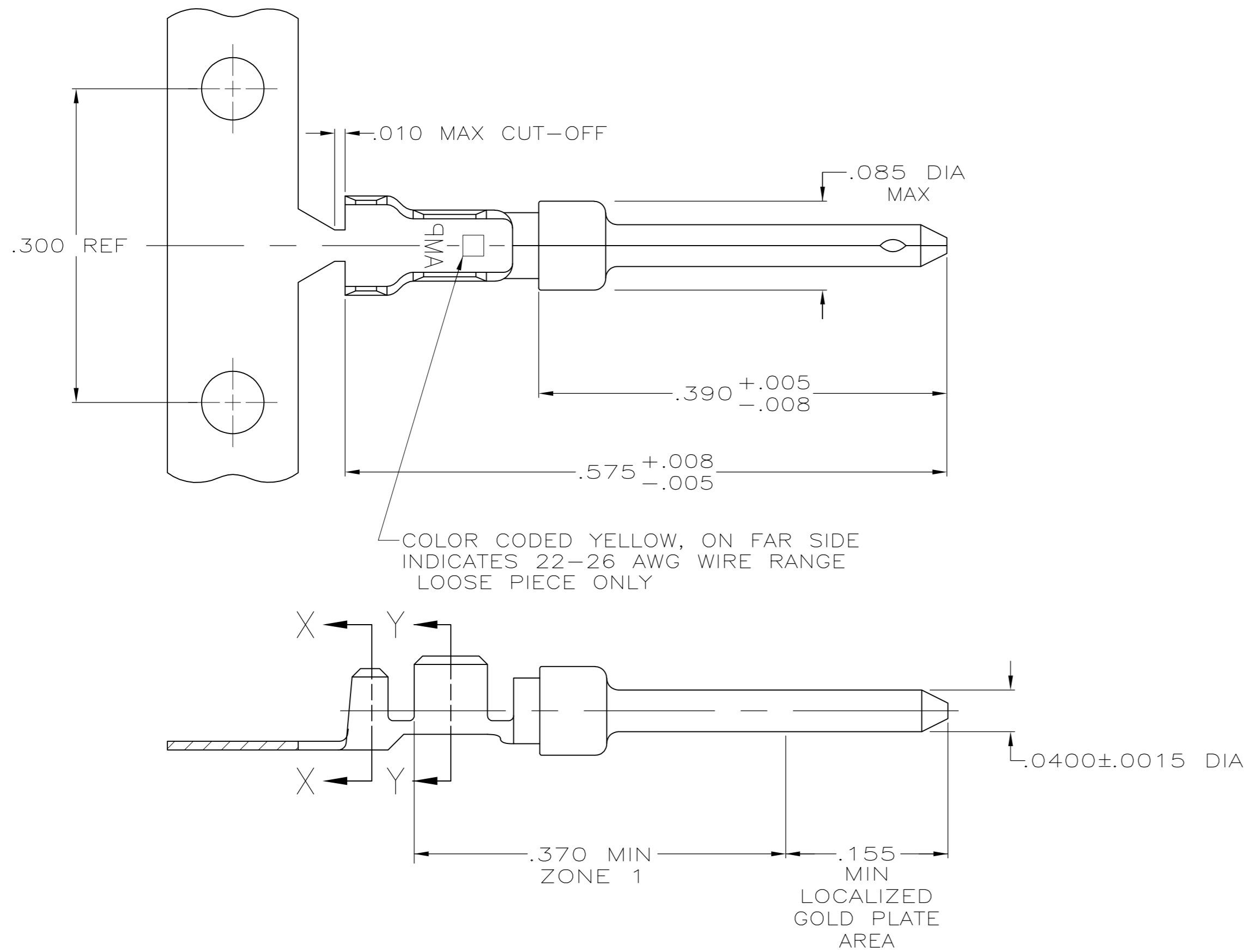
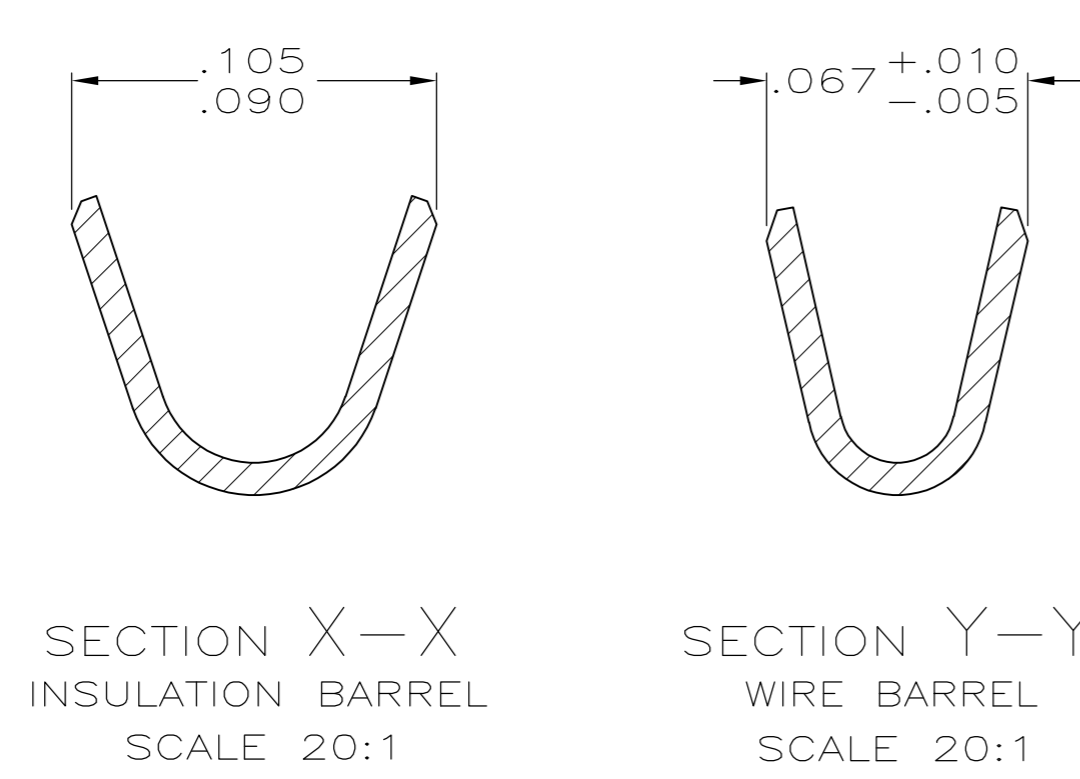


THIS DRAWING IS UNPUBLISHED. RELEASED FOR PUBLICATION  
 © COPYRIGHT - By - ALL RIGHTS RESERVED.

LOC		DIST		REVISIONS			
P	LTR	DESCRIPTION		DATE	DWN	APVD	
GP	00	L	REVISED PER ECO-12-021696	27FEB2013	CJV	SLB	



- 1 FOR MINI-APPLICATOR.
- 2 FOR HAND TOOL USE ONLY.
- 3. WIRE RANGE OF 22-26, INSULATION RANGE OF .040-.050.
- 4. GOLD PLATING MAY NOT APPEAR ON CARRIER STRIP. NICKEL UNDERPLATE COVERS ENTIRE CONTACT.
- 5 GOLD PLATING PER MIL-G-45204. NICKEL PLATING PER QQ-N-290. TIN PLATING PER MIL-T-10727.
- 6 GOLD PLATED IN LOCALIZED GOLD PLATE AREA AS FOLLOWS: .000030 MIN GOLD IN MATED AREA, GOLD FLASH ON REMAINDER OF LOCALIZED GOLD PLATE AREA AND ZONE 1 OF CONTACT, ALL OVER .000050 MIN NICKEL UNDERPLATE.  
OR  
GOLD FLASH OVER PALLADIUM-NICKEL PLATE, .000030 MIN TOTAL IN MATED AREA, GOLD FLASH ON REMAINDER OF LOCALIZED GOLD PLATE AREA AND ZONE 1 OF CONTACT, ALL OVER .000050 MIN NICKEL UNDERPLATE.
- 7 .000001 MIN GOLD ON LOCALIZED GOLD PLATE AREA AND ZONE 1 OVER .000030 MIN NICKEL.
- 8 GOLD PLATED IN LOCALIZED GOLD PLATED AREA, .000001 MIN GOLD IN MATED AREA, TIN PLATED WIRE BARRELS, OVER .000030 NICKEL.
- 9 GOLD PLATED IN LOCALIZED GOLD PLATED AREA, .000030 GOLD IN MATED AREA, TIN PLATED WIRE BARRELS, OVER .000050 NICKEL.



OBSELETE	SMALL PACK	7	2	LOOSE PIECE	1-745254-7
OBSELETE	STANDARD	9	2	LOOSE PIECE	1-745254-6
OBSELETE	STANDARD	9	1	STRIP	1-745254-4
OBSELETE	STANDARD	8	2	LOOSE PIECE	1-745254-3
OBSELETE	STANDARD	8	1	STRIP	1-745254-1
	STANDARD	7	2	LOOSE PIECE	745254-7
	STANDARD	6	2	LOOSE PIECE	745254-6
	STANDARD	7	1	STRIP	745254-3
	STANDARD	6	1	STRIP	745254-2
PACKAGING TYPE	FINISH	USE	TYPE	PART NUMBER	

THIS DRAWING IS A CONTROLLED DOCUMENT. DIMENSIONING AND TOLERANCING PER ASME Y14.5M-2009

DWN S.WELDON 9-9-86  
 CHK C.RICHARD 9-9-86  
 APVD V. KUMAR 9-10-86  
 PRODUCT SPEC  
 APPLICATION SPEC 114-10000

MATERIAL BRASS PER MIL-C-50  
 FINISH 5 SEE TABLE

TE Connectivity  
 PIN CONTACT, SIZE 20 DF, 22-26 AWG, W/.040-.050 DIA INSULATION SUPPORT

SIZE A2 CAGE CODE 00779 DRAWING NO C=745254 RESTRICTED TO -  
 SCALE 10:1 SHEET 1 of 1 REV L

## X-ON Electronics

Largest Supplier of Electrical and Electronic Components

*Click to view similar products for [D-Sub Contacts](#) category:*

*Click to view products by [TE Connectivity](#) manufacturer:*

Other Similar products are found below :

[173112-0723](#) [173112-0393](#) [173112-0389](#) [173112-0750](#) [173112-0912](#) [D02-22-22P-10000](#) [D02-22-26S-10000](#) [FMP009P104](#) [FMP010P104](#)  
[FMP010S104](#) [FMP016P104](#) [FMP051S110](#) [FMX006S128B](#) [131A11039X](#) [131J21029X](#) [132J22039X](#) [132A11029X](#) [132A11049X](#)  
[132C12029X](#) [RMPIR01S02E2RLF](#) [DM53744-1](#) [1757912-1](#) [188582-000](#) [162A11839X](#) [162A11889X](#) [1757913-1](#) [FMP006S110](#)  
[FMP008P104](#) [FMP009S104](#) [FMP139S115](#) [212558-1](#) [D02-22-26P-10000](#) [L17DM53744217](#) [030-1955-000](#) [030-50634](#) [053744-0098](#)  
[601064N004](#) [601098N003](#) [6-745288-2](#) [D-610-10CS2962](#) [86303057NLF](#) [DM537425001NCLF](#) [173112-0045](#) [162A11819X](#) [1731120397](#) [40-](#)  
[9854MP](#) [1-208778-5](#) [1-745288-3](#) [173112-0455](#) [121A05329A](#)