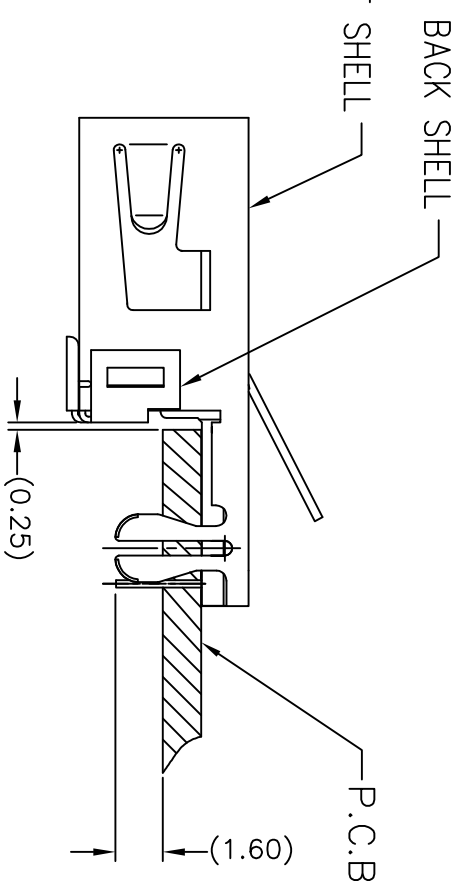
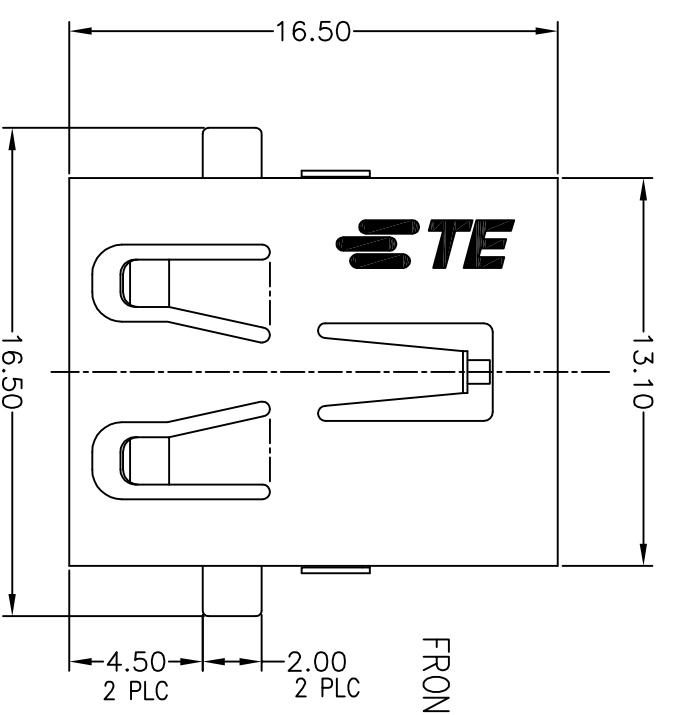


THIS DRAWING IS UNPUBLISHED.
 © COPYRIGHT 2003 BY TYCO ELECTRONICS CORPORATION. ALL RIGHTS RESERVED.

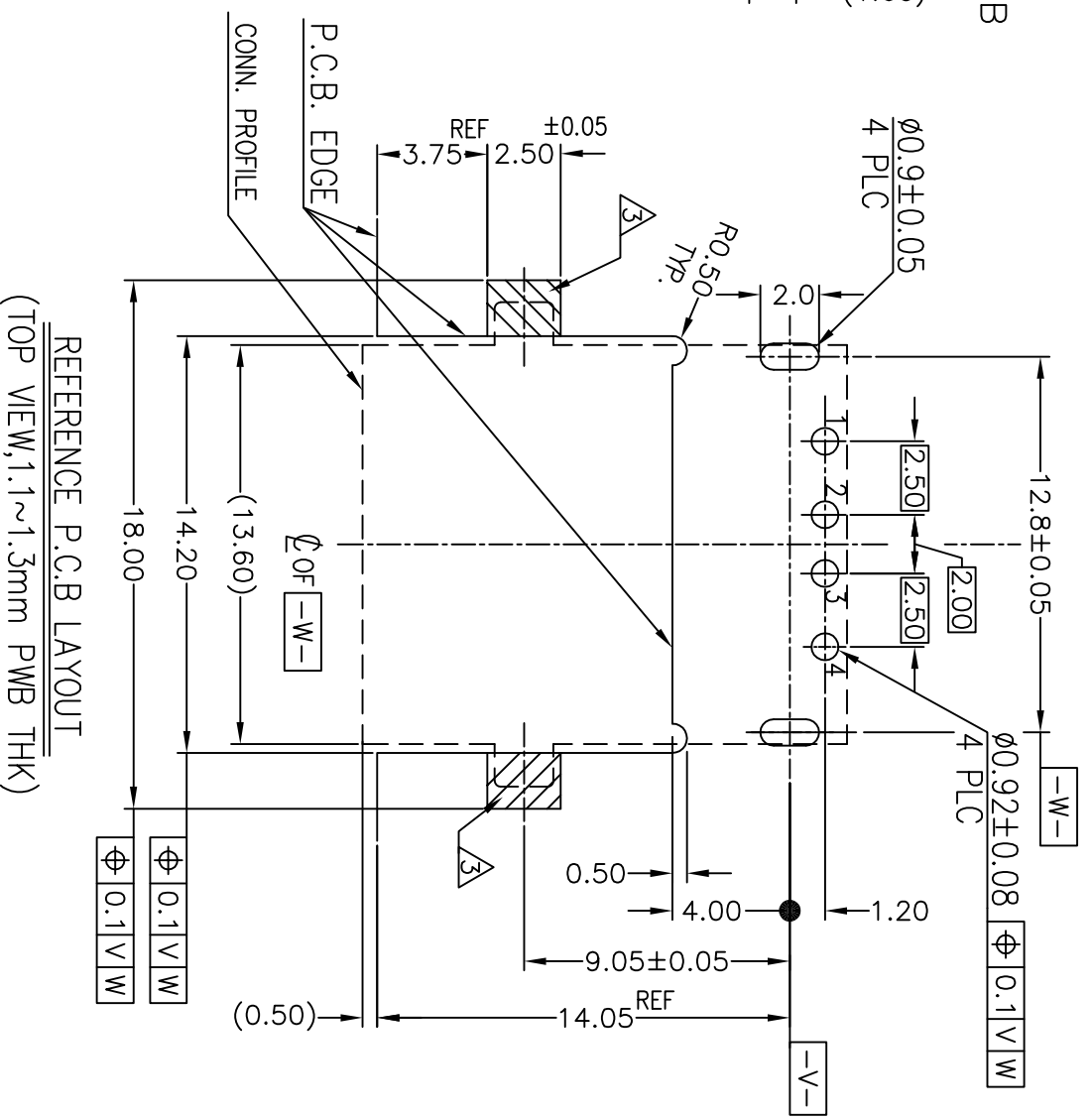
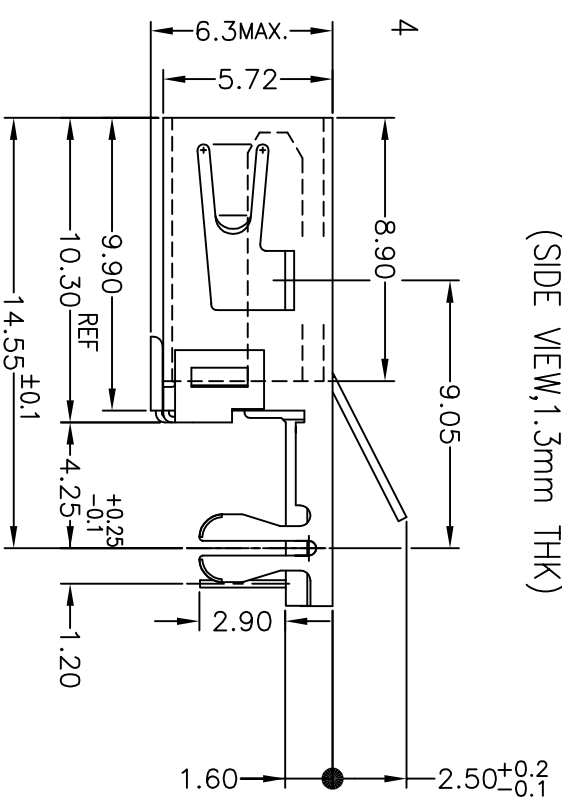
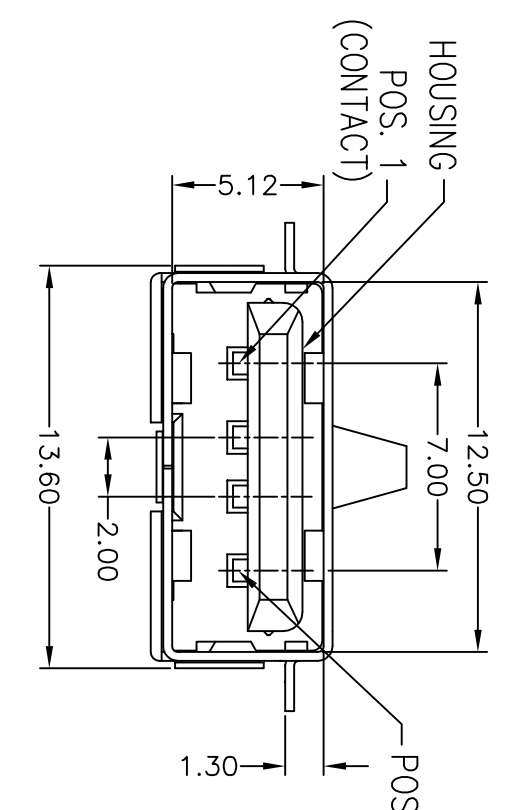
Loc FB DIST

REVISIONS

P	LTR	DESCRIPTION	DATE	DWN	APVD
G1		REVISED(ECR-12-007377)	20APR12	T.Z	S.Y



REFERENCE P.C.B LAYOUT
 (SIDE VIEW, 1.3mm THK)



REFERENCE P.C.B LAYOUT
 (TOP VIEW, 1.1~1.3mm PWB THK)

- 1 MATERIAL
 HOUSING: THERMO-PLASTICS, UL94V-0
 CONTACT: COPPER ALLOY
 FRONT SHELL: COPPER ALLOY
 BACK SHELL: COPPER ALLOY
- 2 FINISH
 CONTACT: NICKEL UNDER PLATE ALL OVER.
 CONTACT AREA: GOLD PLATING
 TINE AREA: Tin PLATING
 FRONT SHELL: Tin PLATING, Ni UNDER PLATING
 BACK SHELL: Ni PLATING
- 3 NO COMPONENT AREA.

THIS DRAWING IS A CONTROLLED DOCUMENT.

DIMENSIONS: mm
 TOLERANCES UNLESS OTHERWISE SPECIFIED:

0 PLC	±
1 PLC	±
2 PLC	± 0.3
3 PLC	±
4 PLC	±
ANGLES	± 3'

DWN S. CHIEN 15MAR04
 CHK T. FUJITSUGI 15MAR04

APVD H. KODAMA 15MAR04
 PRODUCT SPEC 108-5983
 APPLICATION SPEC

WEIGHT
 CUSTOMER DRAWING



TE Connectivity
 USB CONNECTOR RECEPTACLE
 DIP AND OFFSET TYPE

CERAMICS WHITE	1746311-2
BLACK	1746311-1
COLOR	PARTS No.

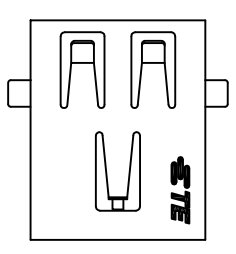
NAME	SIZE	CAGE CODE	DRAWING NO	RESTRICTED TO
A3	00779	G=1746311		

SCALE	SHEET	OF	REV
4:1	1	2	G1

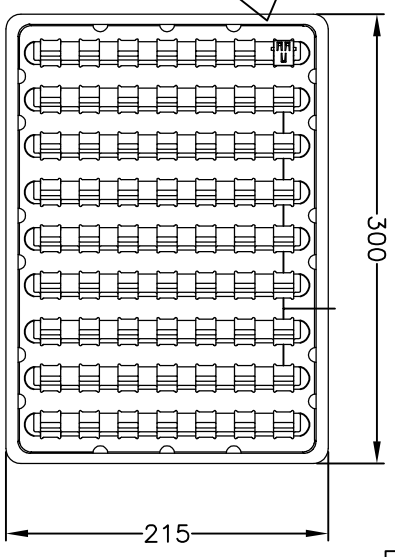
Loc	FB
DIST	

REVISIONS

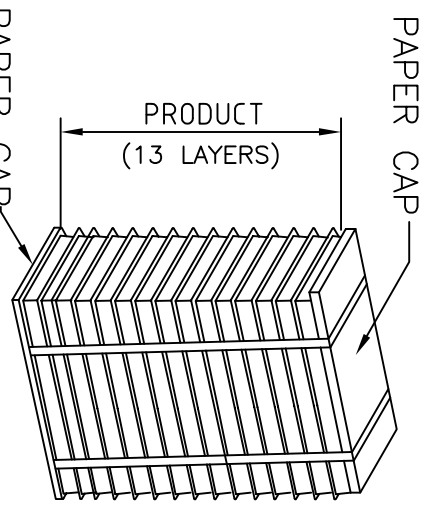
P	LTR	DESCRIPTION	DATE	DWN	APVD
		SEE SHEET 1			



USB CONNECTOR

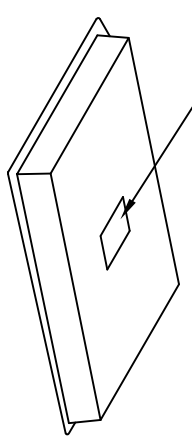


TRAY



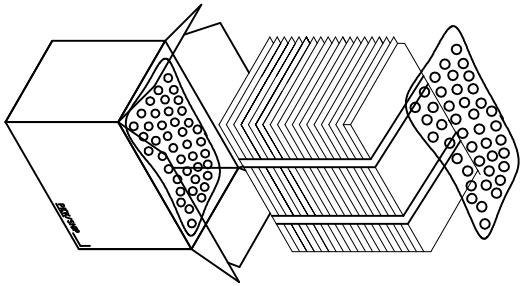
PRODUCT
(13 LAYERS)

PAPER CAP

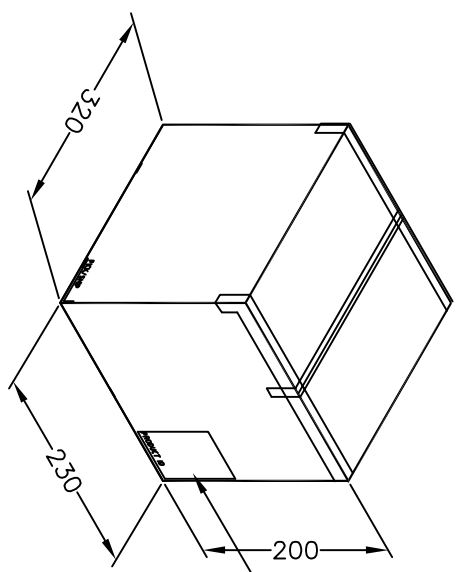


TRAY WITH TOP COVER

INNER LABEL



USB CONNECTOR PACKING METHOD



OUTER LABEL

- NOTES :
1. MATERIAL:
TRAY : PS , T=0.8~1.0
SHIPPING CARTON : CORRUGATED FIBERBOARD
 2. DIMENSION
TRAY : L=300, W=215, H=10
SHIPPING CARTON : L=320, W=230, H=200
 3. QUANTITY:
63 PCS/TRAY
819 PCS/SHIPPING CARTON
 4. WEIGHT:
NET WEIGHT:1.24KG
GROSS WEIGHT:2.53KG

THIS DRAWING IS A CONTROLLED DOCUMENT.

DIMENSIONS: mm

TOLERANCES UNLESS OTHERWISE SPECIFIED:	±
0 PLC	±
1 PLC	±
2 PLC	± 0.3
3 PLC	±
4 PLC ANGLES	±

MATERIAL	
----------	--



TE Connectivity

USB CONNECTOR RECEPTACLE
DIP AND OFFSET TYPE

DWN		NAME	USB CONNECTOR RECEPTACLE DIP AND OFFSET TYPE		
CHK		APVD	SIZE	CAGE CODE	DRAWING NO
			A3	00779	G=1746311
			PRODUCT SPEC		
			APPLICATION SPEC		
			WEIGHT		
			CUSTOMER DRAWING	SCALE	SHEET 2 OF 2
					REV G1

X-ON Electronics

Largest Supplier of Electrical and Electronic Components

Click to view similar products for [USB Connectors](#) category:

Click to view products by [TE Connectivity](#) manufacturer:

Other Similar products are found below :

[65-647-8-BK-BU](#) [950](#) [952](#) [E8144-B01021-L](#) [A-USB B-TOP-C](#) [MUSBA511N5](#) [MUSBD11135](#) [217450-1](#) [KMBVX-TH-5S-B30](#) [896-30-004-00-000000](#) [KUSBVX-BS1N-W30](#) [KUSBX-AP-KIT-SCBLK](#) [KUSBX-AS2N-W](#) [KUSBX-SMT2AP1S-W](#) [KUSBX-SMT2AP1S-W30](#) [935](#) [957](#) [30-498-6](#) [17-210051](#) [1734082-1](#) [30-1574](#) [30-470](#) [30-489](#) [30-541](#) [30-572-3](#) [A-USB A-2P-C](#) [MIKROE-1451](#) [USBFTV2PEM2G](#) [USBFTVC6ZN](#) [KUSBX-AS2N-W30](#) [KUSBX-SLAS1N-W](#) [KUSBX-SMT-AS1N-W30](#) [4689-1](#) [1-1734084-2](#) [E8110-001-01](#) [33UBARS1-04SW11](#) [33UBAR-04SW11](#) [USBF21ZNSCC](#) [USBBFTV6ZC](#) [10135326-001LF](#) [USB-A-S-F-B-VT](#) [925](#) [4198](#) [690-024-633-031](#) [KUSBEX-BSFS1N-W](#) [USBFTVC6MRG](#) [UA-20BMFA-SL8001](#) [17-250101](#) [USBFTVC7ZC](#) [USBFTV75NF459](#)