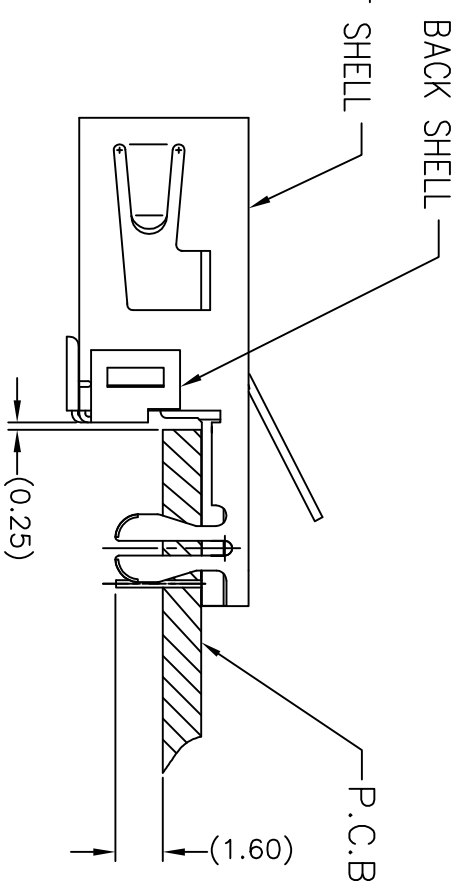
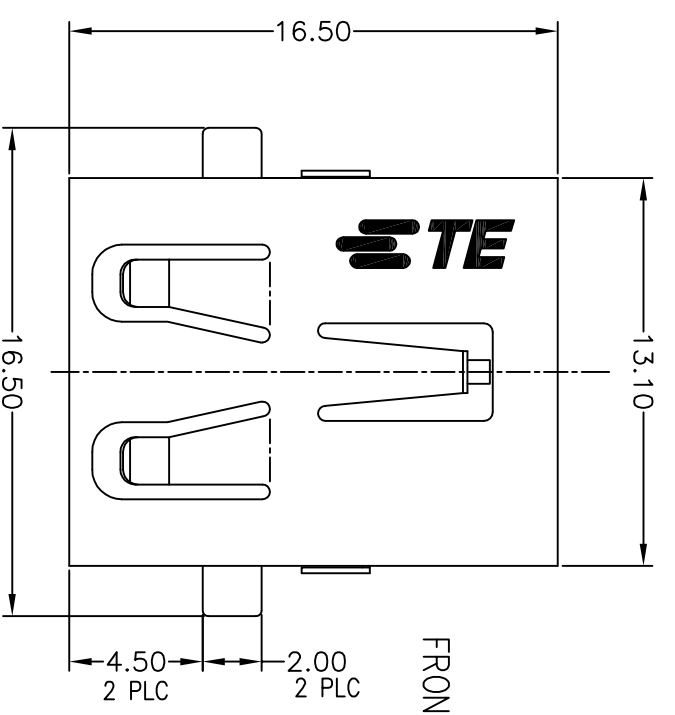


THIS DRAWING IS UNPUBLISHED.
 © COPYRIGHT 2003 BY TYCO ELECTRONICS CORPORATION. ALL RIGHTS RESERVED.

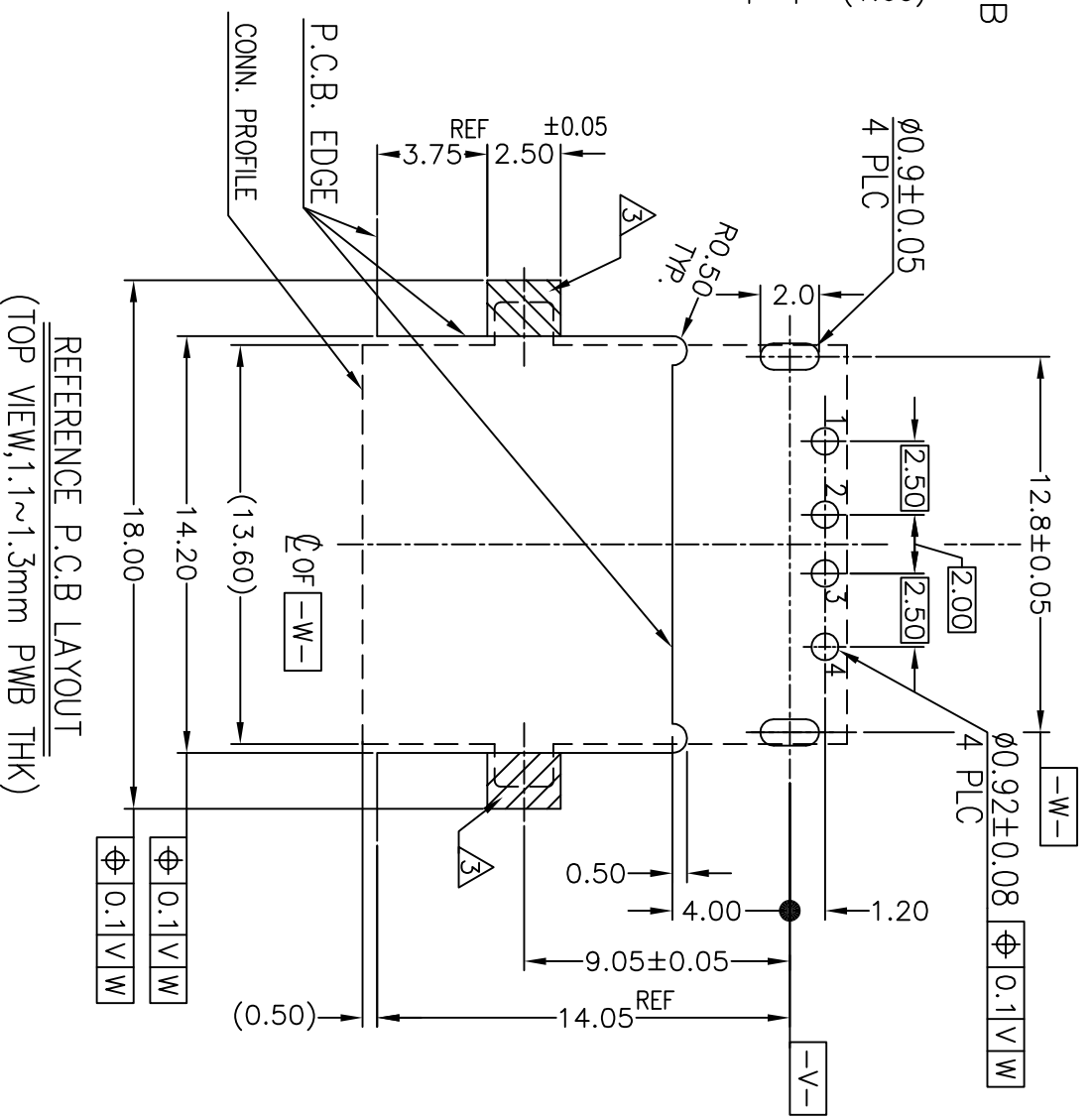
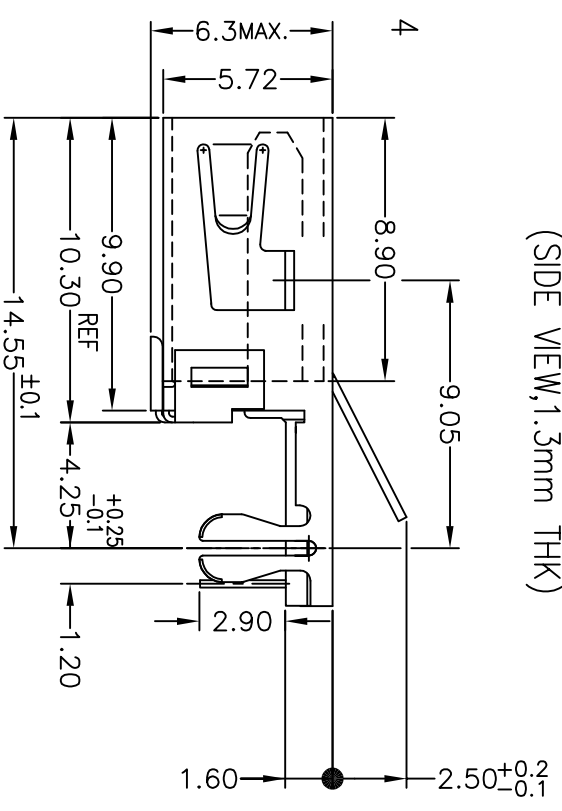
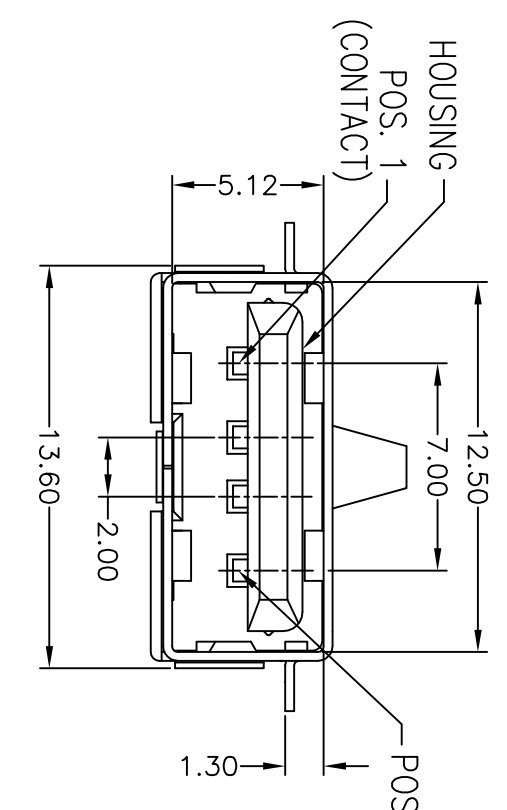
Loc FB DIST

REVISIONS

P	LTR	DESCRIPTION	DATE	DWN	APVD
G1		REVISED(ECR-12-007377)	20APR12	T.Z	S.Y



REFERENCE P.C.B LAYOUT
 (SIDE VIEW, 1.3mm THK)



REFERENCE P.C.B LAYOUT
 (TOP VIEW, 1.1~1.3mm PWB THK)

- 1 MATERIAL
 HOUSING: THERMO-PLASTICS, UL94V-0
 CONTACT: COPPER ALLOY
 FRONT SHELL: COPPER ALLOY
 BACK SHELL: COPPER ALLOY
- 2 FINISH
 CONTACT: NICKEL UNDER PLATE ALL OVER.
 CONTACT AREA: GOLD PLATING
 TINE AREA: Tin PLATING
 FRONT SHELL: Tin PLATING, Ni UNDER PLATING
 BACK SHELL: Ni PLATING
- 3 NO COMPONENT AREA.

THIS DRAWING IS A CONTROLLED DOCUMENT.

DIMENSIONS:	TOLERANCES UNLESS OTHERWISE SPECIFIED:
mm	
0 PLC	±
1 PLC	±
2 PLC	± 0.3
3 PLC	±
4 PLC	±
ANGLES	± 3°

DWN S. CHIEN 15MAR04
 CHK T. FUJITSUGI 15MAR04



TE Connectivity

CERAMICS WHITE	1746311-2
BLACK	1746311-1
COLOR	PARTS No.

APVD H. KODAMA 15MAR04
 PRODUCT SPEC 108-5983
 APPLICATION SPEC

NAME USB CONNECTOR RECEPTACLE
 DIP AND OFFSET TYPE

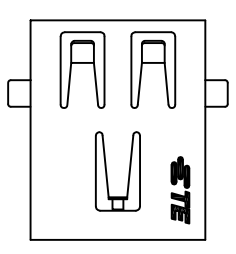
APVD H. KODAMA 15MAR04	NAME	SIZE	CAGE CODE	DRAWING NO	RESTRICTED TO
108-5983	USB CONNECTOR RECEPTACLE DIP AND OFFSET TYPE	A3	00779	1746311	
CUSTOMER DRAWING		SCALE	4:1	SHEET	1 OF 2
				REV	G1

THIS DRAWING IS UNPUBLISHED.
RELEASED FOR PUBLICATION
ALL RIGHTS RESERVED.
© COPYRIGHT 2003 BY TCO ELECTRONICS CORPORATION.

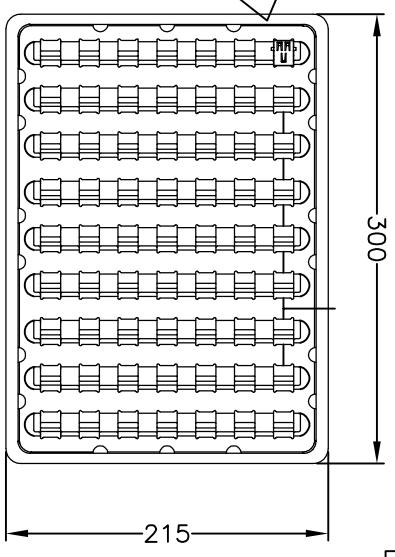
Loc FB
DIST

REVISIONS

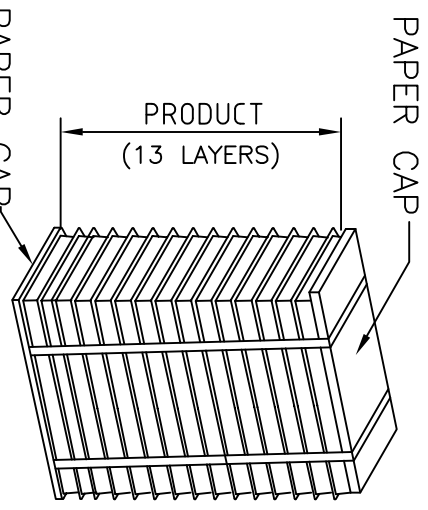
P	LTR	DESCRIPTION	DATE	DWN	APVD
		SEE SHEET 1			



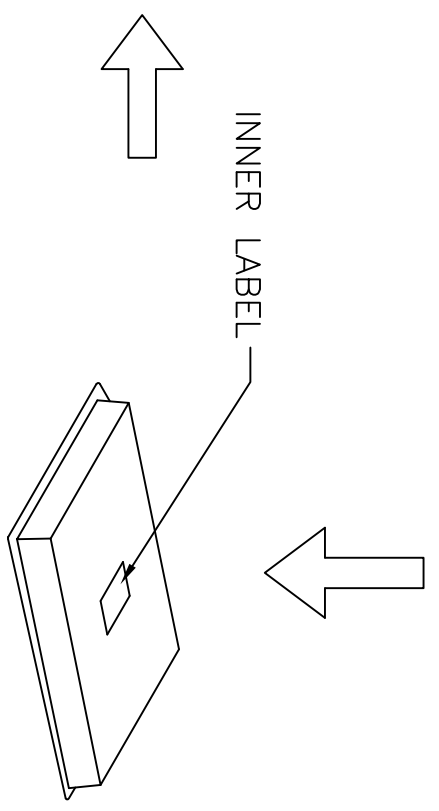
USB CONNECTOR



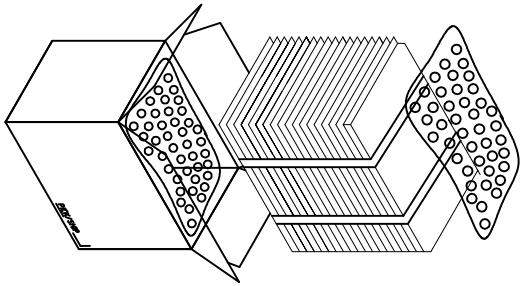
TRAY



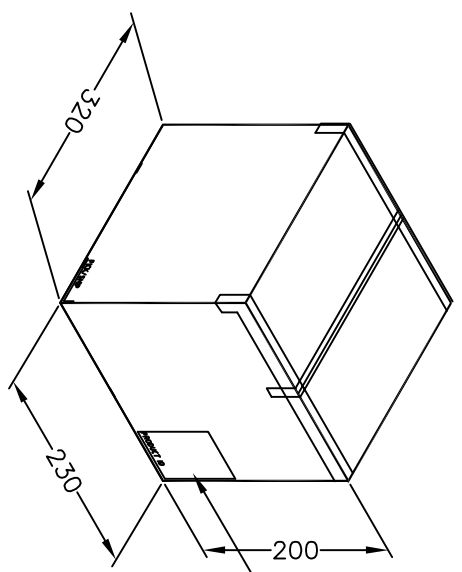
PAPER CAP



TRAY WITH TOP COVER



USB CONNECTOR PACKING METHOD



THIS DRAWING IS A CONTROLLED DOCUMENT.

DIMENSIONS: mm

TOLERANCES UNLESS OTHERWISE SPECIFIED:	FINISH
0 PLC ±	4. PLC ANGLES ±
1 PLC ±	
2 PLC ± 0.3	
3 PLC ±	

MATERIAL

NOTES :

1. MATERIAL:
TRAY : PS , T=0.8~1.0
SHIPPING CARTON : CORRUGATED FIBERBOARD
2. DIMENSION
TRAY : L=300, W=215, H=10
SHIPPING CARTON : L=320, W=230, H=200
3. QUANTITY:
63 PCS/TRAY
819 PCS/SHIPPING CARTON
4. WEIGHT:
NET WEIGHT:1.24KG
GROSS WEIGHT:2.53KG



TE Connectivity

USB CONNECTOR RECEPTACLE
DIP AND OFFSET TYPE

DMN	CHK	APVD	NAME
			USB CONNECTOR RECEPTACLE DIP AND OFFSET TYPE

PRODUCT SPEC	APPLICATION SPEC	WEIGHT	SIZE	CAGE CODE	DRAWING NO	SCALE	SHEET	REV
			A3	00779	G=1746311		2 OF 2	G1

X-ON Electronics

Largest Supplier of Electrical and Electronic Components

Click to view similar products for [USB Connectors](#) category:

Click to view products by [TE Connectivity](#) manufacturer:

Other Similar products are found below :

[65-647-8-BK-BU](#) [950](#) [952](#) [E8144-B01021-L](#) [A-USB B-TOP-C](#) [MUSBA511N5](#) [MUSBD11135](#) [217450-1](#) [KMBVX-TH-5S-B30](#) [896-30-004-00-000000](#) [KUSBVX-BS1N-W30](#) [KUSBX-AP-KIT-SCBLK](#) [KUSBX-AS2N-W](#) [KUSBX-SMT2AP1S-W](#) [KUSBX-SMT2AP1S-W30](#) [935](#) [957](#) [30-498-6](#) [SK-60A-2](#) [17-210051](#) [1734082-1](#) [30-1574](#) [30-470](#) [30-489](#) [30-541](#) [30-572-3](#) [A-USB A-2P-C](#) [MIKROE-1451](#) [USBFTV2PEM2G](#) [USBFTVC6ZN](#) [KUSBX-AS2N-W30](#) [KUSBX-SLAS1N-W](#) [KUSBX-SMT-AS1N-W30](#) [4689-1](#) [1-1734084-2](#) [E8110-001-01](#) [33UBARS1-04SW11](#) [33UBAR-04SW11](#) [USBF21ZNSCC](#) [USBBFTV6ZC](#) [10135326-001LF](#) [USB-A-S-F-B-VT](#) [925](#) [4198](#) [690-024-633-031](#) [KUSBEX-BSFS1N-W](#) [USBFTVC6MRG](#) [UA-20BMFA-SL8001](#) [17-250101](#) [USBFTVC7ZC](#)