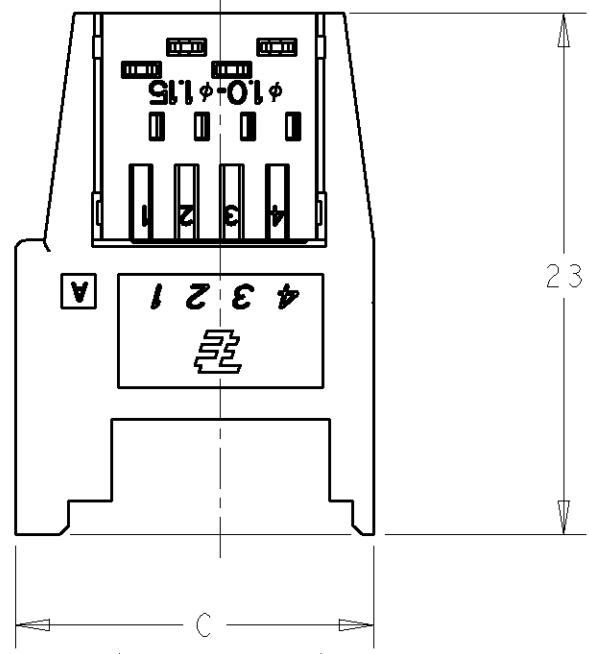


THIS DRAWING IS UNPUBLISHED. RELEASED FOR PUBLICATION  
 © COPYRIGHT ALL RIGHTS RESERVED.

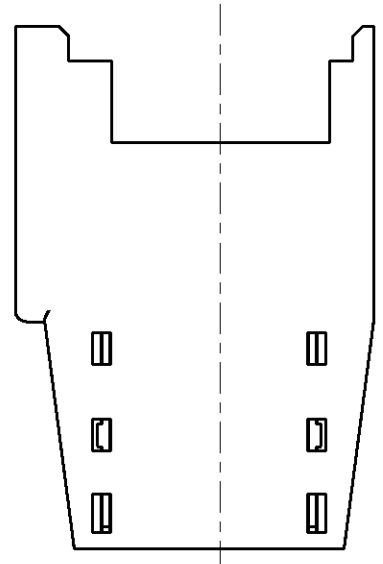
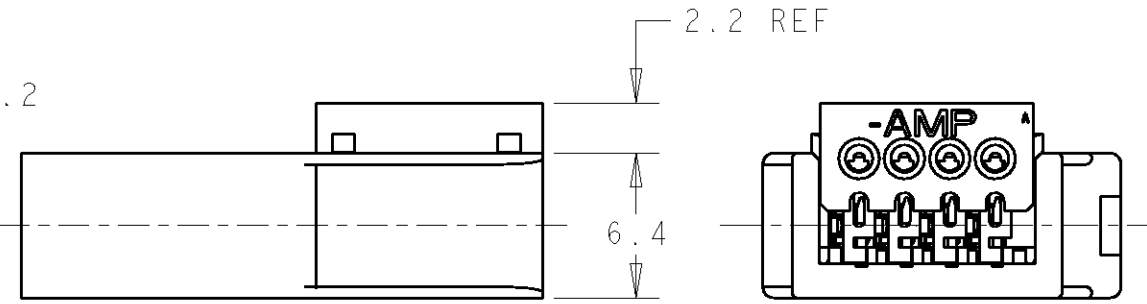
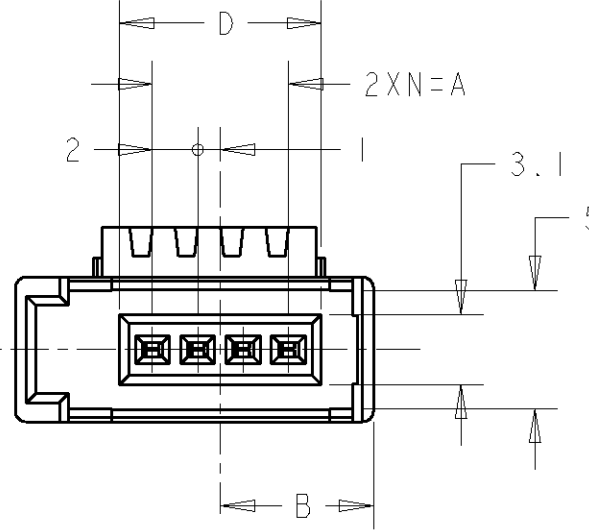
LOC	DIST	REVISIONS					
		P	LTR	DESCRIPTION	DATE	DWN	APVD
J	-	A1		REVISED PER ECO-11-005030	24MAR11	RK	HMR



1746741-4: AS SHOWN  
 1746741-4: 本図

- 1. 材料: RELAY HOUSING: ガラス入り熱可塑性ポリエステル樹脂、94V-0、黒  
 HOLD HOUSING: ポリカーボネイト 94V-0 黄色: 0-, 赤色: 1-, 青色: 2-  
 コンタクト: 銅合金
- 2. メッキ: コンタクト: 全面ニッケルメッキ下地 1.27μm MIN  
 接点部: 金メッキ 0.2μm MIN

- 1. MATERIAL: RELAY HOUSING: GLASS FILED THERMOPLASTIC, 94V-0, BLACK.  
 HOLD HOUSING: PC, 94V-0, YELLOW: 0-, RED: 1-, BLUE: 2-.  
 CONTACT: COPPER ALLOY.
- 2. FINISH: UNDERPLATE: Ni 1.27μm min.  
 CONTACT AREA: Au 0.2μm min.



<Table of Insulation Dia (Cable suitable for e-CON.)>  
 <被覆外径一覧表 (e-CON 適応電線)>

RED	φ0.90~1.00	1-1746741-□	SEE SHEET 1
YELLOW	φ1.00~1.15	1746741-□	SEE SHEET 1
BLUE	φ1.15~1.35	2-1746741-□	SEE SHEET 1
GREEN	φ1.35~1.60	4-1746741-□	SEE SHEET 2
HOLD HSG COLOR	INSULATION DIA	P/N	SHEET No

BLUE	16.9	23.8	10.75	14	7	8	2-1746741-8
RED	16.9	23.8	10.75	14	7	8	1-1746741-8
YELLOW	16.9	23.8	10.75	14	7	8	1746741-8
BLUE	12.9	19.8	8.75	10	5	6	2-1746741-6
RED	12.9	19.8	8.75	10	5	6	1-1746741-6
YELLOW	12.9	19.8	8.75	10	5	6	1746741-6
BLUE	8.9	15.8	6.75	6	3	4	2-1746741-4
RED	8.9	15.8	6.75	6	3	4	1-1746741-4
YELLOW	8.9	15.8	6.75	6	3	4	1746741-4
BLUE	6.9	13.8	5.75	4	2	3	2-1746741-3
RED	6.9	13.8	5.75	4	2	3	1-1746741-3
YELLOW	6.9	13.8	5.75	4	2	3	1746741-3
HOLD HSG COLOR	D	C	B	A	N	POS	P/N

DIMENSIONS: 単位: 概 mm	TOLERANCES UNLESS OTHERWISE SPECIFIED: 一般公差 ±0.2 0-PLC ± 1-PLC ± 2-PLC ± 3-PLC ± 4-PLC ± ANGLES ±3°	DWN J. AKASAKA 02FEB2004
		CHK D. MITSUGI 02FEB2004
MATERIAL 材料	FINISH 仕上	APVD S. MANABE 02FEB2004
		PRODUCT SPEC 108-5765
SEE NOTE	SEE NOTE	APPLICATION SPEC 取付適用規格
CUSTOMER DRAWING		WEIGHT -

WIRE RANGE 総合電線断面積 - INSULATION DIA 被覆外径 -

**STE** TE Connectivity

NAME 名称 SOCKET ASSY E-CON RITS CONN.

SIZE A3 CAGE CODE 00779 DRAWING NO 番号 1746741 RESTRICTED TO -

SCALE 尺度 3:1 SHEET 1 OF 2 REV A1

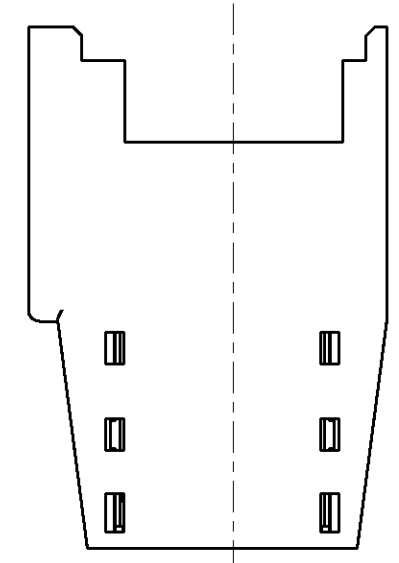
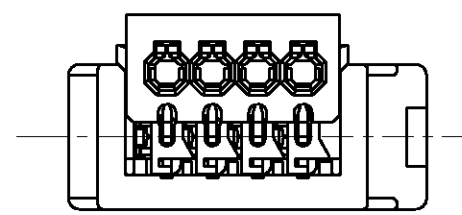
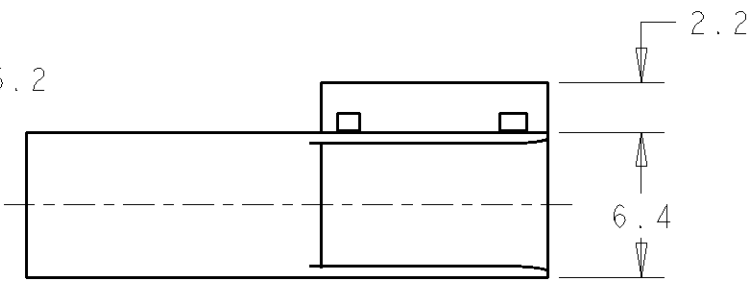
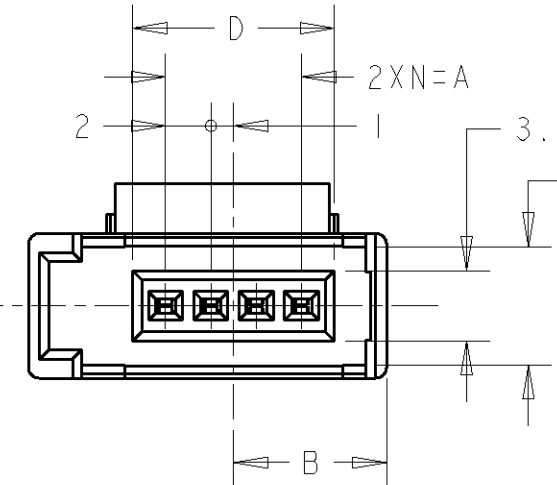
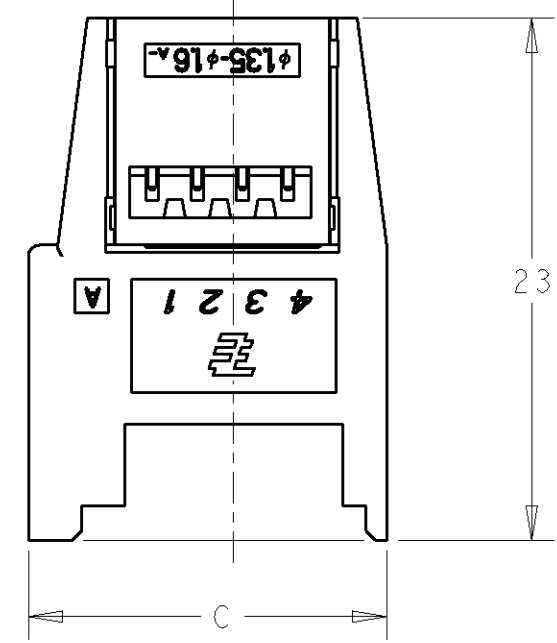
THIS DRAWING IS UNPUBLISHED. RELEASED FOR PUBLICATION  
 © COPYRIGHT ALL RIGHTS RESERVED.

LOC	DIST	REVISIONS				
P	LTR	DESCRIPTION	DATE	DWN	APVD	
J	-	SEE SHEET 1	-	-	-	

4-1746741-4: AS SHOWN  
 4-1746741-4: 本図

- 1. 材料: RELAY HOUSING: ガラス入り熱可塑性ポリエステル樹脂, 94V-0, 黒  
 HOLD HOUSING: ポリカーボネイト 94V-0 緑色: 4-  
 コンタクト: 銅合金
- 2. メッキ: コンタクト: 全面ニッケルメッキ下地 1.27μm MIN  
 接点部: 金メッキ 0.2μm MIN

- 1. MATERIAL: RELAY HOUSING: GLASS FILED THERMOPLASTIC, 94V-0, BLACK.  
 HOLD HOUSING: PC, 94V-0, YELLOW: 0-, RED: 1-, BLUE: 2-.
- 2. FINISH: UNDERPLATE: Ni 1.27μm min.  
 CONTACT AREA: Au 0.2μm min.



GREEN	16.9	23.8	10.75	14	7	8	4-1746741-8
	12.9	19.8	8.75	10	5	6	4-1746741-6
	8.9	15.8	6.75	6	3	4	4-1746741-4
	6.9	13.8	5.75	4	2	3	4-1746741-3
HOLD HSG COLOR	D	C	B	A	N	POS	P/N

DIMENSIONS: mm		TOLERANCES UNLESS OTHERWISE SPECIFIED:		DWN J.AKASAKA 02FEB2004		TE Connectivity			
		0 PLC ±- 1 PLC ±- 2 PLC ±- 3 PLC ±- 4 PLC ±- ANGLES ±-		CHK - APVD - PRODUCT SPEC - APPLICATION SPEC - WEIGHT -				NAME SOCKET ASSY E-CON RITS CONN.	
MATERIAL SEE NOTE		FINISH SEE NOTE		CUSTOMER DRAWING		SIZE A3	CAGE CODE 00779	DRAWING NO C-1746741	RESTRICTED TO -
SCALE 3:1						SHEET 2 OF 2		REV A1	

## X-ON Electronics

Largest Supplier of Electrical and Electronic Components

*Click to view similar products for [Power to the Board](#) category:*

*Click to view products by [TE Connectivity](#) manufacturer:*

Other Similar products are found below :

[6450171-4](#) [6450552-7](#) [6600323-8](#) [6643429-1](#) [6646040-2](#) [6651939-1](#) [6766604-1](#) [120959-1](#) [1393557-2](#) [1393532-2](#) [1393532-3](#) [1393532-4](#)  
[1393557-1](#) [1600812-5](#) [1-6450861-2](#) [1744132-7](#) [1761122-1](#) [1766250-1](#) [1892109-1](#) [2-6450860-5](#) [2-6450870-0](#) [1-6450161-4](#) [1-6450850-6](#) [1-](#)  
[6450869-6](#) [1645526-2](#) [1-6600130-0](#) [2005243-2](#) [377-0020-11130](#) [TE34-12-16P-F0](#) [51700-10201602AALF](#) [5-6450830-6](#) [5646956-4](#) [377-](#)  
[0080-11131A](#) [4-6450830-9](#) [4-6600333-3](#) [10125416-4050LF](#) [10130248-005LF](#) [6600320-3](#) [3-6450860-5](#) [1888123-2](#) [6450166-1](#) [6643978-1](#)  
[6766605-1](#) [701-15-02109](#) [N11444](#) [6651938-1](#) [6450810-7](#) [46437-1112](#) [1-1589677-8](#) [5646956-5](#)