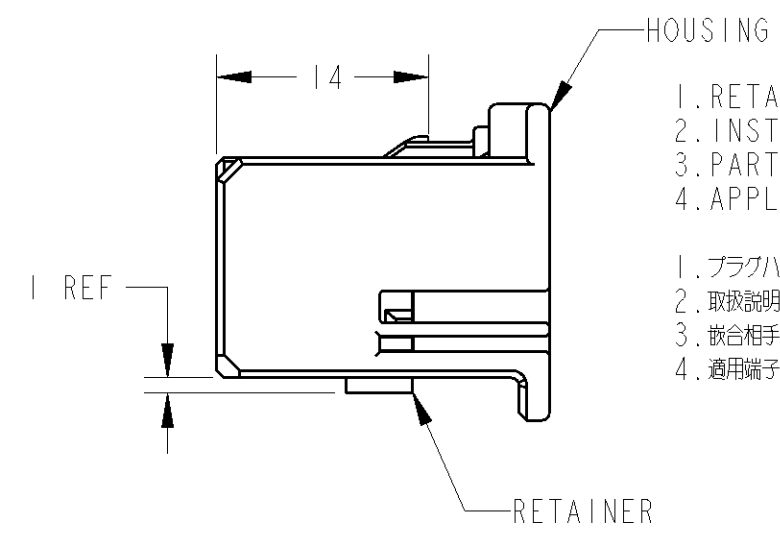
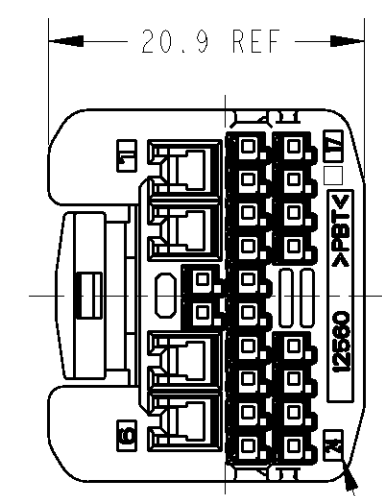
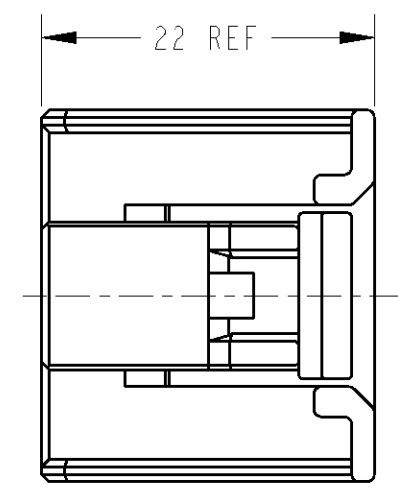
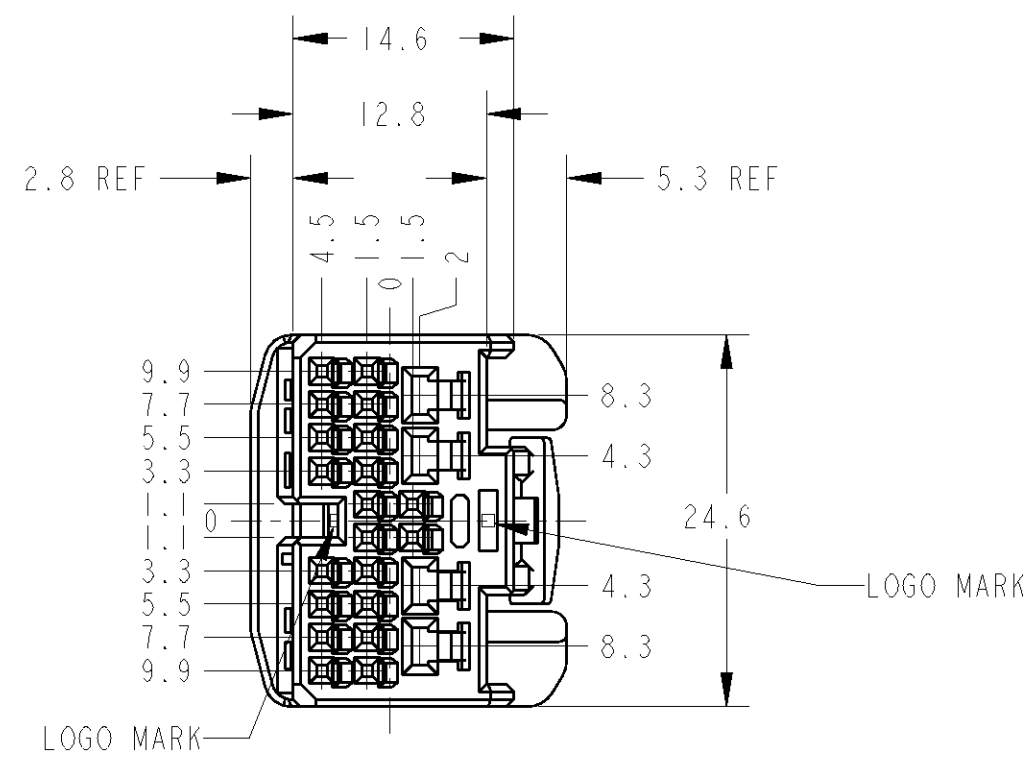


THIS DRAWING IS UNPUBLISHED. RELEASED FOR PUBLICATION 20
 © COPYRIGHT 20 BY TYCO ELECTRONICS CORPORATION. ALL RIGHTS RESERVED.

P	LTR	DESCRIPTION	ECN	DATE	DWN	APVD
	01	REVISED	ECR-05-003756	09MAY05	YM	HY
	02	ADDED -3	ECR-06-003655	14FEB06	TS	KB
	03	REVISED	ECR-06-006021	13MAR06	TS	KB
	A	REVISED	ECR-10-007503	20APR10	TS	KB



1. RETAINER SHOULD BE PRE-ASSEMBLED CONDITION TO HOUSING.
 2. INSTRUCTION SHEET NO. 411-78080.
 3. PART NUMBER OF CAP HOUSING TO BE MATED : SEE TABLE-1
 4. APPLIED TERMINALS : SEE TABLE-2
1. プラグハウジングにリテーナを仮係止して出荷される
 2. 取扱説明書NO. 411-78080
 3. 嵌合相手型番 : TABLE-1参照
 4. 適用端子 : TABLE-2参照

TABLE-2

SIGNAL 0.64111	TIN	20	TERMINAL PART NO. 端子型番	APPLICABLE WIRE RANGE 適用電線
	SELECTIVE GOLD		1674311-1	AVSS/CAVS/CAVUS/AVSSH-f 0.3~0.5mm ²
POWER 09011	TIN	4	S : SEE TABLE-3	CAVUS 0.3~0.5mm ² CAVS/AVSS 0.3~0.5mm ² AVS 0.3~0.5mm ²
			M : SEE TABLE-3	CAVUS 0.5~1.25mm ² CAVS/AVSS 0.5~1.25mm ² AVS 0.5~1.25mm ²
			L : SEE TABLE-3	AVSS 2mm ²

TABLE-1

POS 極数	CAP ASSEMBLY PART NO. キャップ番号
80	1318751
50	1318750

PACKING STYLE 梱包形態	COLOR	PART NUMBER
PAPER BOX タンボール	GRAY	1746864-3
PLASTIC BAG ビニール袋	BLACK	1746864-2
PAPER BOX タンボール	NATURAL	1746864-1
OUTER 外装	INNER 内装	

TABLE-3

TERMINAL MAKER 端子メーカー	SIZE サイズ		
	S	M	L
YAZAKI PARTS CO., LTD. 矢崎部品(株)殿	7116-4020	7116-4021	7116-4022
SUMITOMO WIRING SYSTEMS, LTD. 住友電装(株)殿	8240-4882	8240-4892	8240-4942
TOKAI RIKI CO., LTD. (株)東海理化電機製作所殿	4R1190-0004E	4R1191-0004E	4R1192-0005F

THIS DRAWING IS A CONTROLLED DOCUMENT FOR TYCO ELECTRONICS CORPORATION
 IT IS SUBJECT TO CHANGE AND THE CONTROLLING ENGINEERING ORGANIZATION
 SHOULD BE CONTACTED FOR THE LATEST REVISION.

DIMENSIONS: 単位: 概 mm	TOLERANCES UNLESS OTHERWISE SPECIFIED: 一般公差 ±0.3 0-PLC ± 1-PLC ±0.1 2-PLC ±0.01 3-PLC ±0.001 4-PLC ±0.0001 ANGLES ±3'00"
MATERIAL 材料 PBT	FINISH 仕上 SEE TABLE

DWN Y. MITO 13AUG04	Tyco Electronics Corporation Kawasaki, Japan	
CHK H. YAMAGAMI 13AUG04	NAME 名称 0.64111/2.311 SEREIS CONNECTOR 24 POSITION PLUG ASSEMBLY	
APVD S. ISOHATA 13AUG04	PRODUCT SPEC 製品規格 108-5953	RESTRICTED TO
APPLICATION SPEC 取付適用規格 114-5329	SIZE A3	CAGE CODE 00779
WEIGHT 5.75 g	DRAWING NO C=1746864	SCALE 尺度 2:1
CUSTOMER DRAWING	SHEET OF 1	REV A

X-ON Electronics

Largest Supplier of Electrical and Electronic Components

Click to view similar products for [Automotive Connectors](#) category:

Click to view products by [TE Connectivity](#) manufacturer:

Other Similar products are found below :

[003-018-000](#) [60403001](#) [60993906-B](#) [M902-2131](#) [M902-2161](#) [72.330.1035.1](#) [73.353.4028.0](#) [F119300-B](#) [F166900](#) [F258300-B](#) [F358300-B](#)
[F407400](#) [F444110](#) [F487000](#) [F509500B-B](#) [827153-1](#) [8N1515-32-24P](#) [9-1326729-8](#) [925474-1](#) [928905-1](#) [964562-4](#) [968782-1](#) [GT17SA-8DS-](#)
[HU](#) [98891-1012](#) [98947-1016](#) [12004147](#) [12004475-L](#) [12010290](#) [12010309-B](#) [12015454](#) [12020219-B](#) [12020308](#) [12041318-B](#) [12052225-L](#)
[12052466](#) [12059125](#) [12064869](#) [12004327-B](#) [12010503-B](#) [12015308](#) [12015384](#) [12015909](#) [1-21030-1](#) [12041254](#) [12041318](#) [12047946-B](#)
[12047957](#) [12047957-L](#) [12059473](#) [12066261](#)