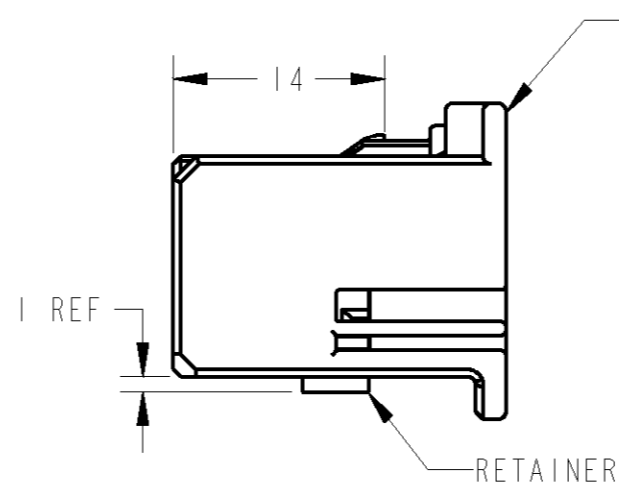
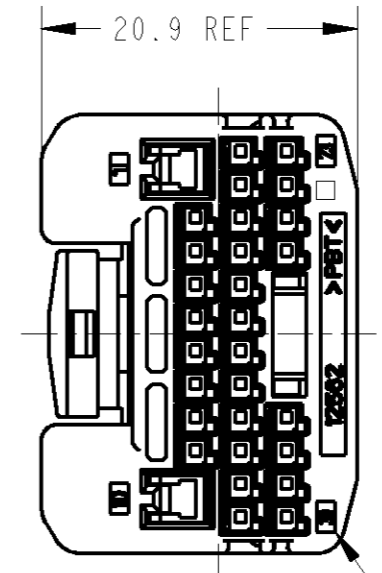
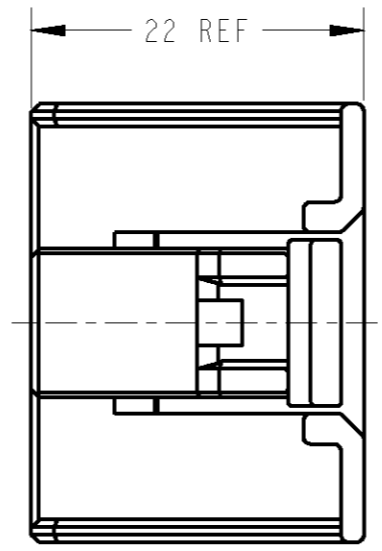
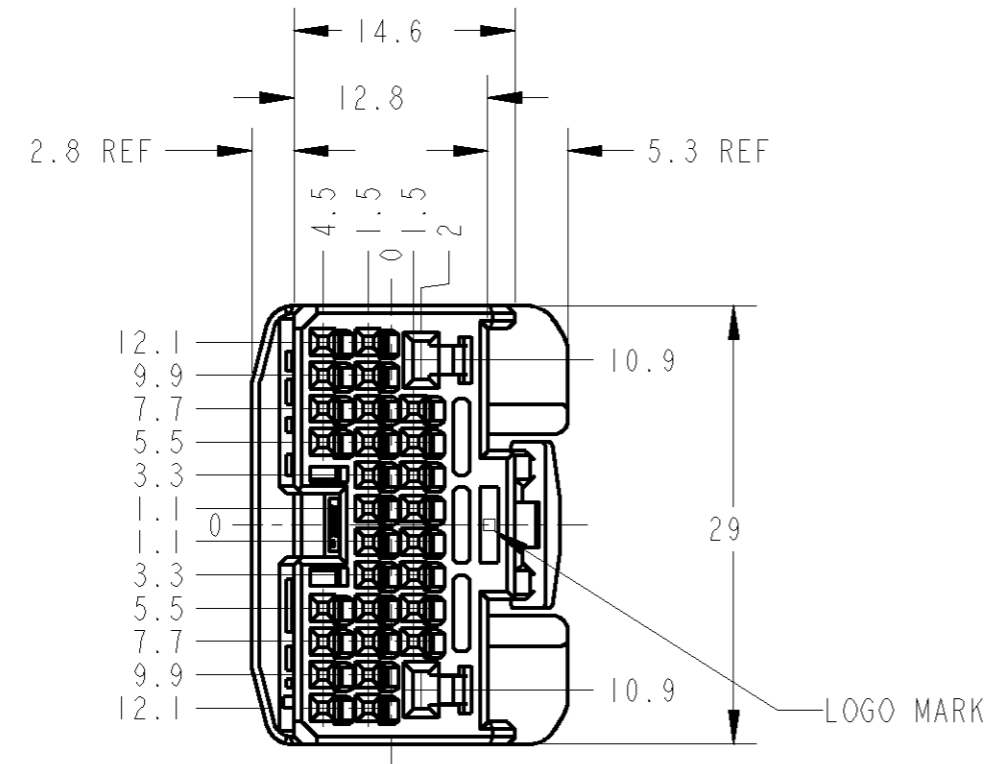


THIS DRAWING IS UNPUBLISHED. RELEASED FOR PUBLICATION 20  
 © COPYRIGHT 20 BY TYCO ELECTRONICS CORPORATION. ALL RIGHTS RESERVED.

P	LTR	DESCRIPTION	ECN	DATE	DWN	APVD
	0	RELEASED	FJA0-387-04	13AUG04	YM	HY
	01	ADD -2	ECR-05-011611	22SEP05	AY	HY
	A	REVISED	ECR-10-007504	26MAY10	TS	KB



1. RETAINER SHOULD BE PRE-ASSEMBLED CONDITION TO HOUSING.
2. INSTRUCTION SHEET NO.411-78080.
3. PART NUMBER OF CAP HOUSING TO BE MATED : SEE TABLE-1
4. APPLIED TERMINALS : SEE TABLE-2

1. プラグハウジングにリテーナを仮係止して出荷される
2. 取扱説明書NO. 411-78080
3. 嵌合相手型番 : TABLE-1参照
4. 適用端子 : TABLE-2参照

TABLE-2

SIGNAL	TIN	POS 極数	TERMINAL PART NO. 端子型番	APPLICABLE WIRE RANGE 適用電線
0.64111	TIN	28	1674311-1	AVSS/CAVS/CAVUS/AVSSH-f 0.3~0.5mm <sup>2</sup>
	SELECTIVE GOLD		1674311-2	
POWER 09011	TIN	2	S : SEE TABLE-3	CAVUS 0.3~0.5mm <sup>2</sup> CAVS/AVSS 0.3~0.5mm <sup>2</sup> AVS 0.3~0.5mm <sup>2</sup>
			M : SEE TABLE-3	CAVUS 0.5~1.25mm <sup>2</sup> CAVS/AVSS 0.5~1.25mm <sup>2</sup> AVS 0.5~1.25mm <sup>2</sup>
			L : SEE TABLE-3	AVSS 2mm <sup>2</sup>

TABLE-1

POS 極数	CAP ASSEMBLY PART NO. キャップ番号
80	1318751

PAPER BOX タンボール	PLASTIC BAG ビニール袋	BLACK	1746865-2 <sup>(01)</sup>
PAPER BOX タンボール	PLASTIC BAG ビニール袋	NATURAL	1746865-1
OUTER 外装	INNER 内装	COLOR	PART NUMBER
PACKING STYLE 梱包形態			

TABLE-3

TERMINAL MAKER 端子メーカー	SIZE サイズ		
	S	M	L
YAZAKI PARTS CO., LTD. 矢崎部品(株)殿	7116-4020	7116-4021	7116-4022
SUMITOMO WIRING SYSTEMS, LTD. 住友電装(株)殿	8240-4882	8240-4892	8240-4942
TOKAI RIKI CO., LTD. (株)東海理化電機製作所殿	4R1190-0004E	4R1191-0004E	4R1192-0005F

THIS DRAWING IS A CONTROLLED DOCUMENT FOR TYCO ELECTRONICS CORPORATION  
 IF IS SUBJECT TO CHANGE AND THE CONTROLLING ENGINEERING ORGANIZATION  
 SHOULD BE CONTACTED FOR THE LATEST REVISION.

DIMENSIONS: 単位: 概 mm	TOLERANCES UNLESS OTHERWISE SPECIFIED: 一般公差 ±0.3 0-PLC ± 1-PLC ±0.1 2-PLC ±0.01 3-PLC ±0.001 4-PLC ±0.0001 ANGLES ±3'00"
MATERIAL 材料 PBT	FINISH 仕上 SEE TABLE

DWN Y. MITO 13AUG04	CHK H. YAMAGAMI 13AUG04	APVD S. ISOHATA 13AUG04	Tyco Electronics Corporation Kawasaki, Japan	
PRODUCT SPEC 製品規格 108-5953			NAME 名称 0.64111/2.311 SERIES CONNECTOR 30 POSITION PLUG ASSEMBLY	
APPLICATION SPEC 取付適用規格 114-5329			SIZE A3	CAGE CODE 00779
WEIGHT 6.88 g			DRAWING NO 番号 C=1746865	
CUSTOMER DRAWING			SCALE 尺度 2:1	SHEET OF 1
			REV A	

## X-ON Electronics

Largest Supplier of Electrical and Electronic Components

*Click to view similar products for [Automotive Connectors](#) category:*

*Click to view products by [TE Connectivity](#) manufacturer:*

Other Similar products are found below :

[003-018-000](#) [60993906-B](#) [72.330.1035.1](#) [776880-1](#) [827153-1](#) [9-1326729-8](#) [9-221607-5](#) [925474-1](#) [928905-1](#) [964562-4](#) [968782-1](#) [98891-1012](#) [12004468](#) [12004475-L](#) [12004483](#) [12052466](#) [12066163](#) [12015909](#) [12077753](#) [1-21030-1](#) [12047957](#) [12047958](#) [12084688](#) [12185550](#) [12336-12](#) [1-326211-1](#) [13681974](#) [13688972](#) [13755420](#) [13779834](#) [13783086](#) [13843152](#) [13522378](#) [13581967](#) [13669624](#) [13675513](#) [13753471](#) [13946876](#) [13953457](#) [13955963](#) [13964573](#) [13971791](#) [13790534-L](#) [13797473](#) [13805590](#) [13888202](#) [1428188-1](#) [1437287-3](#) [1428188-2](#) [DS07-19S-5020](#)