

THIS DRAWING IS UNPUBLISHED. RELEASED FOR PUBLICATION  
 © COPYRIGHT 20 BY TYCO ELECTRONICS CORPORATION. ALL RIGHTS RESERVED.

LOC	DIST	REVISIONS						
J	-	P	LTR	DESCRIPTION	ECN	DATE	DWN	APVD
		A		RELEASED		3FEB2005	YS	YF
		A1		REVISED	ECR-07-028000	21NOV2007	WZ	YF
		B		REVISED	ECR-11-001260	19JAN11	TS	KB

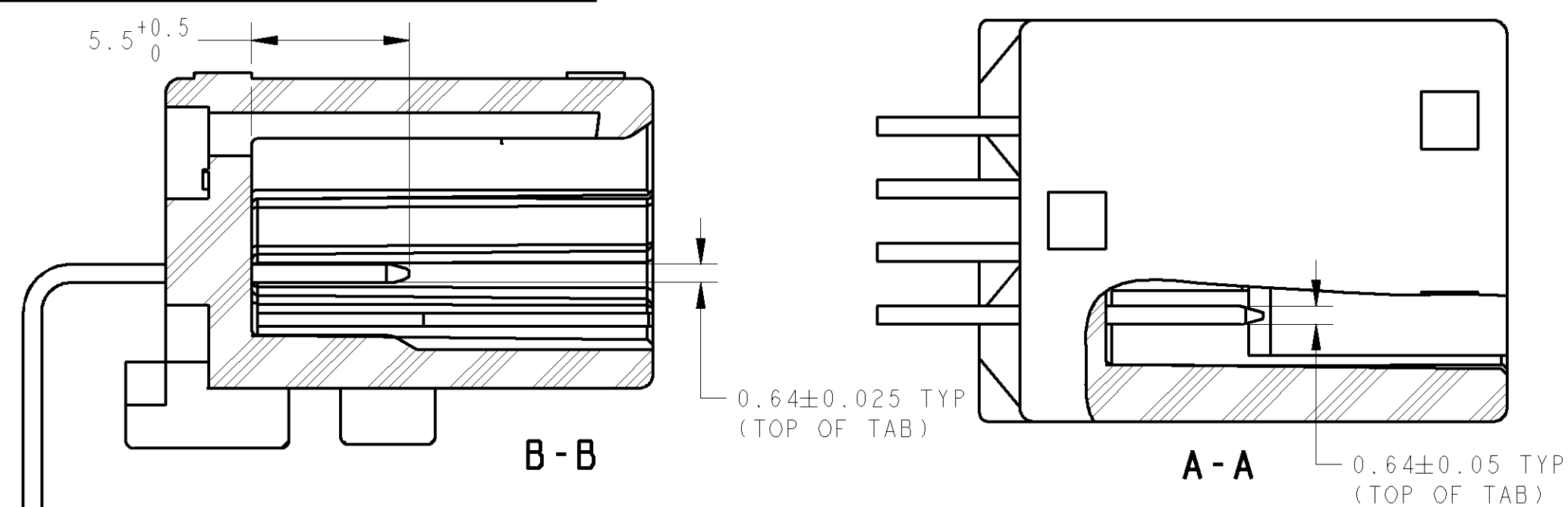


TABLE-1

POS. 極数	PLUG HOUSING プラグハウジング
	P/N
4	1746911-1

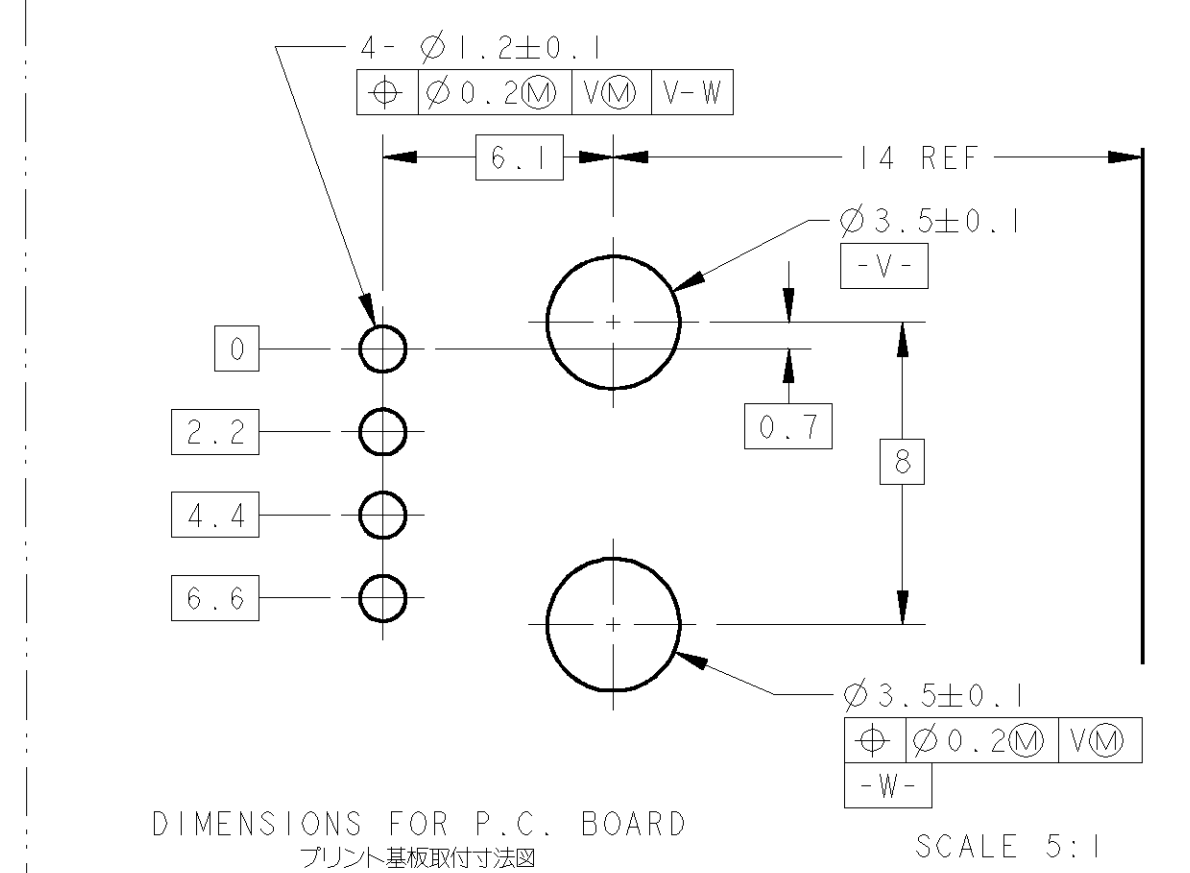
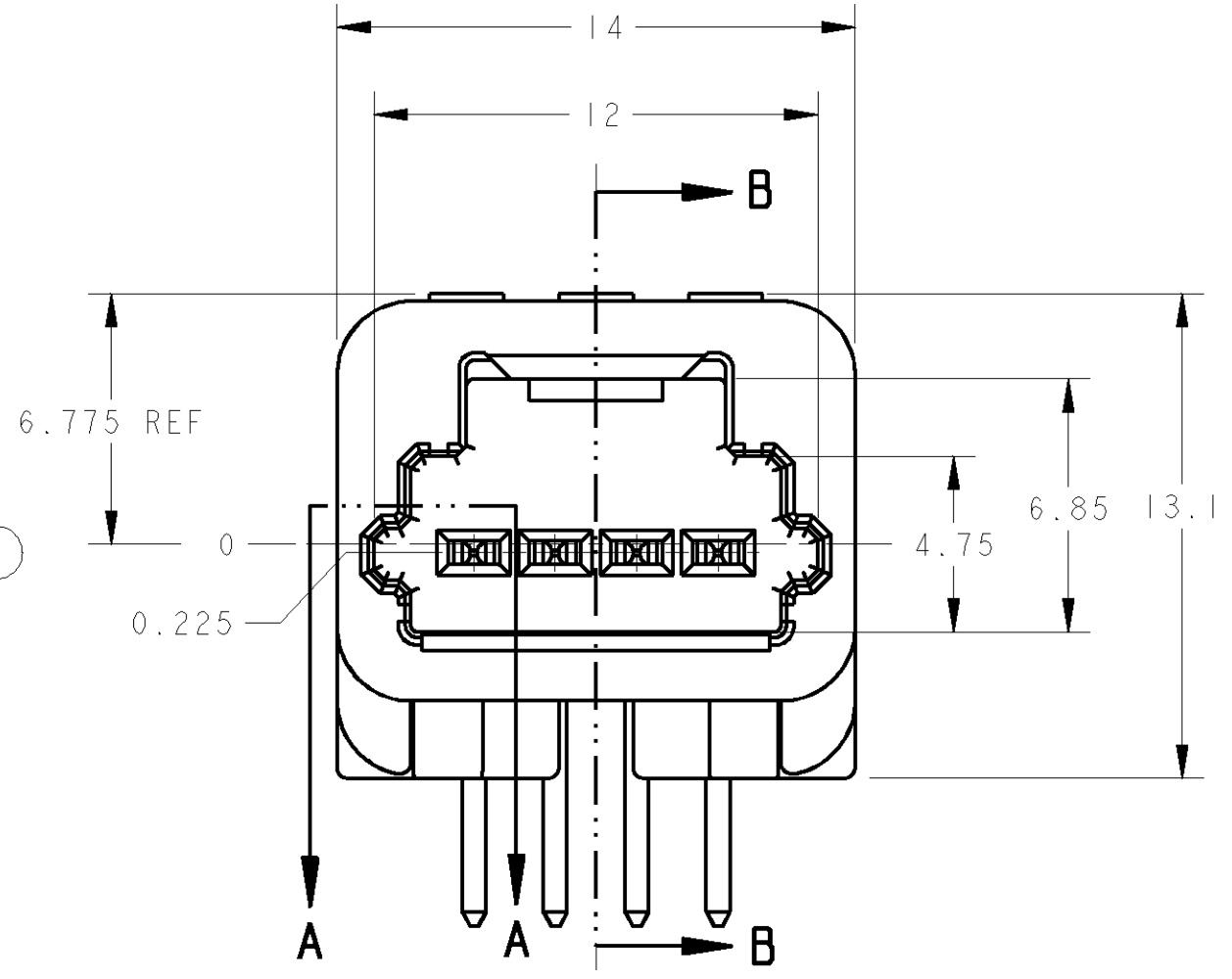
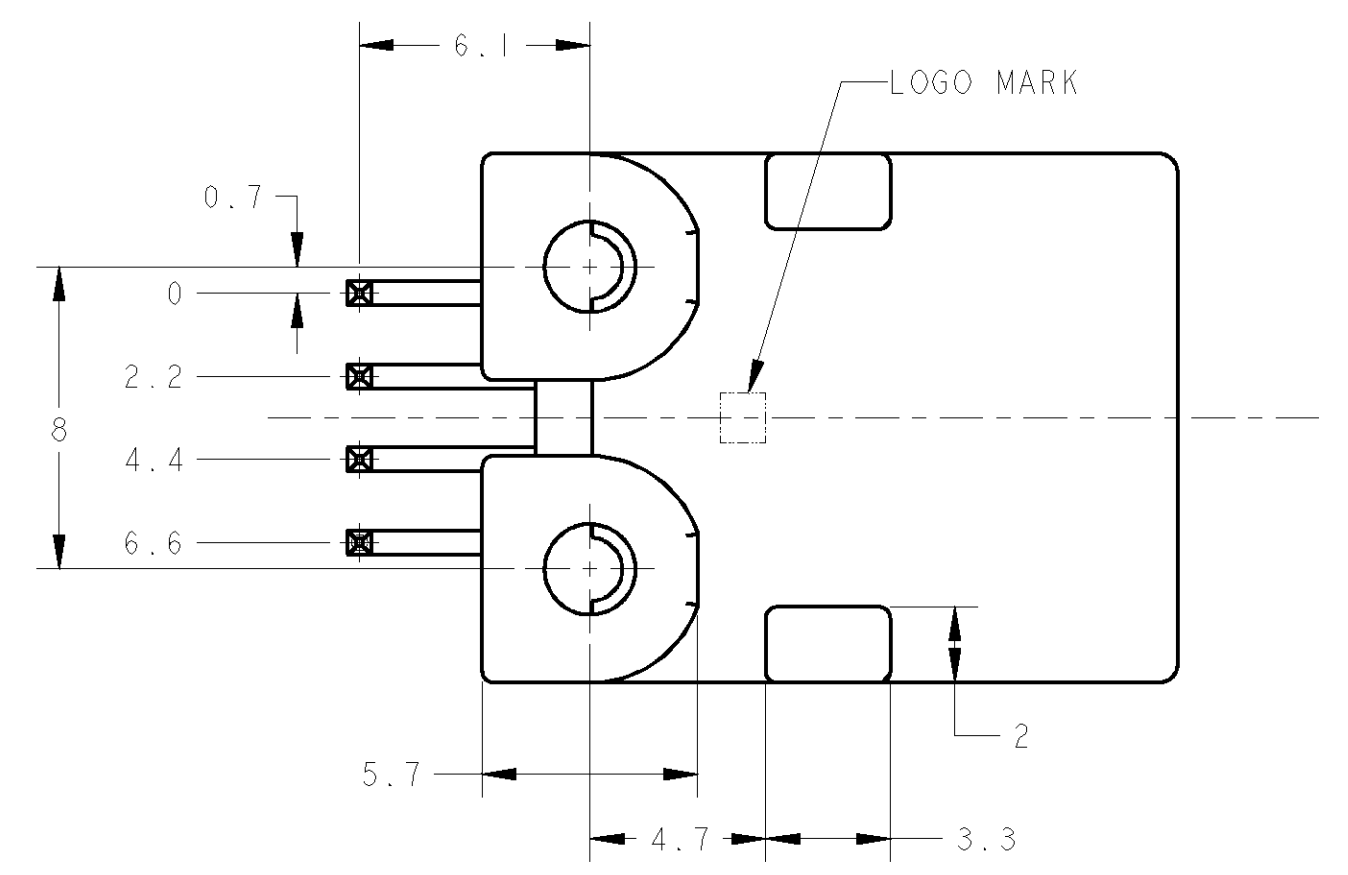
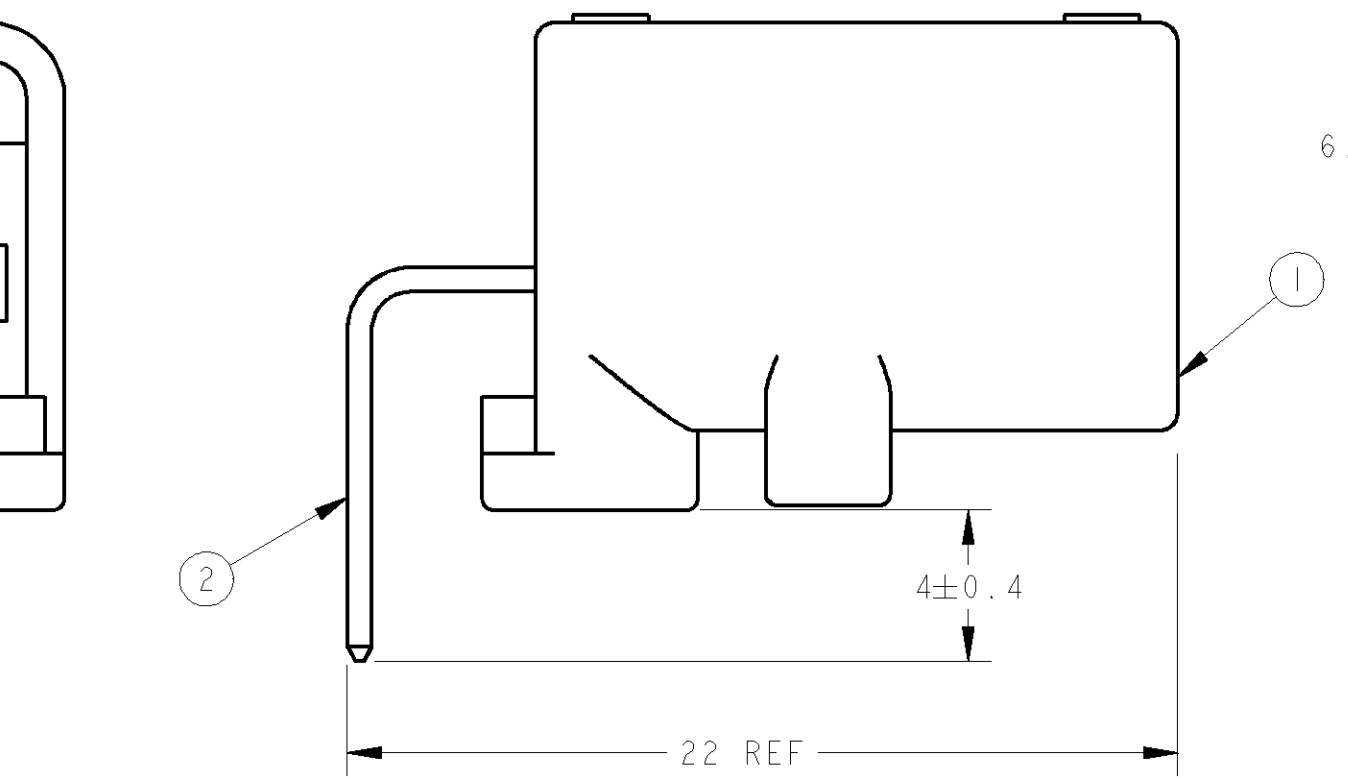
TABLE-2

THICKNESS OF PCB(mm) プリント基板板厚 (mm)	0.5~1.2	1.6~2.0
NOMINAL LENGTH OF SCREW(mm) 固定用ねじ着下長さ (mm)	5	6

TABLE-3

	FINISH 仕上げ	RECEPTACLE CONTACT P/N	APPLICABLE WIRE RANGE 適用電線
SIGNAL 0.64	TIN	1674311-1	CAVS/CAVUS 0.3~0.5mm <sup>2</sup> AVSSH/AVSS/AESSX/ 0.3~0.5mm <sup>2</sup>

- ① PLUG HOUSING TO BE MATED ; SEE TABLE-1  
TO BE MATED SMOOTHLY WITH THE PLUG HOUSING
- ② RECOMMENDED SCREW: PAN-HEADED, TYPE-2 TAPPING SCREW  
OF 3DIA, LENGTH: SEE TABLE-2 (JIS B1115, B1122).
- 3. FASTENING TORQUE FOR SCREW: 0.392N·m MAX
- 4. AS FOR THE HANDLING OF THIS PRODUCT,  
FOLLOW THE INSTRUCTION SHEET No. 411-78184
- ⑤ APPLICABLE PRINTED CIRCUIT BOARD: THICKNESS SEE TABLE-2
- ⑥ DETAILS OF TERMINALS TO BE MATED ; SEE TABLE-3.



DIMENSIONS FOR P.C. BOARD  
プリント基板取寸法図 SCALE 5:1

4	0.64 TAB CONTACT	BRASS/POST-TIN	②
1	4P CAP HOUSING	PBT(BLACK)	①
1746909-1	NAME 名称	MATERIAL(COLOR)/FINISH 材料(色)/処理	ITEM No.

- ① 嵌合相手ハウジング型番 ; TABLE-1  
プラグハウジングと支障なく嵌合、離脱できること
- ② 推奨取付ねじ ; JIS B1115, B1122タッピングねじ、なべ2種  
呼び径3、長さはTABLE-2参照
- 3. ねじ締め付けトルク: 0.392N·m MAX
- 4. 本製品の取扱いについては、取扱説明書No. 411-78184に従うこと。
- ⑤ 適用プリント基板: 板厚 TABLE-2参照
- ⑥ 嵌合相手端子構成 ; TABLE-3参照

THIS DRAWING IS A CONTROLLED DOCUMENT FOR TYCO ELECTRONICS CORPORATION  
IT IS SUBJECT TO CHANGE AND THE CONTROLLING ENGINEERING ORGANIZATION  
SHOULD BE CONTACTED FOR THE LATEST REVISION.

DIMENSIONS: 単位: 概 mm	TOLERANCES UNLESS OTHERWISE SPECIFIED: 一般公差 ±0.3 1-PLC ±0.5 2-PLC ±0.13 3-PLC ±0.013 4-PLC ± ANGLES ±1°00'	DWN Y. SAKURAI 13JAN2005 CHK Y. NOGUCHI 13JAN2005 APVD Y. FUJIWARA 13JAN2005	Tyco Electronics Corporation Kawasaki, Japan
MATERIAL 材料 SEE TABLE	FINISH 仕上げ SEE TABLE	PRODUCT SPEC 製品規格 108-78247 APPLICATION SPEC 取付適用規格 114-5329 WEIGHT 2.5 g	NAME 名称 CAP HOUSING ASSY 4 POS 0.64 III I/O CONNECTOR
CUSTOMER DRAWING		SIZE A2	CAGE CODE 00779
		DRAWING NO. 1746909	RESTRICTED TO
		SCALE 5:1	SHEET 1 OF 1
		REV B	

## X-ON Electronics

Largest Supplier of Electrical and Electronic Components

*Click to view similar products for [Automotive Connectors](#) category:*

*Click to view products by [TE Connectivity](#) manufacturer:*

Other Similar products are found below :

[003-018-000](#) [60403001](#) [60993906-B](#) [M902-2131](#) [M902-2161](#) [M902-2344](#) [72.330.1035.1](#) [73.353.4028.0](#) [F119300-B](#) [F166900](#) [F258300-B](#)  
[F358300-B](#) [F407400](#) [F444110](#) [F487000](#) [F509500B-B](#) [827153-1](#) [8N1515-32-24P](#) [9-1326729-8](#) [925474-1](#) [928905-1](#) [964562-4](#) [968782-1](#)  
[GT17SA-8DS-HU](#) [98891-1012](#) [98947-1016](#) [12004147](#) [12004475-L](#) [12010290](#) [12010309-B](#) [12015454](#) [12020219-B](#) [12041318-B](#) [12052225-](#)  
[L](#) [12052466](#) [12064869](#) [12004327-B](#) [12015308](#) [12015384](#) [12015909](#) [1-21030-1](#) [12041254](#) [12041318](#) [12047946-B](#) [12047957](#) [12047957-L](#)  
[12059473](#) [12066261](#) [12110546](#) [12110546-B](#)