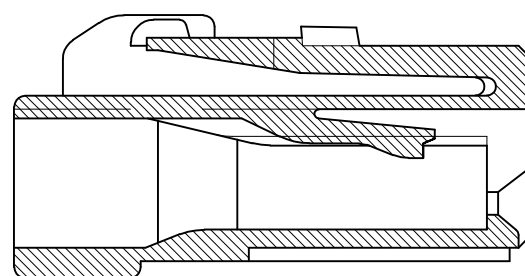
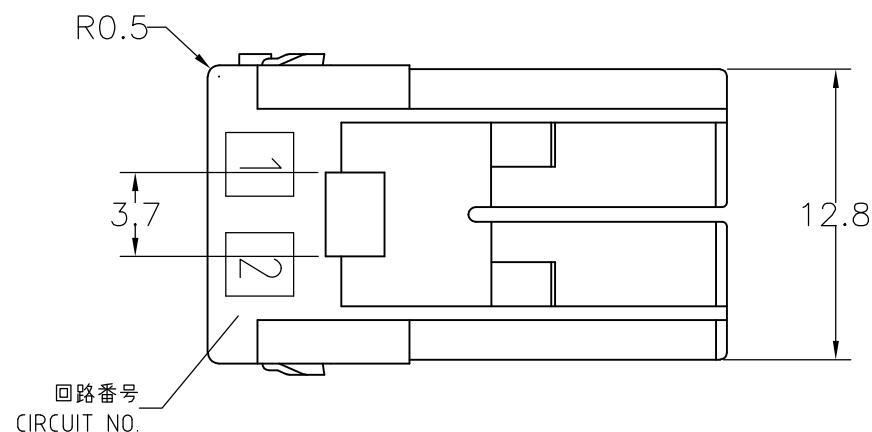
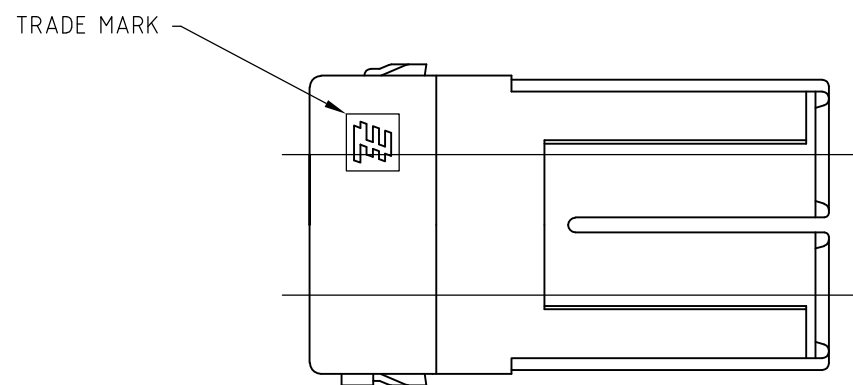
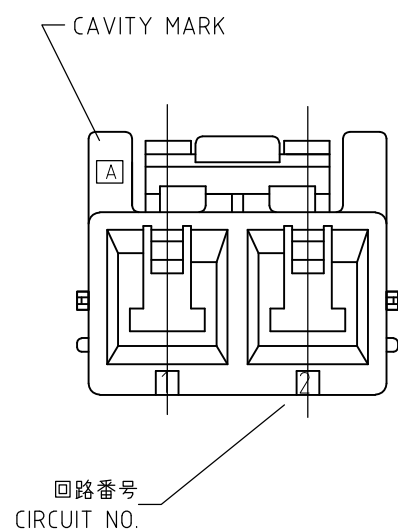
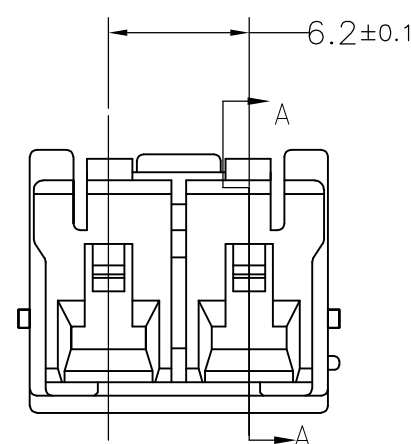
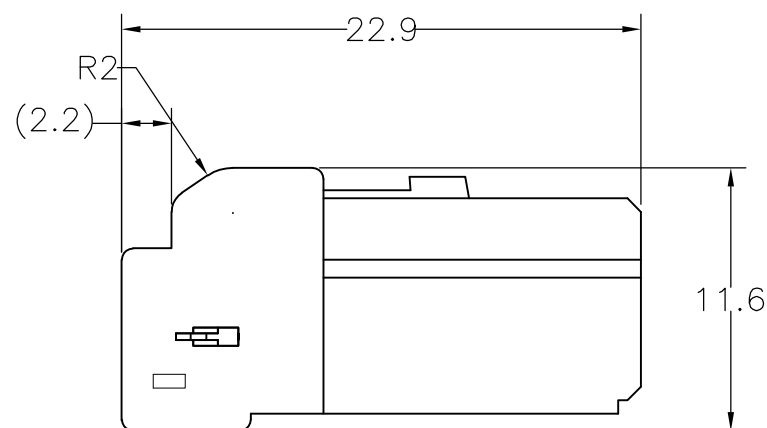


THIS DRAWING IS UNPUBLISHED. RELEASED FOR PUBLICATION
 © COPYRIGHT BY TYCO ELECTRONICS CORPORATION. ALL RIGHTS RESERVED.

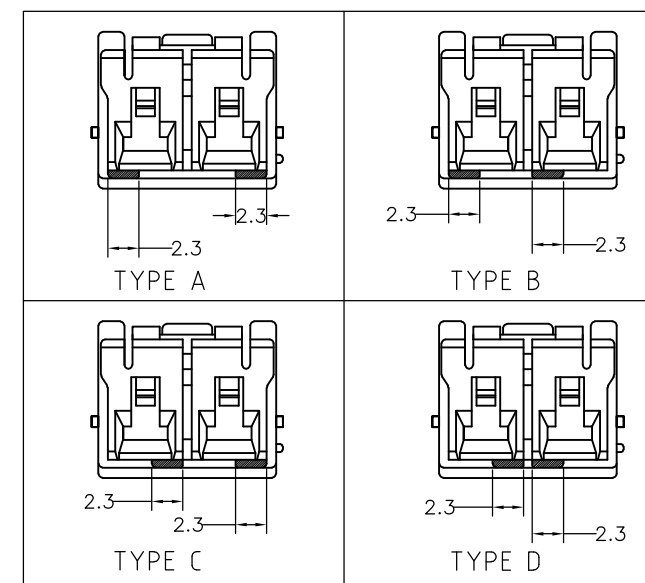
| LOC | DIST | REVISIONS | | | | | |
|-----|------|-----------|-----|---------------------------|---------|-----|------|
| J | — | P | LTR | DESCRIPTION | DATE | DWN | APVD |
| | | | B1 | REVISED PER ECR-10-019978 | 01OCT10 | HMR | TM |



断面 A-A
SECT A-A



TYPE OF KEYING



- 注) 1.一般公差:±0.25
 2.材料: 66ナイロン ガラス無(UL94V-0)
 3.適用リセコンタクト製品型番: 1746971-1
 : 1746972-1

- △かん合相手製品型番
 キャップハウジング: TABLE参照のこと
 タブコンタクト: 1746973-1
 1746974-1

- NOTES)
 1.GENERAL TOLERANCE:±0.25
 2.MATERIAL:66 NYLON NON-GLASS FILLED (UL94V-0)
 3.APPLICABLE RECEPTACLE P/N: 1746971-1
 : 1746972-1

- △ MATING CONN. P/N
 CAP HOUSING:SEE TABLE
 TAB CONTACT ;1746973-1
 1746974-1

| | | | |
|------------------|-------------|---------|-----------|
| 1746977-1 | A | NATURAL | 1746975-1 |
| △ MATING HSG P/N | KEYING TYPE | COLOR | P/N |

| | | | | |
|---|-------------------|--|--|--------------------|
| THIS DRAWING IS A CONTROLLED DOCUMENT. | | DWN A.OISHI 17MAY2004 | Tyco Electronics AMP K.K. Kawasaki,Japan | |
| DIMENSIONS: 単位: 耗 MM | | CHK N.YAMASAKI 17MAY2004 | NAME 名称 GRACE INERTIA CONNECTOR 6.2MM PITCH 2POS PLUG HOUSING | |
| TOLERANCES UNLESS OTHERWISE SPECIFIED: 一般公差 | | APVD S.MANABE 17MAY2004 | PRODUCT SPEC 製品規格 108-5979 | |
| 0 PLC ± - 1 PLC ± - 2 PLC ± - 3 PLC ± - 4 PLC ± - ANGLES ± - | | APPLICATION SPEC 取付適用規格 114-5356 | SIZE A3 | CAGE CODE 00779 |
| MATERIAL 材料 66NYLON(UL94V-0) | FINISH 仕上 - | WEIGHT - | DRAWING NO 番号 G-1746975 | |
| CUSTOMER DRAWING | | | RESTRICTED TO - | SCALE 尺度 3:1 |
| | | | SHEET 1 OF 1 | REV B1 |

X-ON Electronics

Largest Supplier of Electrical and Electronic Components

Click to view similar products for [Headers & Wire Housings](#) category:

Click to view products by [TE Connectivity](#) manufacturer:

Other Similar products are found below :

[57102-F02-18ULF](#) [58102-G61-06LF](#) [0009485154](#) [009176003701906](#) [0050291907](#) [02.125.8002.8](#) [609-3404](#) [61062-3](#) [622-0430](#) [622-3653LF](#)
[63453-116](#) [636-1030](#) [636-1427](#) [636-3427](#) [636-4007](#) [641938-9](#) [644827-2](#) [65495-038](#) [65692-001LF](#) [65781-018](#) [65781-047](#) [65817-010LF](#)
[65817-015LF](#) [66207-023LF](#) [67016-026LF](#) [67095-007LF](#) [68631-112](#) [68645-018](#) [68648-049](#) [699319-000](#) [70.362.1628.0](#) [70-4210](#) [70-4226B](#)
[70-4853B](#) [707-5020](#) [707-5028](#) [71.350.2428.0](#) [71961-016LF](#) [733-134](#) [754199-000](#) [760-3052](#) [787-8014-00](#) [FCN-367T-T012/H](#) [80.063.4001.1](#)
[800-90-001-10-001000](#) [800-90-010-10-002000](#) [801-43-002-10-013000](#) [801-43-006-10-002000](#) [803-41-018-10-001000](#) [803-43-014-20-](#)
[001000](#)