

THIS DRAWING IS UNPUBLISHED.

RELEASED FOR PUBLICATION

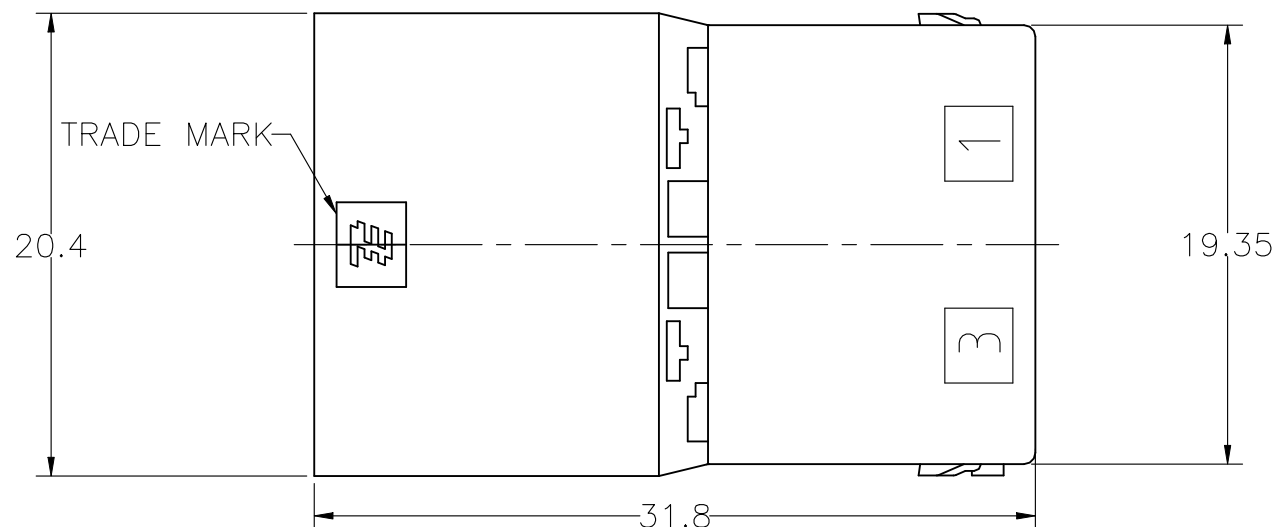
REVISIONS

変更

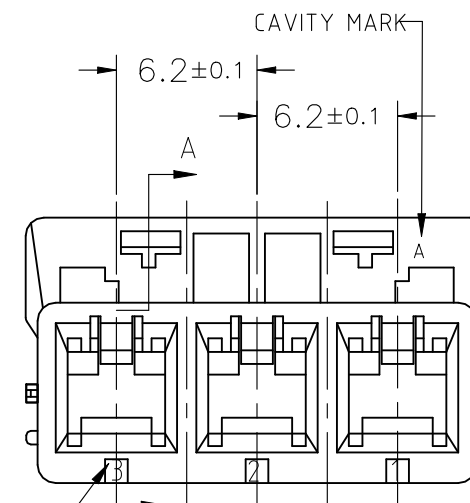
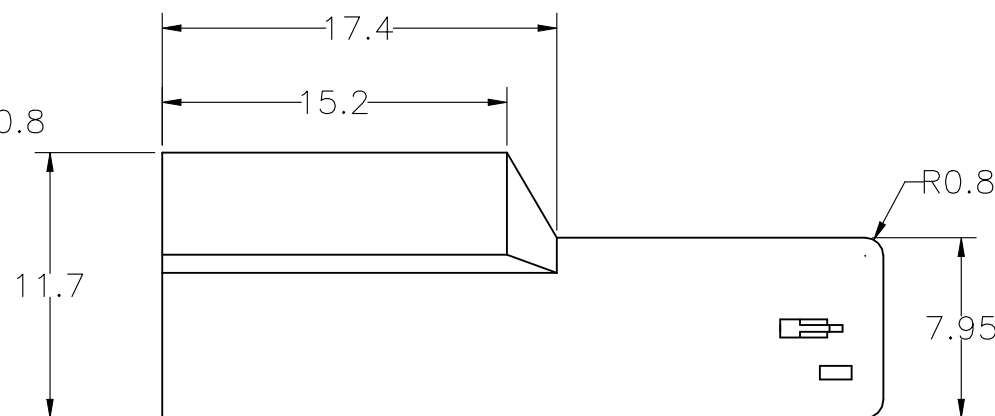
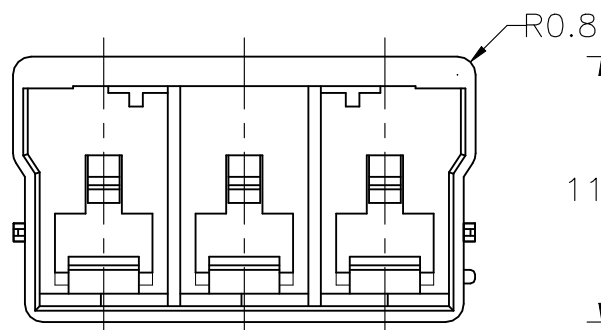
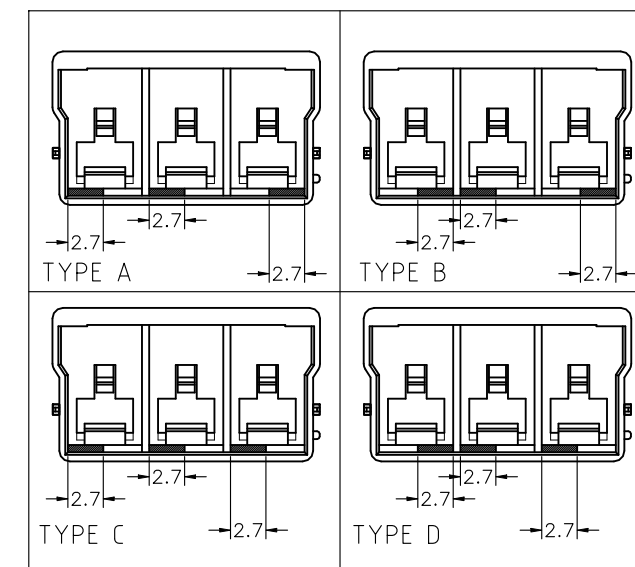
© COPYRIGHT - TE Connectivity Ltd.

ALL RIGHTS RESERVED.

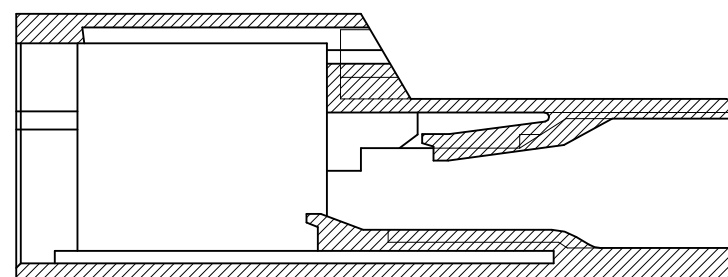
P	LTR	DESCRIPTION	DATE	DWN	APVD
	C	REVISED PER ECR-19-008563	22DEC2020	SC	D.Z



TYPE OF KEYING



回路番号
CIRCUIT NO.



断面 A-A
SECT A-A

- 注) 1.一般公差:±0.25
 2.材料:66ナイロン ガラス無(UL94V-0)
 3.適用タブコンタクト製品型番:1746973-1
 1746974-1


- △4 かん合相手製品型番
 プラグハウジング: TABLE参照のこと
 リセコンタクト: 1746971-1
 1746972-1

- NOTES)
 1.GENERAL TOLERANCE:±0.25
 2.MATERIAL:66 NYLON NON-GLASS FILLED (UL94V-0)
 3.APPLICABLE TAB CONTACT P/N: 1746973-1
 1746974-1

- △4 MATING CONN. P/N
 PLUG HOUSING:SEE TABLE
 REC CONTACT:1746971-1
 1746972-1

- △5 PRELIMINARY NOT FOR PRODUCTION

1-1871867-1	△4	A	NATURAL	1-1746978-1	△4
1871867-1		A	NATURAL	1746978-1	
△4 MATING HSG P/N		KEYING TYPE	COLOR		P/N

THIS DRAWING IS A CONTROLLED DOCUMENT.		DWN A.OISHI 17MAY2004	 TE Connectivity		
DIMENSIONS: 単位: 耗 mm		CHK N.YAMASAKI 17MAY2004			
TOLERANCES UNLESS OTHERWISE SPECIFIED: 一般公差		APVD S.MANABE 17MAY2004	NAME 名称 GRACE INERTIA CONNECTOR 6.2MM PITCH 3POS CAP HOUSING		
0 PLC ± - 1 PLC ± - 2 PLC ± - 3 PLC ± - 4 PLC ± - ANGLES ± -		PRODUCT SPEC 製品規格 108-5979	SIZE A3		
MATERIAL 材料 66NYLON(UL94V-0)		APPLICATION SPEC 取付適用規格 114-5356	CAGE CODE 00779	DRAWING NO 番号 C-1746978	RESTRICTED TO -
FINISH 仕上 -		WEIGHT -	SCALE 尺度 3:1		
		CUSTOMER DRAWING		SHEET 1 of 2	REV C

THIS DRAWING IS UNPUBLISHED.

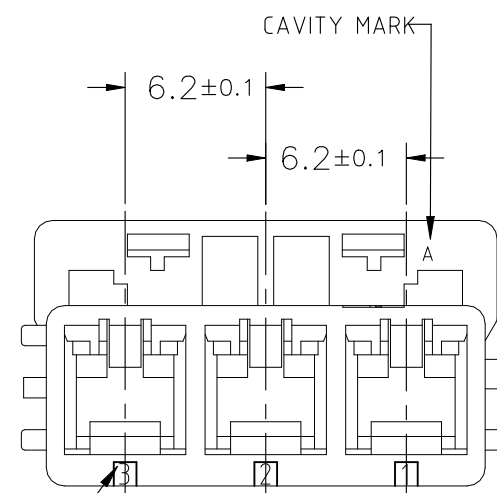
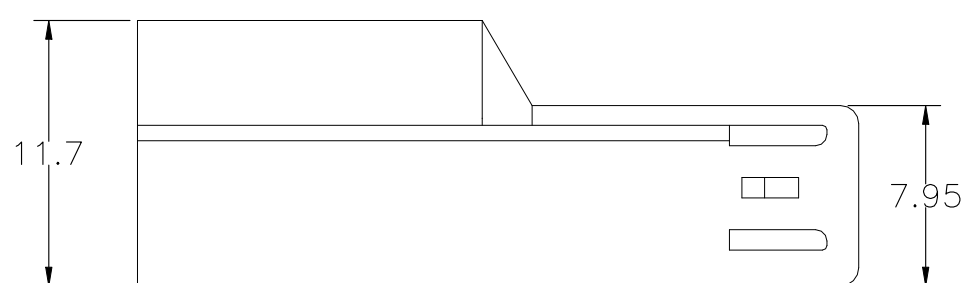
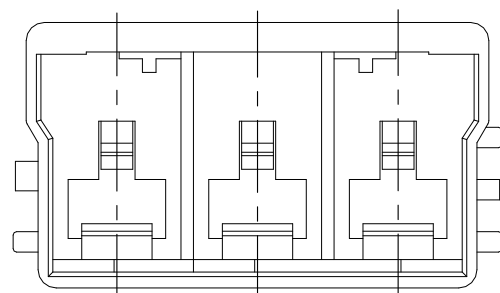
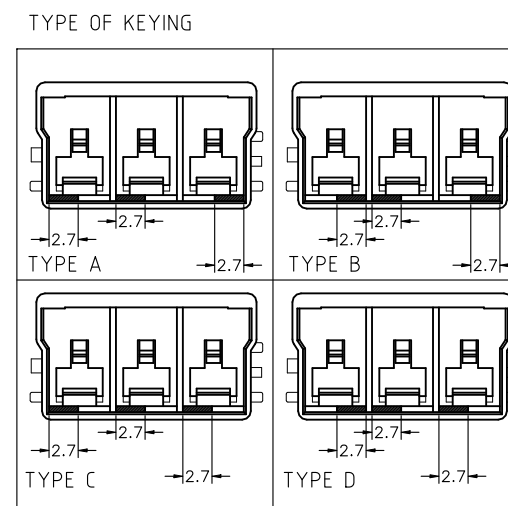
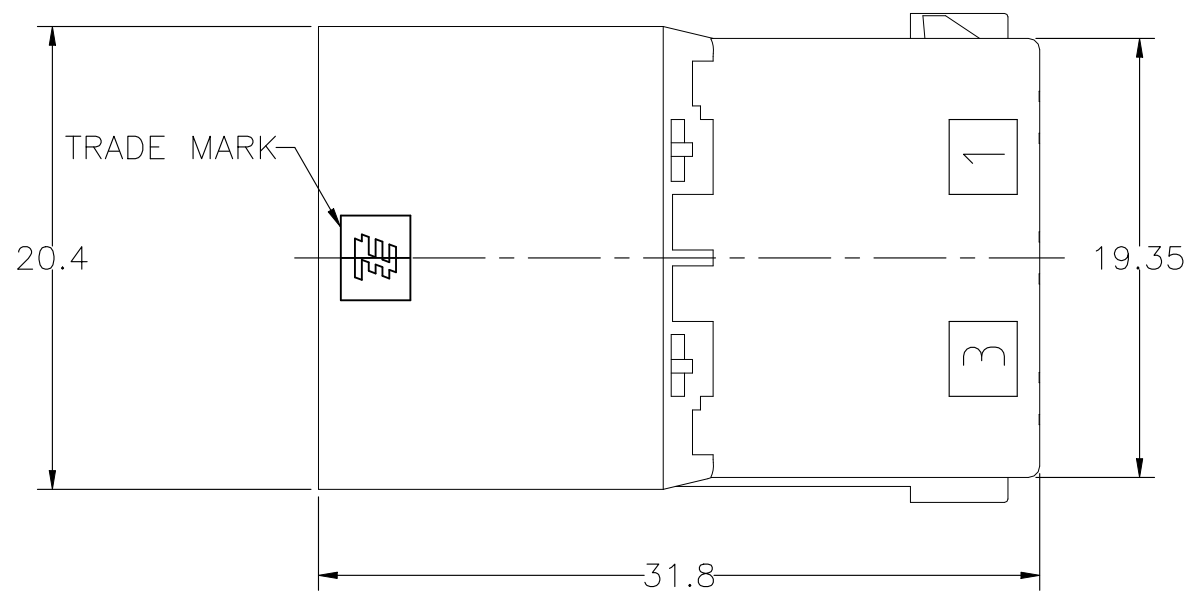
RELEASED FOR PUBLICATION

REVISIONS

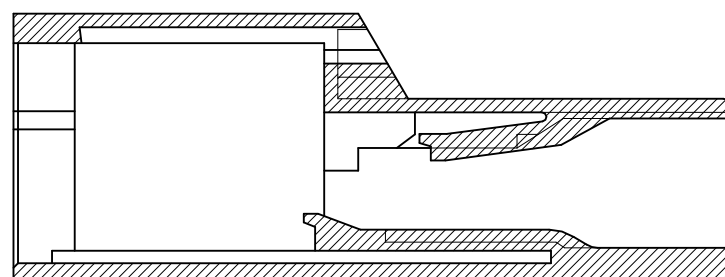
© COPYRIGHT - TE Connectivity Ltd.

ALL RIGHTS RESERVED.

P	LTR	DESCRIPTION	DATE	DWN	APVD
-	-	SEE SHEET 1	-	-	-



回路番号
CIRCUIT NO.



断面 A-A
SECT A-A

NOTES)
MATING TPA P/N: 1-2232564-1

4-1871867-1	A	NATURAL	4-1746978-1
MATING HSG P/N	KEYING TYPE	COLOR	P/N

THIS DRAWING IS A CONTROLLED DOCUMENT.		DWN A.OISHI 17MAY2004	STE TE Connectivity	
DIMENSIONS: 単位: 耗 mm		CHK N.YAMASAKI 17MAY2004		
TOLERANCES UNLESS OTHERWISE SPECIFIED: 一般公差		APVD S.MANABE 17MAY2004	NAME 名称 GRACE INERTIA CONNECTOR 6.2MM PITCH 3POS CAP HOUSING	
0 PLC ± - 1 PLC ± - 2 PLC ± - 3 PLC ± - 4 PLC ± - ANGLES ± -		PRODUCT SPEC 製品規格 108-5979	DRAWING NO 番号 A300779 C-1746978	
MATERIAL 材料 66NYLON(UL94V-0)		FINISH 仕上 -	APPLICATION SPEC 取付適用規格 114-5356	RESTRICTED TO -
		WEIGHT -	SCALE 尺度 3:1	SHEET 2 OF 2
		CUSTOMER DRAWING		REV B4

X-ON Electronics

Largest Supplier of Electrical and Electronic Components

Click to view similar products for [Headers & Wire Housings](#) category:

Click to view products by [TE Connectivity](#) manufacturer:

Other Similar products are found below :

[892-18-020-10-001101](#) [58102-G61-06LF](#) [582553-1](#) [0009485154](#) [009176003701906](#) [0050291907](#) [LY20-4P-DT1-P1E-BR](#) [02.125.8002.8](#)
[609-3404](#) [61062-3](#) [61082-181009](#) [622-3653LF](#) [63453-116](#) [636-1030](#) [636-1427](#) [636-3427](#) [636-4007](#) [641938-9](#) [641991-4](#) [644827-2](#) [65817-010LF](#) [65817-015LF](#) [65863-015LF](#) [66207-023LF](#) [67095-007LF](#) [67601157](#) [68645-018](#) [68648-049](#) [70.362.1628.0](#) [70-4210](#) [70-4226B](#) [70-4853B](#) [707-5020](#) [707-5028](#) [71.350.2428.0](#) [71918-208LF](#) [71961-016LF](#) [733-134](#) [733-162](#) [754199-000](#) [760-3052](#) [787-8014-00](#) [79531-3000](#)
[FCN-360C032-B](#) [FCN-367T-T012/H](#) [FCN-723D010/2](#) [80.063.4001.1](#) [800-90-001-10-001000](#) [800-90-010-10-002000](#) [801-43-002-10-013000](#)