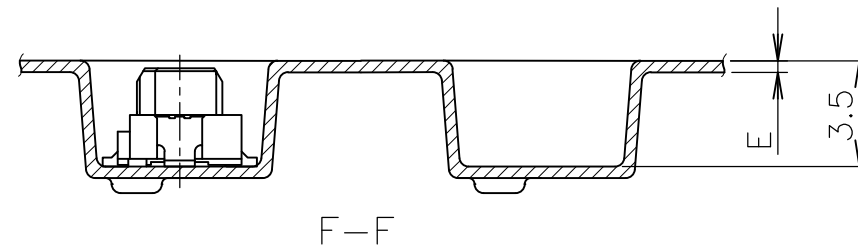
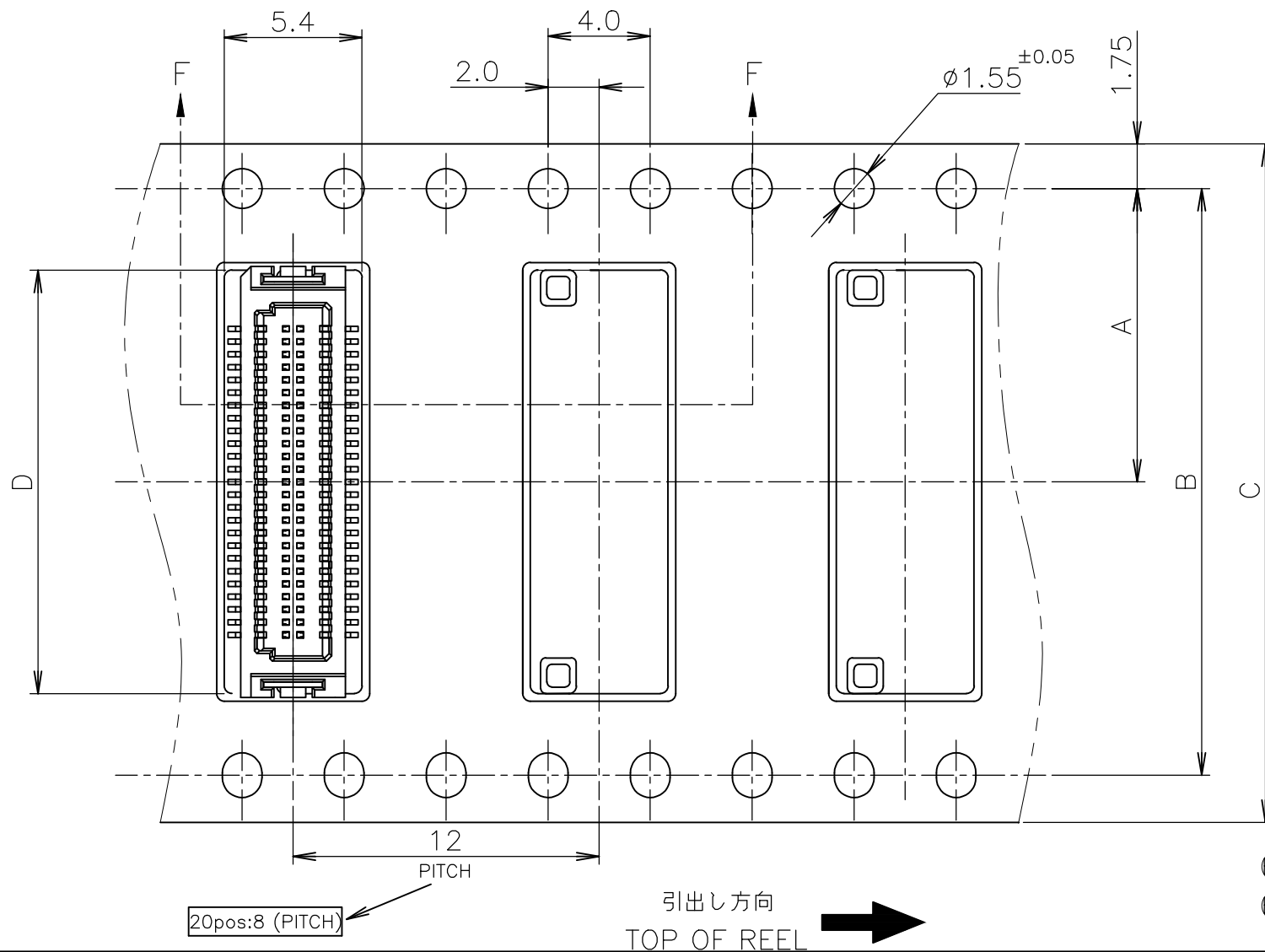


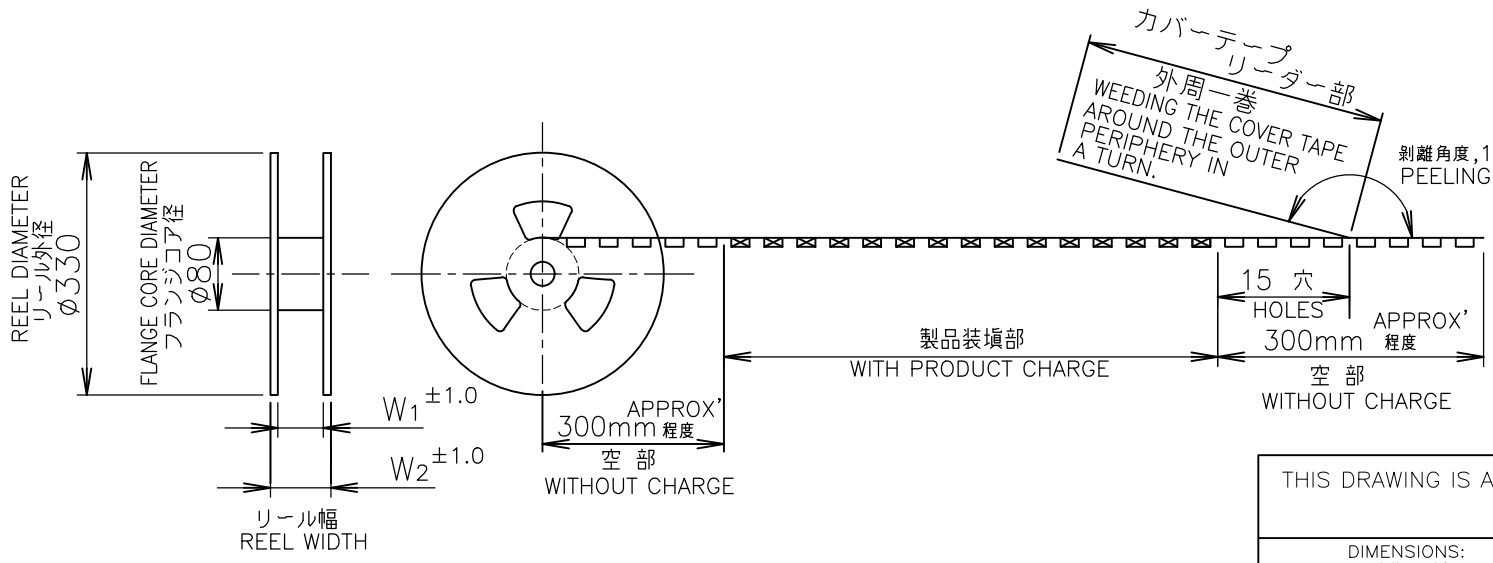
REVISIONS 変更				
P	LTR	DESCRIPTION	DATE	APVD
B2		REVISED ECO-18-003089	01MAR2018	R.L H.L



テープ幅
TAPE WIDTH

Ⓚ OBSOLETE
 Ⓚ OBSOLETE
 Ⓚ OBSOLETE

WITH BOSS	N	W2	W1	E	D	C	B	A	QTY/ REEL	POS	CONNECTOR P/N	TAPING P/N
		36.7	33.5	0.4	22.2	32	28.4	14.2				
49.5	45.5	0.38	24.7	40	40.4	20.2	1000	80	5-1747023-35	1747022-3		
WITHOUT BOSS	N	20.7	17.5	0.38	8.7	16	7.5	1000	16	1-1747023-01	1747022-0	
		20.2	17.5	0.4	9.7	16	7.5	1000	20	1747023-96	1747022-9	
		20.2	17.5	0.4	9.7	16	7.5	1000	20	1747023-9	1747022-9	
WITHOUT BOSS	N	49.5	45.5	0.38	24.7	40	40.4	20.2	1000	80	1747023-3	1747022-3
BOSS	Mylar	W2	W1	E	D	C	B	A	QTY/ REEL	POS	CONNECTOR P/N	TAPING P/N



カバーテープ
リーダー部
外周一卷
WEEDING THE COVER TAPE
AROUND THE OUTER
PERIPHERY IN
A TURN.
剥離角度, 165°~180°
PEELING ANGLE.

Ⓚ OBSOLETE
 Ⓚ

鉛フリー
LEAD FREE

THIS DRAWING IS A CONTROLLED DOCUMENT.

DIMENSIONS: 単位: 耗 MM	TOLERANCES UNLESS OTHERWISE SPECIFIED: 一般公差
0 PLC	± 0.2
1 PLC	± 0.2
2 PLC	± 0.2
3 PLC	± 0.2
4 PLC	± 0.2
ANGLES	± 3°
MATERIAL 材料	FINISH 仕上

INSTRUCTION SHEET
取扱説明書
411-5808

WIRE RANGE
抱合電線断面積
-

INSULATION DIA
被覆外径
-

DWN
CHK
APVD
PRODUCT SPEC
製品規格
108-5496
APPLICATION SPEC
取付適用規格
WEIGHT
1

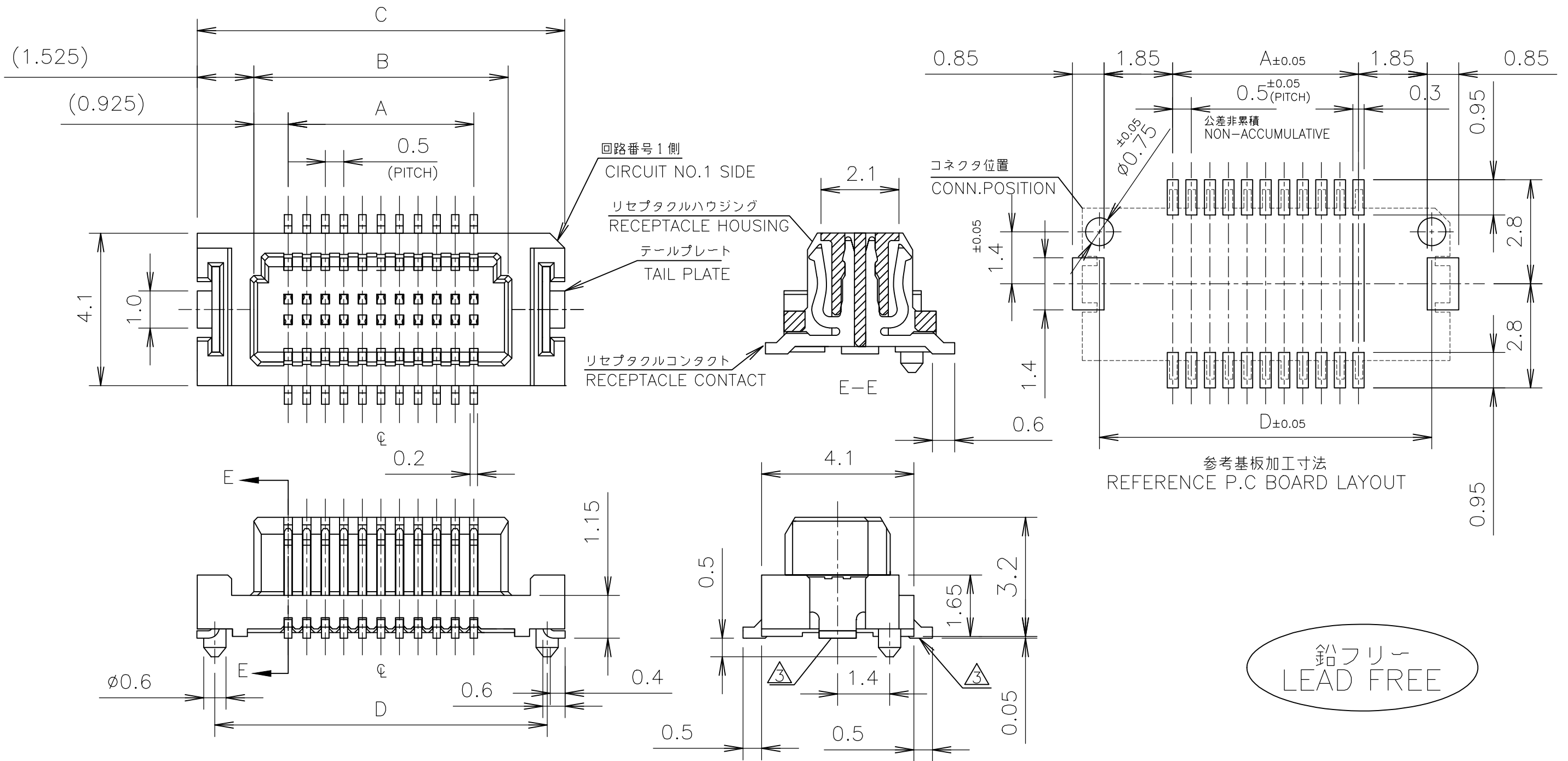
STE TE Connectivity

ON TAPING (EMBOSS)
0.5mm PITCH FINE MATE CONN.
RECEPTACLE ASSEMBLY WITH KEY&BOSS

SIZE: A3 CAGE CODE: 00779 DRAWING NO: C-1747022 RESTRICTED TO: 番号

CUSTOMER DRAWING SCALE 4:1 SHEET 1 OF 4 REV B2

P	LTR	DESCRIPTION	DATE	DWN	APVD
-	-	SEE SHEET 1	-	-	-



CONNECTOR 1747023* AS SHOW

THIS DRAWING IS A CONTROLLED DOCUMENT.

DIMENSIONS: 単位: 耗 MM	TOLERANCES UNLESS OTHERWISE SPECIFIED: 一般公差
	0 PLC ± 0.2
	1 PLC ± 0.2
	2 PLC ± 0.2
	3 PLC ± 0.2
	4 PLC ± 0.2
	ANGLES ± 3'

MATERIAL 材料

FINISH 仕上

INSTRUCTION SHEET 取扱説明書 411-5808	WIRE RANGE 抱合電線断面積 -	INSULATION DIA 被覆外径 -	
DWN	STE TE Connectivity		
CHK			
APVD	NAME 名称 ON TAPING (EMBOSS) 0.5mm PITCH FINE MATE CONN. RECEPTACLE ASSEMBLY WITH KEY&BOSS		
PRODUCT SPEC 製品規格 108-5496	SIZE A3	CAGE CODE 00779	DRAWING NO 番号 C-1747022
APPLICATION SPEC 取付適用規格	RESTRICTED TO		
WEIGHT 1	SCALE 尺度 4:1	SHEET 2 OF 4	REV B2
CUSTOMER DRAWING			

THIS DRAWING IS UNPUBLISHED.

RELEASED FOR PUBLICATION .FEB 1997

© COPYRIGHT 1997 By -

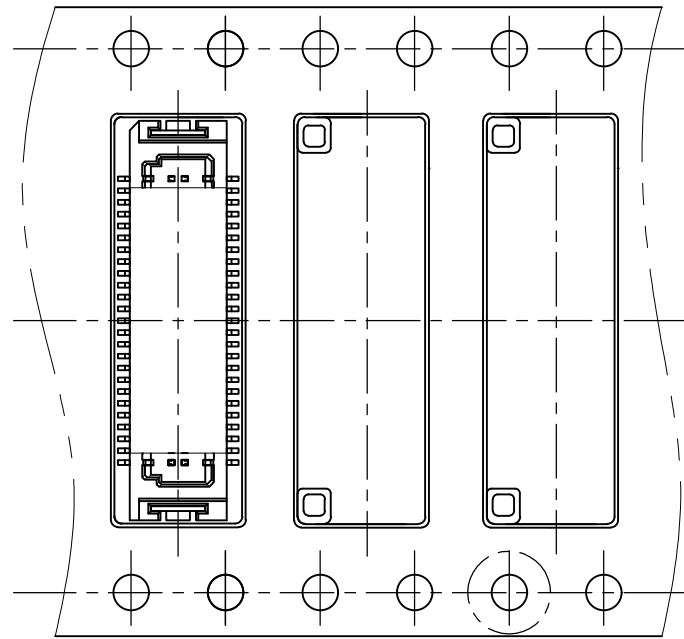
ALL RIGHTS RESERVED.

REVISIONS

変更

P	LTR	DESCRIPTION	DATE	DWN	APVD
-	-	SEE SHEET 1	-	-	-

ⓑ cancel the view as the PN OBS



ⓑupdate the view

THIS TYPE APPLIES FOR 5-1747022-3

引出し方向
TOP OF REEL →

THIS DRAWING IS A CONTROLLED DOCUMENT.		DWN			
DIMENSIONS: 単位: 耗 MM		CHK			
	TOLERANCES UNLESS OTHERWISE SPECIFIED: 一般公差	APVD	NAME 名称		
	0 PLC ± 0.2	PRODUCT SPEC 製品規格	ON TAPING (EMBOSS)		
	1 PLC ± 0.2	108-5496	0.5mm PITCH FINE MATE CONN.		
	2 PLC ± 0.2	APPLICATION SPEC 取付適用規格	SIZE	CAGE CODE	DRAWING NO 番号
	3 PLC ± 0.2	WEIGHT	A3	00779	C-1747022
	4 PLC ± 0.2	CUSTOMER DRAWING	SCALE 尺度 4:1		SHEET 3 of 4
	ANGLES ± 3'		RESTRICTED TO		REV B2
MATERIAL 材料	FINISH 仕上				

X-ON Electronics

Largest Supplier of Electrical and Electronic Components

Click to view similar products for [Board to Board & Mezzanine Connectors](#) category:

Click to view products by [TE Connectivity](#) manufacturer:

Other Similar products are found below :

[10135583-642402LF](#) [89885-310LF](#) [589158040000018](#) [6-1393048-0](#) [68683-613](#) [MDF7-12DP-2.54DSA](#) [MDF7-18P-2.54DSA\(01\)](#) [MDF7-20DP-2.54DSA](#) [MDF7-26D-2.54DSA\(55\)](#) [MDF7-3P-2.54DSA\(01\)](#) [MDF7B-20P-2.54DSA\(01\)](#) [MDF7B-3P-2.54DSA\(55\)](#) [MDF7C-18P-2.54DSA\(55\)](#) [MDF7P-5P-2.54DSA\(55\)](#) [75234-0516](#) [FCN-230C068-11](#) [FCN-268F012-G/BD](#) [FCN-268F036-G/BD](#) [FCN-268M012-G/0D](#) [FCN-268M024-G/1D](#) [FCN-360C008-C](#) [FCN-723J004/1](#) [MIS-048-01-F-D-DP-K](#) [832-10-034-10-001000](#) [93696-325LF](#) [11828-1FA](#) [AXK630345P](#) [18097-0013](#) [2007042-2](#) [304400-2](#) [FCN-214Q030-G/0](#) [FCN-215Q040-G/0](#) [FCN-230C068-ESA](#) [FCN-234P048-G/0](#) [FCN-235D050-G/C](#) [FCN-360A3](#) [FCN-360C040-B](#) [210-93-314-41-105000](#) [2-22603-0](#) [379-064-521-202](#) [MDF7-12P-2.54DSA\(01\)](#) [MDF7-16P-2.54DS\(56\)](#) [MDF7-16P-2.54DSA\(55\)](#) [MDF7-40DP-2.54DSA\(55\)](#) [MDF7-8P-2.54DSA\(55\)](#) [AXG720047](#) [5031084030](#) [55323-1519](#) [DF33-2P-3.3DSA\(24\)](#) [DF33-2S-3.3C](#)