

THIS DRAWING IS UNPUBLISHED.

RELEASED FOR PUBLICATION

APR, 1997.

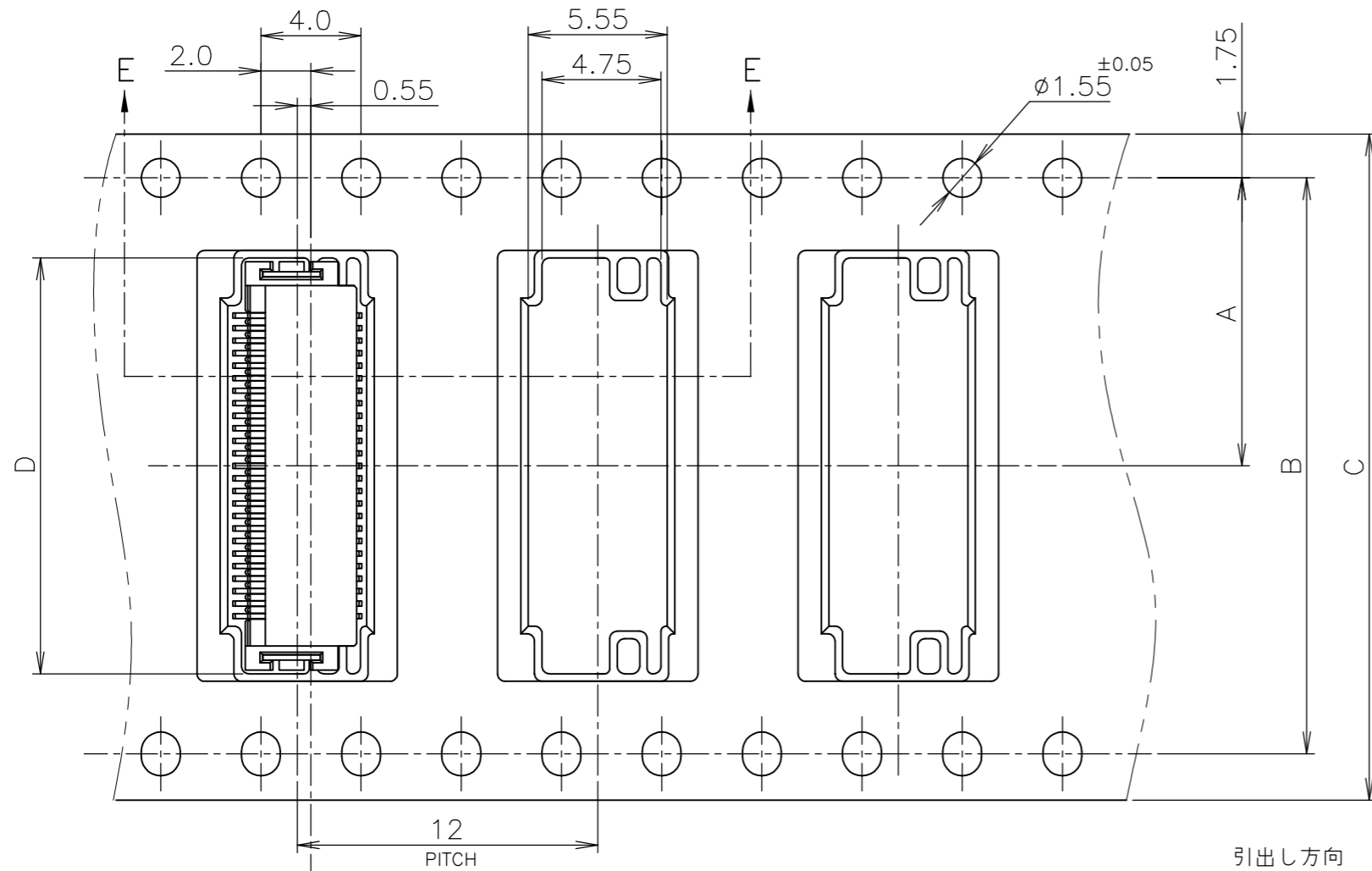
© COPYRIGHT 2004 By -

ALL RIGHTS RESERVED.

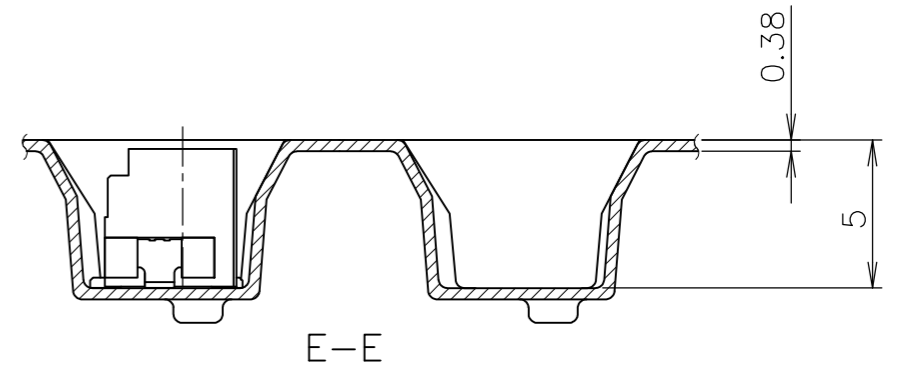
REVISIONS

変更

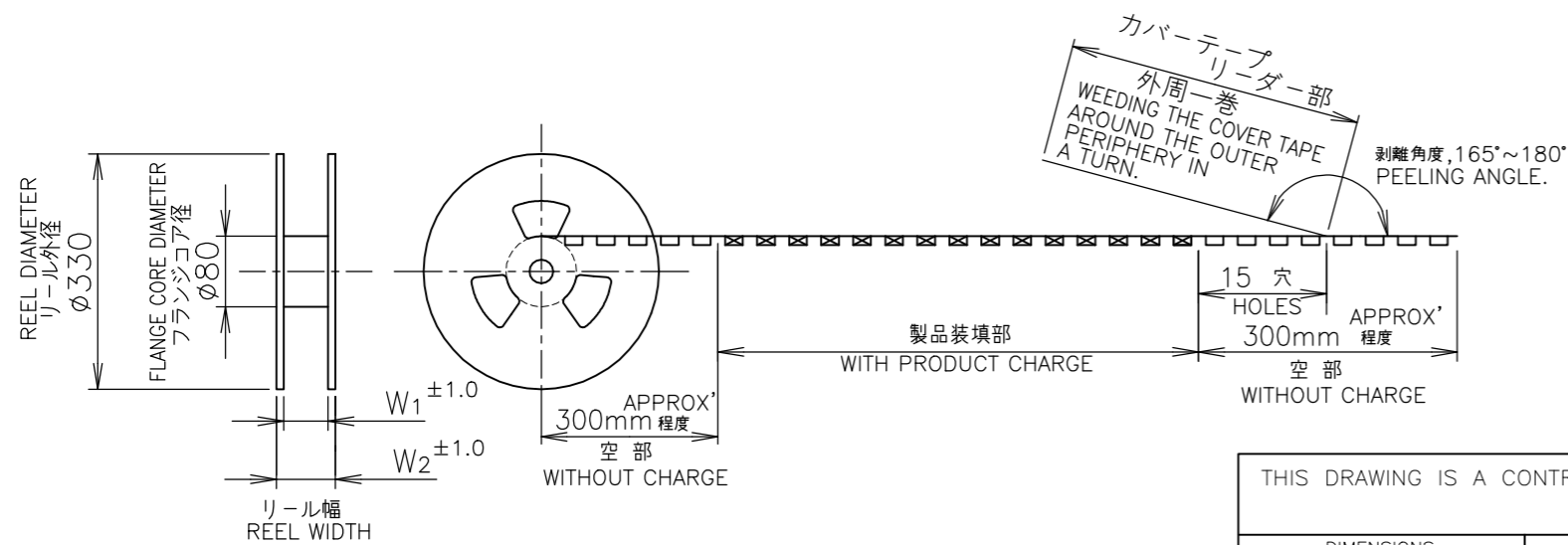
P	LTR	DESCRIPTION	DATE	DWN	APVD
	C	REVISED ECR-14-013112	30JAN2015	I.T	W.H
	C1	REVISED PER ECO-17-015460	19OCT2017	R.L	H.L



テープ幅
TAPE WIDTH



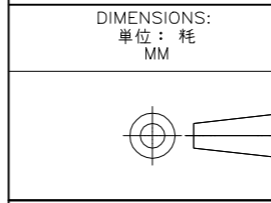
引出し方向
TOP OF REEL →



カバーテープ
リーダー部
外周一巻
WEEDING THE COVER TAPE
AROUND THE OUTER
PERIPHERY IN
A TURN.
剥離角度, 165°~180°
PEELING ANGLE.

鉛フリー
LEAD FREE

THIS DRAWING IS A CONTROLLED DOCUMENT.



DIMENSIONS: 単位: 耗 MM	TOLERANCES UNLESS OTHERWISE SPECIFIED: 一般公差
0 PLC	± 0.3
1 PLC	± 0.3
2 PLC	± 0.3
3 PLC	± 0.3
4 PLC	± 0.3
ANGLES	± 3'

MATERIAL
材料

FINISH
仕上

INSTRUCTION SHEET 取扱説明書 411-5808	WIRE RANGE 包含電線断面積	INSULATION DIA 被覆外径
DWN BILL LV 21JAN2011	TE Connectivity	
CHK MARTIN LI 21JAN2011		
APVD STEVEN YAO 21JAN2011	NAME 名称	
PRODUCT SPEC 製品規格 108-5496	ON TAPING (EMBOSS) 0.5mm PITCH FINE MATE CONN. TAB ASSEMBLY (H-TYPE)	
APPLICATION SPEC 取付適用規格	SIZE A3	CAGE CODE 00779
WEIGHT 0	DRAWING NO 番号 C-1747025	RESTRICTED TO
CUSTOMER DRAWING	SCALE 尺度 4:1	SHEET 1 OF 2
		REV C1

4

3

2

1

THIS DRAWING IS UNPUBLISHED.

RELEASED FOR PUBLICATION

APR ,1997.

© COPYRIGHT 2004 By -

ALL RIGHTS RESERVED.

REVISIONS

変更

P	LTR	DESCRIPTION	DATE	DWN	APVD
-	-	SEE SHEET 1	-	-	-

鉛フリー
LEAD FREE

OBSOLETE
OBSOLETE

© OBSOLETE

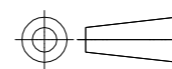
OBSOLETE
© OBSOLETE

	DIMENSIONS										QTY/ REEL	POS	CONNECTOR P/N	TAPING P/N
	W2	W1	E	D	C	B	A							
WITH BOSS														
OBSOLETE	36.7	33.5	0.4	22.2	32	28.4	14.2	1000	70	5	1747023-45	1747022-4		
OBSOLETE	49.5	45.5	0.38	24.7	40	40.4	20.2	1000	80	5	1747023-35	1747022-3		
WITHOUT BOSS														
© OBSOLETE	20.2	17.5	0.38	9.1	16	//	7.5	1000	20		1747026-9	1747025-9		
	29.5	25.5	0.38	16.6	24	//	11.5	1000	50		1747026-6	1747025-6		
OBSOLETE	37.5	33.5	0.38	19.1	32	28.4	14.2	1000	60		1747026-5	1747025-5		
© OBSOLETE	37.5	33.5	0.38	21.6	32	28.4	14.2	1000	70		1747026-4	1747025-4		
	49.5	45.5	0.4	24.1	44	40.4	20.2	1000	80		1747023-3	1747025-3		
	49.5	45.5	0.38	29.1	40	40.4	20.2	1000	100		1747026-1	1747025-1		
BOSS														

INSTRUCTION SHEET 取扱説明書 411-5808	WIRE RANGE 包含電線断面積 -	INSULATION DIA 被覆外径 -
--	----------------------------	-----------------------------

THIS DRAWING IS A CONTROLLED DOCUMENT.

DIMENSIONS:
単位: 耗
MM



TOLERANCES UNLESS
OTHERWISE SPECIFIED:
一般公差

- 0 PLC ± 0.3
- 1 PLC ± 0.3
- 2 PLC ± 0.3
- 3 PLC ± 0.3
- 4 PLC ± 0.3
- ANGLES ± 3'

MATERIAL
材料

FINISH
仕上

DWN
CHK
APVD

STE TE Connectivity

NAME
名称

ON TAPING (EMBOSS)
0.5mm PITCH FINE MATE CONN.
TAB ASSEMBLY (H-TYPE)

PRODUCT SPEC
製品規格
108-5496

APPLICATION SPEC
取付適用規格

SIZE
A3

CAGE CODE
00779

DRAWING NO
番号
C-1747025

RESTRICTED TO

WEIGHT

CUSTOMER DRAWING

SCALE
尺度 4:1

SHEET
2 OF 2

REV
C1

X-ON Electronics

Largest Supplier of Electrical and Electronic Components

Click to view similar products for [Board to Board & Mezzanine Connectors](#) category:

Click to view products by [TE Connectivity](#) manufacturer:

Other Similar products are found below :

[589158040000018](#) [MDF7C-18P-2.54DSA\(55\)](#) [FCN-230C068-11](#) [FCN-268F012-G/BD](#) [FCN-268F036-G/BD](#) [FCN-268M012-G/0D](#) [FCN-268M024-G/1D](#) [FCN-723J004/1](#) [MIS-048-01-F-D-DP-K](#) [832-10-034-10-001000](#) [FX4C-80S-1.27DSA](#) [FCN-214Q030-G/0](#) [FCN-234P048-G/0](#) [FCN-235D050-G/C](#) [210-93-314-41-105000](#) [2-22603-0](#) [MDF7-40DP-2.54DSA\(55\)](#) [AXG720047](#) [5031084030](#) [MIT-114-03-F-D-K](#) [55323-1519](#) [DF33-2P-3.3DSA\(24\)](#) [YFT-20-05-H-03-SB-K](#) [503308-3040](#) [026-6203-PDB](#) [027-6203-PDB](#) [069159702701000](#) [10123981-102LF](#) [101A10019X](#) [55650-0588-C](#) [68682-310LF](#) [68684-306](#) [75140-7012](#) [87471-650](#) [194261-1](#) [FCN-268F024-G0D](#) [10124054-515LF](#) [68685-603](#) [8-1616154-3](#) [MIS-019-01-F-D](#) [541371078](#) [IL-WX-10PB-HF-B-E1000E](#) [FCN-268M024-G/3D](#) [20021832-06016C1LF](#) [KX15-20KLDL-E1000E](#) [MDF7-16DP-2.54DSA\(55\)](#) [AXE810124](#) [FCN-214J100-G/0](#) [FCN-230C068-E/S](#) [AXE812124](#)