

THIS DRAWING IS UNPUBLISHED.

RELEASED FOR PUBLICATION

APR, 1997.

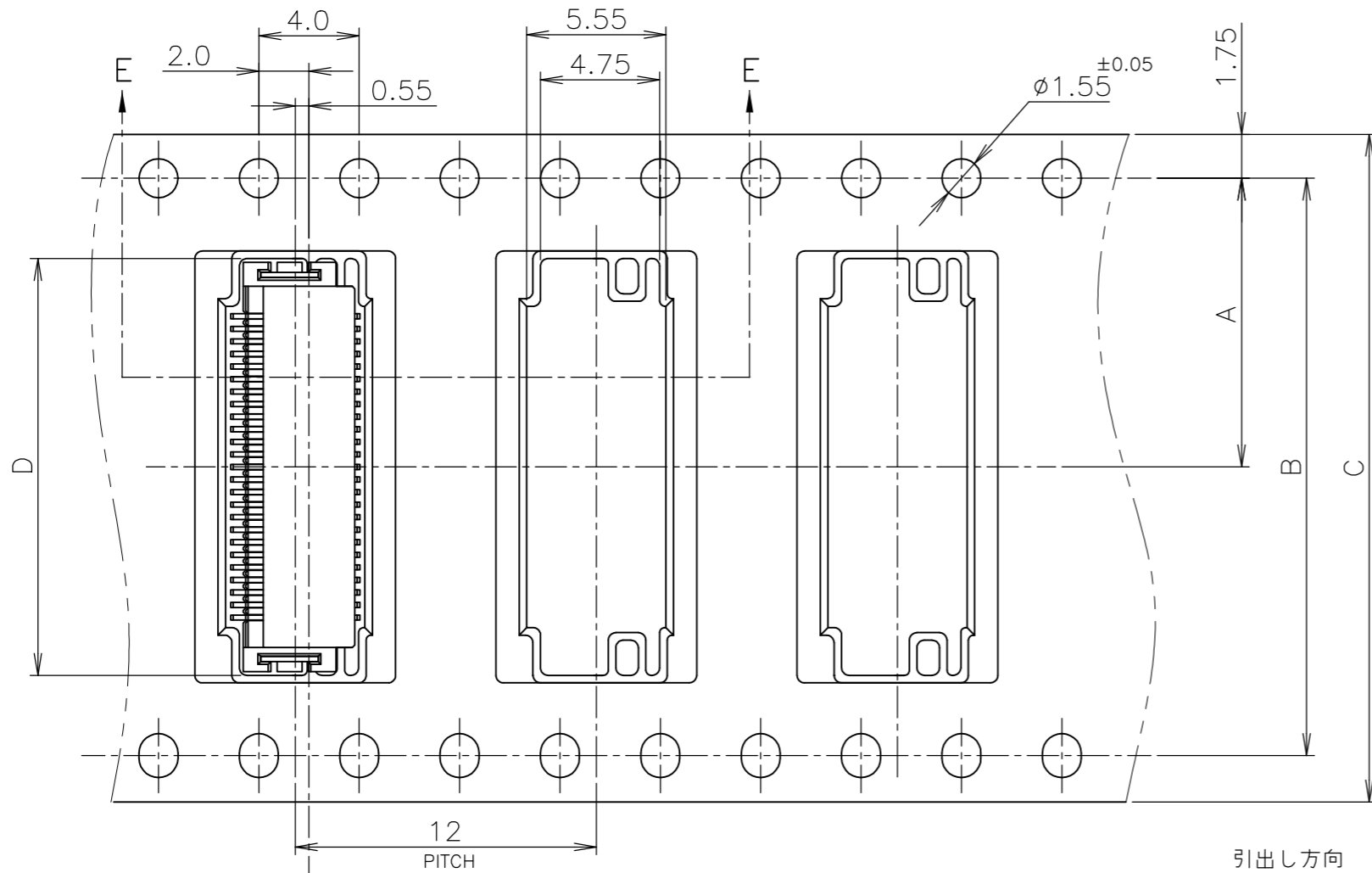
© COPYRIGHT 2004 By -

ALL RIGHTS RESERVED.

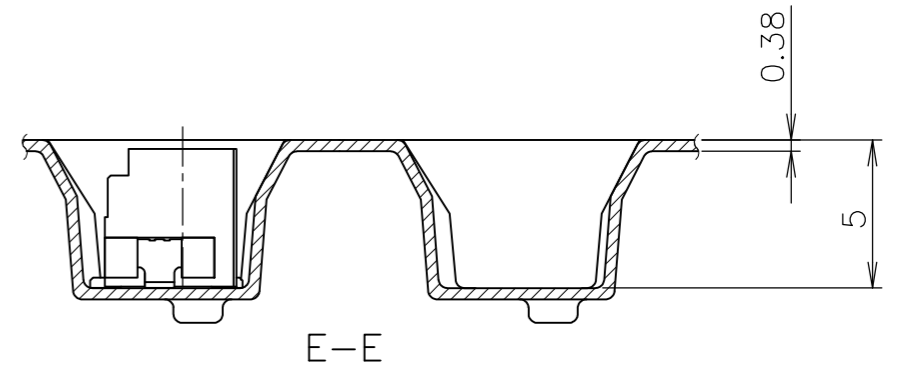
REVISIONS

変更

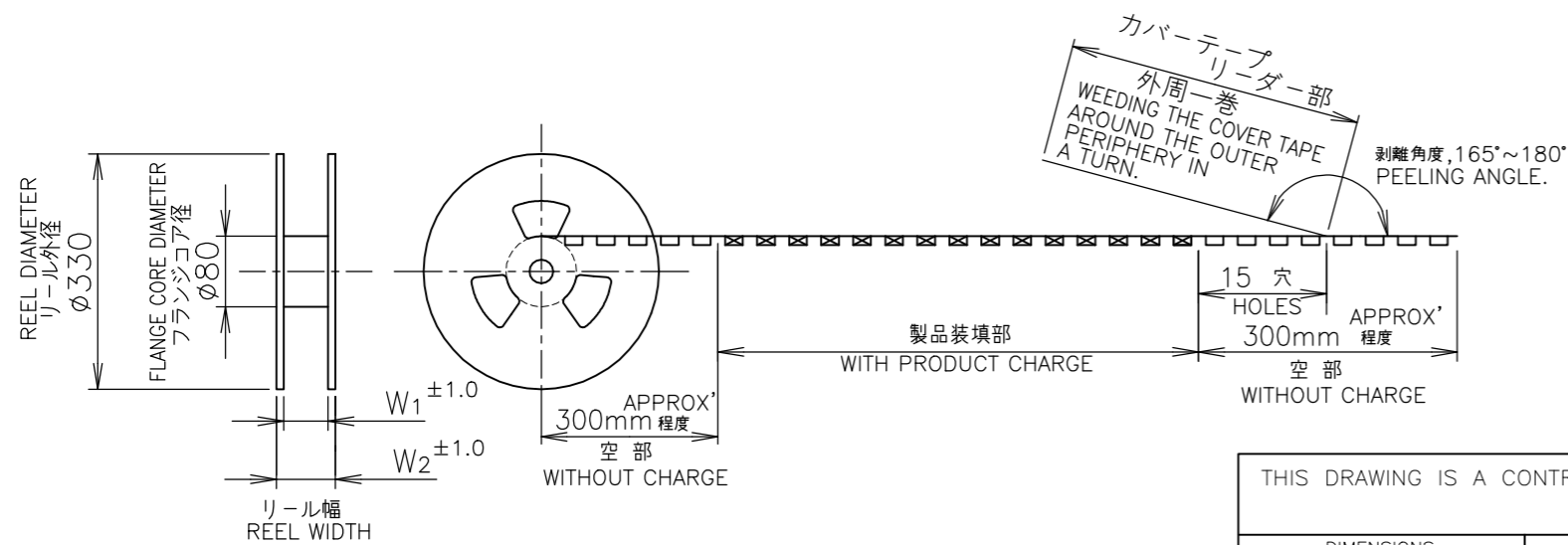
P	LTR	DESCRIPTION	DATE	DWN	APVD
	C	REVISED ECR-14-013112	30JAN2015	I.T	W.H
	C1	REVISED PER ECO-17-015460	19OCT2017	R.L	H.L



テープ幅  
TAPE WIDTH



引出し方向  
TOP OF REEL →



カバーテープ  
リーダー部  
外周一巻  
WEEDING THE COVER TAPE  
AROUND THE OUTER  
PERIPHERY IN  
A TURN.  
剥離角度, 165°~180°  
PEELING ANGLE.

鉛フリー  
LEAD FREE

THIS DRAWING IS A CONTROLLED DOCUMENT.

DIMENSIONS: 単位: 耗 MM	TOLERANCES UNLESS OTHERWISE SPECIFIED: 一般公差
0 PLC	± 0.3
1 PLC	± 0.3
2 PLC	± 0.3
3 PLC	± 0.3
4 PLC	± 0.3
ANGLES	± 3'

MATERIAL 材料  
FINISH 仕上

INSTRUCTION SHEET 取扱説明書 411-5808	WIRE RANGE 包含電線断面積	INSULATION DIA 被覆外径		
DWN BILL LV 21JAN2011	TE Connectivity			
CHK MARTIN LI 21JAN2011				
APVD STEVEN YAO 21JAN2011	NAME 名称			
PRODUCT SPEC 製品規格 108-5496	ON TAPING (EMBOSS) 0.5mm PITCH FINE MATE CONN. TAB ASSEMBLY (H-TYPE)			
APPLICATION SPEC 取付適用規格	SIZE A3	CAGE CODE 00779	DRAWING NO 番号 C-1747025	RESTRICTED TO
WEIGHT 0	SCALE 尺度 4:1		SHEET 1 OF 2	REV C1
CUSTOMER DRAWING				

4

3

2

1

THIS DRAWING IS UNPUBLISHED.

RELEASED FOR PUBLICATION

APR ,1997.

© COPYRIGHT 2004 By -

ALL RIGHTS RESERVED.

REVISIONS

変更

P	LTR	DESCRIPTION	DATE	DWN	APVD
-	-	SEE SHEET 1	-	-	-

鉛フリー  
LEAD FREE

OBSOLETE  
OBSOLETE

© OBSOLETE

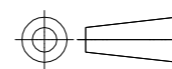
OBSOLETE  
© OBSOLETE

	DIMENSIONS										QTY/ REEL	POS	CONNECTOR P/N	TAPING P/N
	W2	W1	E	D	C	B	A							
WITH BOSS														
OBSOLETE	36.7	33.5	0.4	22.2	32	28.4	14.2	1000	70	5	1747023-45	1747022-4		
OBSOLETE	49.5	45.5	0.38	24.7	40	40.4	20.2	1000	80	5	1747023-35	1747022-3		
WITHOUT BOSS														
© OBSOLETE	20.2	17.5	0.38	9.1	16	//	7.5	1000	20		1747026-9	1747025-9		
	29.5	25.5	0.38	16.6	24	//	11.5	1000	50		1747026-6	1747025-6		
OBSOLETE	37.5	33.5	0.38	19.1	32	28.4	14.2	1000	60		1747026-5	1747025-5		
© OBSOLETE	37.5	33.5	0.38	21.6	32	28.4	14.2	1000	70		1747026-4	1747025-4		
	49.5	45.5	0.4	24.1	44	40.4	20.2	1000	80		1747023-3	1747025-3		
	49.5	45.5	0.38	29.1	40	40.4	20.2	1000	100		1747026-1	1747025-1		
BOSS														

INSTRUCTION SHEET 取扱説明書 411-5808	WIRE RANGE 包含電線断面積 -	INSULATION DIA 被覆外径 -
--	----------------------------	-----------------------------

THIS DRAWING IS A CONTROLLED DOCUMENT.

DIMENSIONS:  
単位: 耗  
MM



TOLERANCES UNLESS  
OTHERWISE SPECIFIED:  
一般公差

- 0 PLC ± 0.3
- 1 PLC ± 0.3
- 2 PLC ± 0.3
- 3 PLC ± 0.3
- 4 PLC ± 0.3
- ANGLES ± 3'

MATERIAL  
材料

FINISH  
仕上

DWN  
CHK  
APVD

**STE** TE Connectivity

NAME  
名称

ON TAPING (EMBOSS)  
0.5mm PITCH FINE MATE CONN.  
TAB ASSEMBLY (H-TYPE)

PRODUCT SPEC 製品規格 108-5496	APPLICATION SPEC 取付適用規格	SIZE A3	CAGE CODE 00779	DRAWING NO 番号 C-1747025	RESTRICTED TO
----------------------------------	----------------------------	------------	--------------------	-------------------------------	---------------

WEIGHT

CUSTOMER DRAWING

SCALE  
尺度 4:1

SHEET  
2 OF 2

REV  
C1

## X-ON Electronics

Largest Supplier of Electrical and Electronic Components

*Click to view similar products for [Board to Board & Mezzanine Connectors](#) category:*

*Click to view products by [TE Connectivity](#) manufacturer:*

Other Similar products are found below :

[10135583-642402LF](#) [89885-310LF](#) [589158040000018](#) [6-1393048-0](#) [68683-613](#) [MDF7-12DP-2.54DSA](#) [MDF7-18P-2.54DSA\(01\)](#) [MDF7-20DP-2.54DSA](#) [MDF7-26D-2.54DSA\(55\)](#) [MDF7-3P-2.54DSA\(01\)](#) [MDF7B-20P-2.54DSA\(01\)](#) [MDF7B-3P-2.54DSA\(55\)](#) [MDF7C-18P-2.54DSA\(55\)](#) [MDF7P-5P-2.54DSA\(55\)](#) [75234-0516](#) [FCN-230C068-11](#) [FCN-268F012-G/BD](#) [FCN-268F036-G/BD](#) [FCN-268M012-G/0D](#) [FCN-268M024-G/1D](#) [FCN-360C008-C](#) [FCN-723J004/1](#) [MIS-048-01-F-D-DP-K](#) [832-10-034-10-001000](#) [93696-325LF](#) [11828-1FA](#) [AXK630345P](#) [18097-0013](#) [2007042-2](#) [304400-2](#) [FCN-214Q030-G/0](#) [FCN-215Q040-G/0](#) [FCN-230C068-ESA](#) [FCN-234P048-G/0](#) [FCN-235D050-G/C](#) [FCN-360A3](#) [FCN-360C040-B](#) [210-93-314-41-105000](#) [2-22603-0](#) [379-064-521-202](#) [MDF7-12P-2.54DSA\(01\)](#) [MDF7-16P-2.54DS\(56\)](#) [MDF7-16P-2.54DSA\(55\)](#) [MDF7-40DP-2.54DSA\(55\)](#) [MDF7-8P-2.54DSA\(55\)](#) [AXG720047](#) [5031084030](#) [55323-1519](#) [DF33-2P-3.3DSA\(24\)](#) [DF33-2S-3.3C](#)