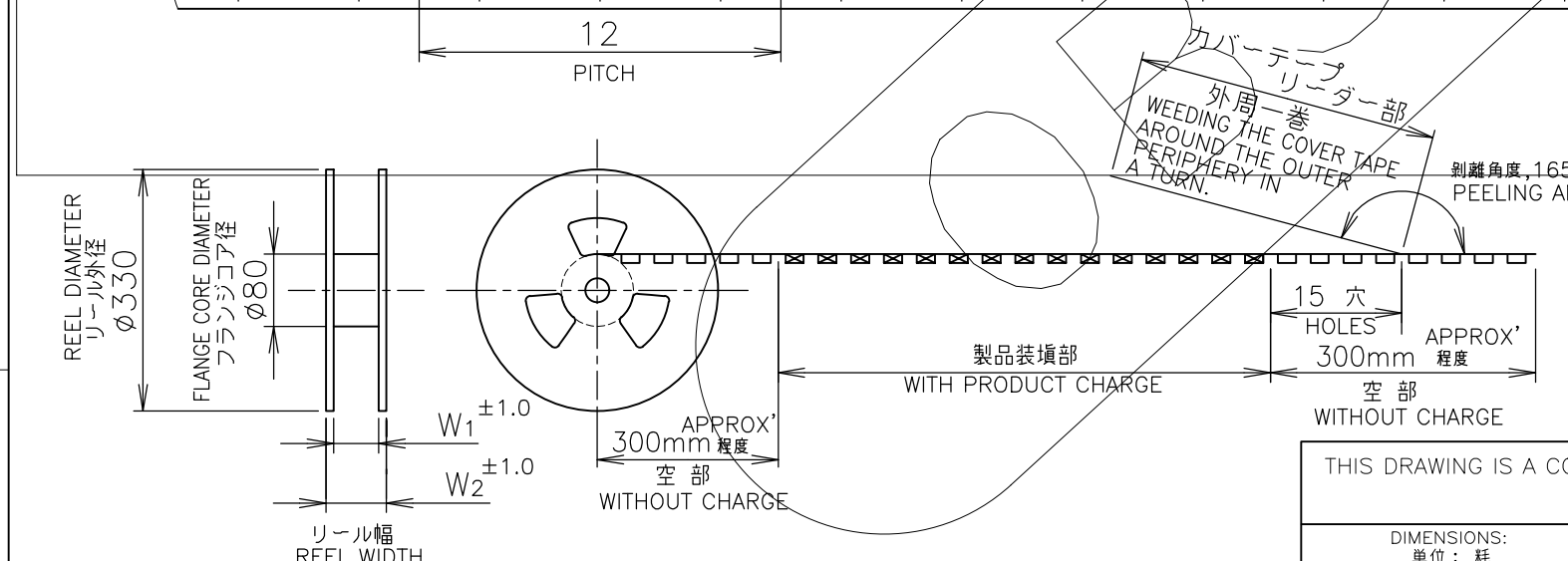
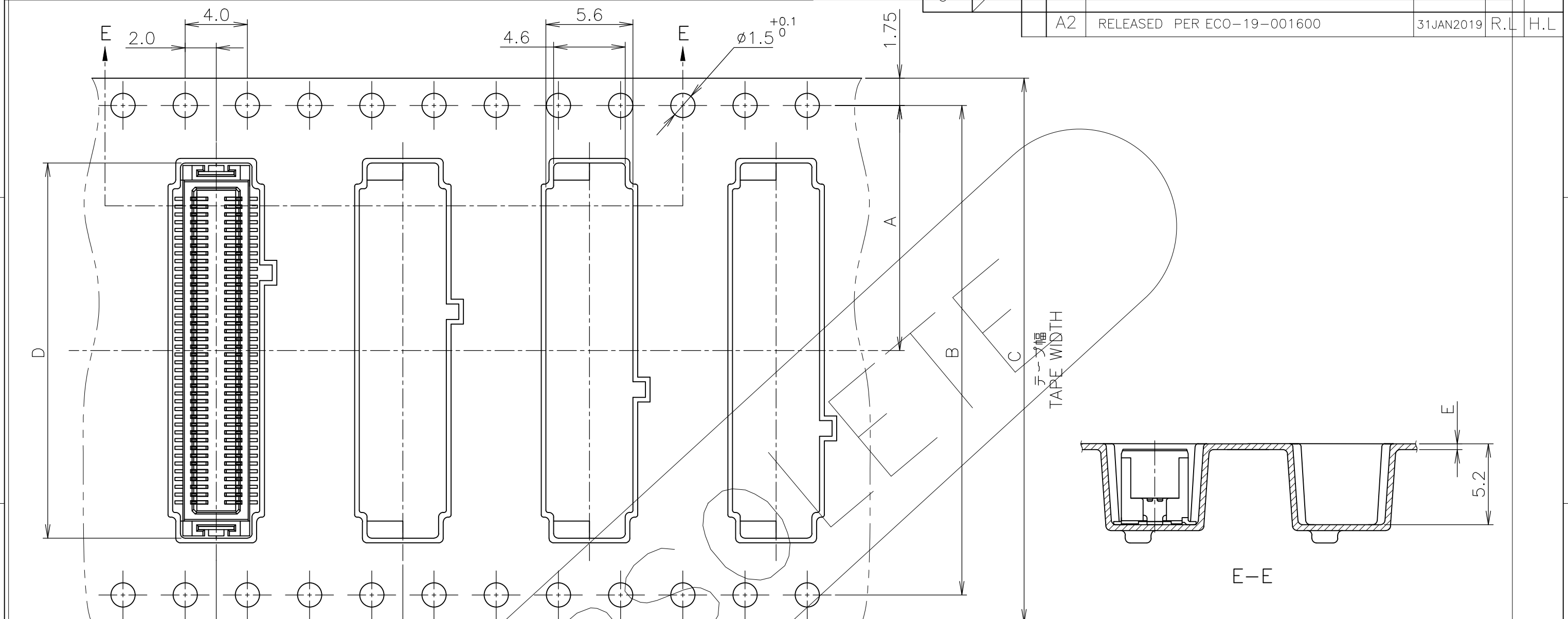


THIS DRAWING IS UNPUBLISHED. RELEASED FOR PUBLICATION . APR 2004
 © COPYRIGHT 2004 BY TYCO ELECTRONICS CORPORATION. ALL RIGHTS RESERVED.

LOC	DIST	REVISIONS					
J		P	LTR	DESCRIPTION	DATE	DWN	APVD
		A2		RELEASED PER ECO-19-001600	31JAN2019	R.L	H.L



カバーテープリーダ部
 外周一巻
 WEEDING THE COVER TAPE
 AROUND THE OUTER
 PERIPHERY IN
 A TURN.
 剥離角度, 165°~180°
 PEELING ANGLE.

引出し方向
 TOP OF REEL →

鉛フリー
 LEAD FREE

INSTRUCTION SHEET 取扱説明書 411-5808	WIRE RANGE 抱合電線断面積	INSULATION DIA 被覆外径
DWN Y.NAKAZAWA 23APR04	Tyco Electronics AMP K.K. Kawasaki, japan	
CHK T.KUSUHARA 23APR04	NAME 名称 ON TAPING (EMBOSS) 0.5mm PITCH FINE MATE CONN. TAB ASSEMBLY (V-TYPE) (H=6.0)	
APVD H.MURAMATSU 23APR04	PRODUCT SPEC 製品規格 108-5496	APPLICATION SPEC 取付適用規格
MATERIAL 材料	FINISH 仕上	RESTRICTED TO
WEIGHT	SIZE A3	CAGE CODE 00779
CUSTOMER DRAWING	DRAWING NO 番号 G-1747035	SCALE 尺度 4:1
	SHEET 1 OF 2	REV A2

4

3

2

1

THIS DRAWING IS UNPUBLISHED. RELEASED FOR PUBLICATION , .APR 2004
 © COPYRIGHT 2004 BY TYCO ELECTRONICS CORPORATION. ALL RIGHTS RESERVED.

LOC	DIST	REVISIONS					
J		P	LTR	DESCRIPTION	DATE	DWN	APVD
				SEE SHEET 1			

D

D

C

C

B

B

A

A



鉛フリー
LEAD FREE

WITH BOSS											QTY/ REEL	POS	CONNECTOR P/N	TAPING P/N
WITHOUT BOSS	28.7	25.5	0.4	16.6	24	11	11.5	1000	50	1747036-6	1747035-6			
	50.5	45.5	0.4	24.1	44	40.4	20.2	1000	80	1747036-3	1747035-3			
BOSS	W2	W1	E	D	C	B	A	DIMENSIONS						

INSTRUCTION SHEET 取扱説明書 411-5808		WIRE RANGE 抱合電線断面積		INSULATION DIA 被覆外径	
DWN		tyco Tyco Electronics AMP K.K.			
CHK		Electronics Kawasaki,japan			
APVD		NAME 名称 ON TAPING (EMBOSS) 0.5mm PITCH FINE MATE CONN. TAB ASSEMBLY (V-TYPE) (H=6.0)			
PRODUCT SPEC 製品規格 108-5496		SIZE	CAGE CODE	DRAWING NO 番号	RESTRICTED TO
APPLICATION SPEC 取付適用規格		A3	00779	C-1747035	
WEIGHT		SCALE 尺度 4:1		SHEET 2 OF 2	REV A2
CUSTOMER DRAWING					

THIS DRAWING IS A CONTROLLED DOCUMENT.	
DIMENSIONS: 単位: 耗 MM	TOLERANCES UNLESS OTHERWISE SPECIFIED: 一般公差
	0 PLC ± 0.3
	1 PLC ± 0.3
	2 PLC ± 0.3
	3 PLC ± 0.3
	4 PLC ± 0.3
	ANGLES ± 3'
MATERIAL 材料	FINISH 仕上

X-ON Electronics

Largest Supplier of Electrical and Electronic Components

Click to view similar products for [Board to Board & Mezzanine Connectors](#) category:

Click to view products by [TE Connectivity](#) manufacturer:

Other Similar products are found below :

[10135583-642402LF](#) [89885-310LF](#) [589158040000018](#) [6-1393048-0](#) [68683-613](#) [MDF7-12DP-2.54DSA](#) [MDF7-18P-2.54DSA\(01\)](#) [MDF7-20DP-2.54DSA](#) [MDF7-26D-2.54DSA\(55\)](#) [MDF7-3P-2.54DSA\(01\)](#) [MDF7B-20P-2.54DSA\(01\)](#) [MDF7B-3P-2.54DSA\(55\)](#) [MDF7C-18P-2.54DSA\(55\)](#) [MDF7P-5P-2.54DSA\(55\)](#) [75234-0516](#) [FCN-230C068-11](#) [FCN-268F012-G/BD](#) [FCN-268F036-G/BD](#) [FCN-268M012-G/0D](#) [FCN-268M024-G/1D](#) [FCN-360C008-C](#) [FCN-723J004/1](#) [MIS-048-01-F-D-DP-K](#) [832-10-034-10-001000](#) [93696-325LF](#) [11828-1FA](#) [AXK630345P](#) [18097-0013](#) [2007042-2](#) [304400-2](#) [FCN-214Q030-G/0](#) [FCN-215Q040-G/0](#) [FCN-230C068-ESA](#) [FCN-234P048-G/0](#) [FCN-235D050-G/C](#) [FCN-360A3](#) [FCN-360C040-B](#) [210-93-314-41-105000](#) [2-22603-0](#) [379-064-521-202](#) [MDF7-12P-2.54DSA\(01\)](#) [MDF7-16P-2.54DS\(56\)](#) [MDF7-16P-2.54DSA\(55\)](#) [MDF7-40DP-2.54DSA\(55\)](#) [MDF7-8P-2.54DSA\(55\)](#) [AXG720047](#) [5031084030](#) [55323-1519](#) [DF33-2P-3.3DSA\(24\)](#) [DF33-2S-3.3C](#)