

4

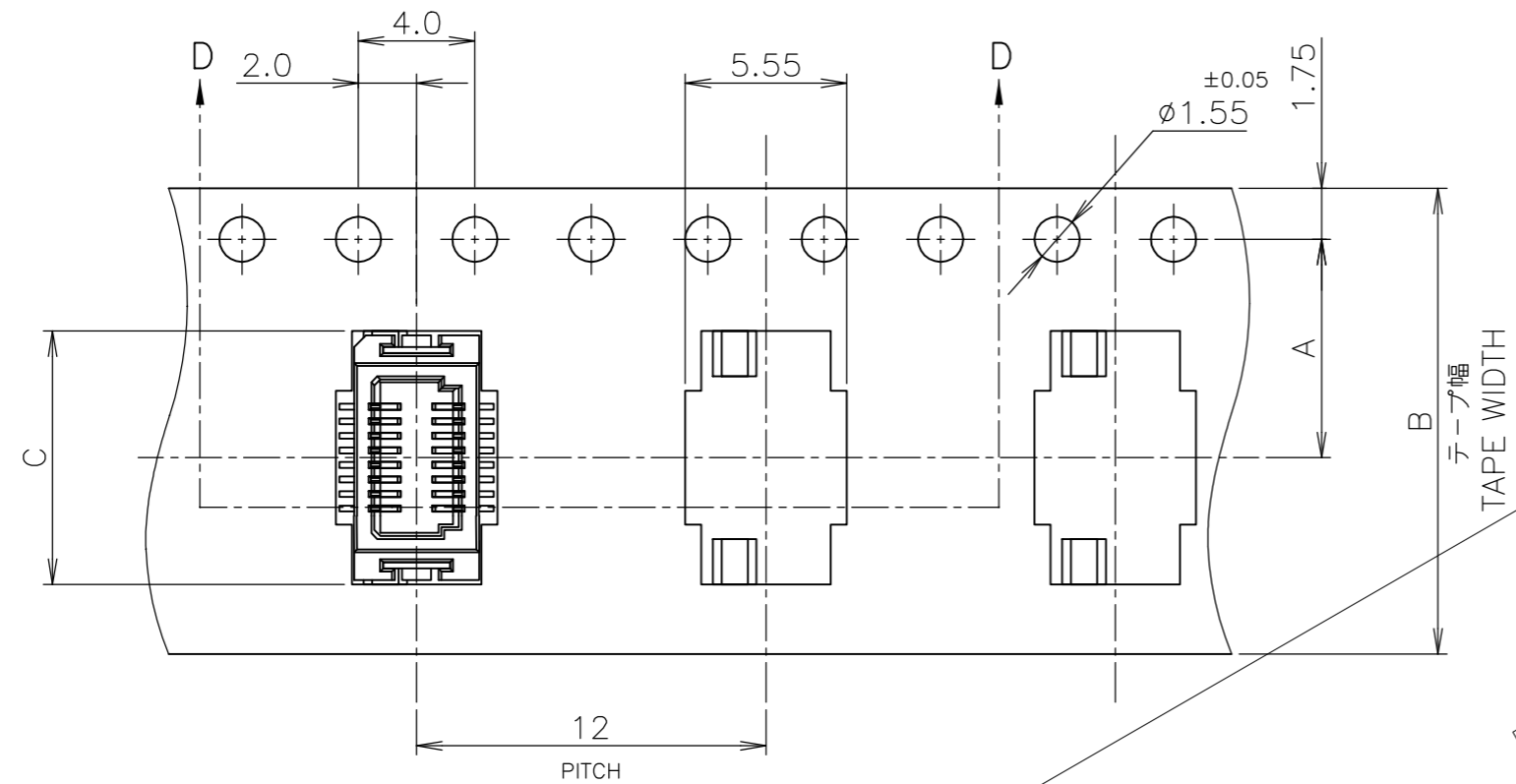
3

2

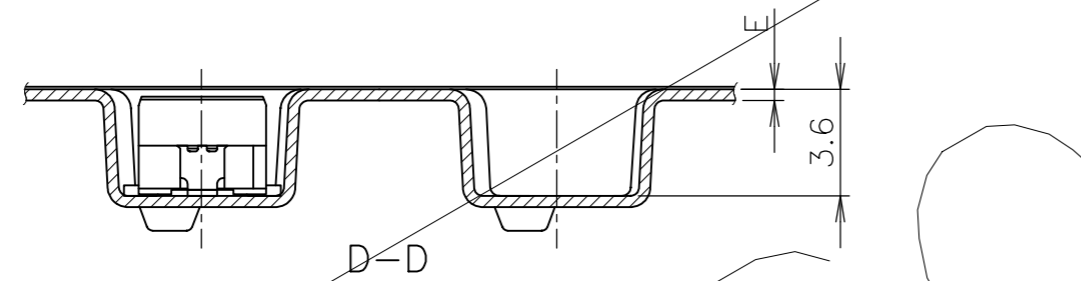
1

THIS DRAWING IS UNPUBLISHED. RELEASED FOR PUBLICATION APR ,2004.  
 © COPYRIGHT 2004 By - ALL RIGHTS RESERVED.

REVISIONS				
P	LTR	DESCRIPTION	DATE	APVD
A2		RELEASED ECO-18-008173	28MAY2018	R.L H.L

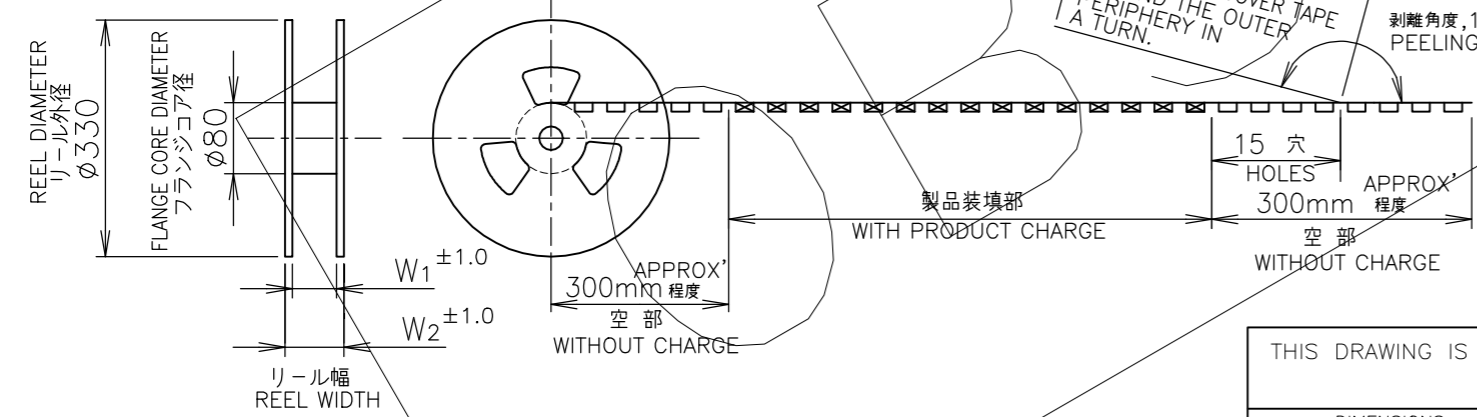


引出し方向  
TOP OF REEL



カバーテープ  
外周一巻  
WEEDING AROUND THE COVER TAPE PERIPHERY IN A TURN.  
剥離角度, 165°~180°  
PEELING ANGLE.

鉛フリー  
LEAD FREE



THIS DRAWING IS A CONTROLLED DOCUMENT.

DIMENSIONS: 単位: 耗 MM	TOLERANCES UNLESS OTHERWISE SPECIFIED: 一般公差
	0 PLC $\pm 0.3$
	1 PLC $\pm 0.3$
	2 PLC $\pm 0.3$
	3 PLC $\pm 0.3$
	4 PLC $\pm 0.3$
	ANGLES $\pm 3'$

MATERIAL 材料 FINISH 仕上

INSTRUCTION SHEET 取扱説明書 411-5808	WIRE RANGE 包含電線断面積	INSULATION DIA 被覆外径
DWN Y.NAKAZAWA 23APR04	TE Connectivity Ltd.	
CHK T.KUSUHARA 23APR04		
APVD H.MURAMATSU 23APR04	NAME 名称	
PRODUCT SPEC 製品規格 108-5496	0.5mm PITCH FINE MATE CONN. TAB ASSEMBLY WITH KEY (H=4.5)	
APPLICATION SPEC 取付適用規格	SIZE A3	CAGE CODE 00779
WEIGHT	DRAWING NO 番号 C-1747038	RESTRICTED TO
CUSTOMER DRAWING	SCALE 尺度 4:1	SHEET 1 of 2
		REV A2

4

3

2

1

THIS DRAWING IS UNPUBLISHED.

RELEASED FOR PUBLICATION

APR ,2004.

© COPYRIGHT 2004 By -

ALL RIGHTS RESERVED.

REVISIONS

変更

P	LTR	DESCRIPTION	DATE	DWN	APVD
-	-	SEE SHEET 1	-	-	-

D

D

C

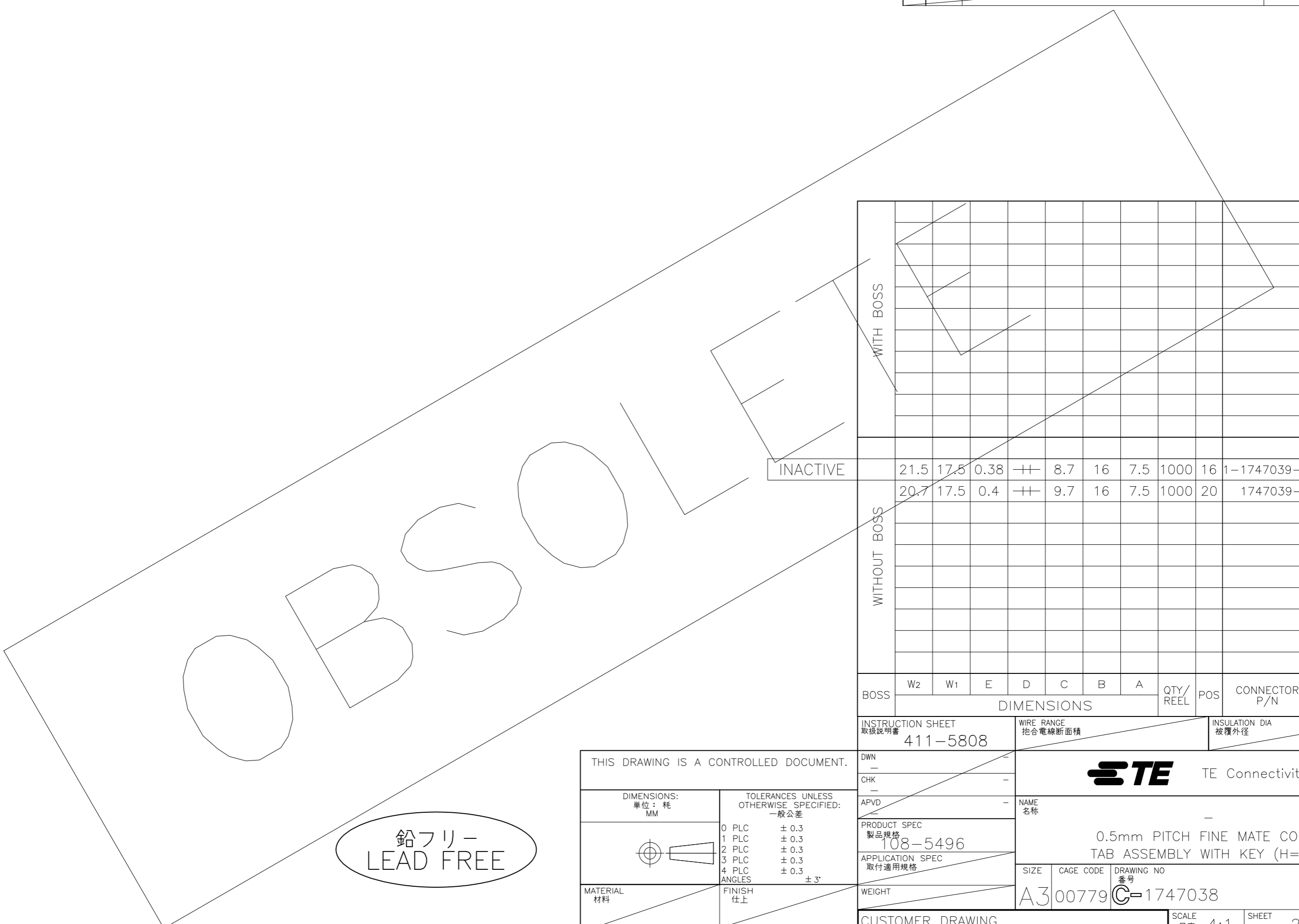
C

B

B

A

A



INACTIVE

WITH BOSS

WITHOUT BOSS

BOSS	W2	W1	E	D	C	B	A	QTY/ REEL	POS	CONNECTOR P/N	TAPING P/N
	21.5	17.5	0.38	++	8.7	16	7.5	1000	16	1-1747039-0	1-1747038-0
	20.7	17.5	0.4	++	9.7	16	7.5	1000	20	1747039-9	1747038-9

鉛フリー  
LEAD FREE

THIS DRAWING IS A CONTROLLED DOCUMENT.

DIMENSIONS: 単位: 耗 MM	TOLERANCES UNLESS OTHERWISE SPECIFIED: 一般公差
	0 PLC ± 0.3
	1 PLC ± 0.3
	2 PLC ± 0.3
	3 PLC ± 0.3
	4 PLC ± 0.3
	ANGLES ± 3'

MATERIAL  
材料

FINISH  
仕上

DWN  
\_

CHK  
\_

APVD  
\_

PRODUCT SPEC  
製品規格  
108-5496

APPLICATION SPEC  
取付適用規格

WEIGHT

CUSTOMER DRAWING

INSTRUCTION SHEET  
取扱説明書  
411-5808

WIRE RANGE  
包含電線断面積

INSULATION DIA  
被覆外径

**STE** TE Connectivity Ltd.

NAME  
名称

0.5mm PITCH FINE MATE CONN.  
TAB ASSEMBLY WITH KEY (H=4.5)

SIZE	CAGE CODE	DRAWING NO 番号	RESTRICTED TO
A3	00779	C-1747038	-

SCALE  
尺度 4:1

SHEET  
2 OF 2

REV  
A2

## X-ON Electronics

Largest Supplier of Electrical and Electronic Components

*Click to view similar products for [Board to Board & Mezzanine Connectors](#) category:*

*Click to view products by [TE Connectivity](#) manufacturer:*

Other Similar products are found below :

[10135583-642402LF](#) [89885-310LF](#) [589158040000018](#) [6-1393048-0](#) [68683-613](#) [MDF7-12DP-2.54DSA](#) [MDF7-18P-2.54DSA\(01\)](#) [MDF7-20DP-2.54DSA](#) [MDF7-26D-2.54DSA\(55\)](#) [MDF7-3P-2.54DSA\(01\)](#) [MDF7B-20P-2.54DSA\(01\)](#) [MDF7B-3P-2.54DSA\(55\)](#) [MDF7C-18P-2.54DSA\(55\)](#) [MDF7P-5P-2.54DSA\(55\)](#) [75234-0516](#) [FCN-230C068-11](#) [FCN-268F012-G/BD](#) [FCN-268F036-G/BD](#) [FCN-268M012-G/0D](#) [FCN-268M024-G/1D](#) [FCN-360C008-C](#) [FCN-723J004/1](#) [MIS-048-01-F-D-DP-K](#) [832-10-034-10-001000](#) [93696-325LF](#) [11828-1FA](#) [AXK630345P](#) [18097-0013](#) [2007042-2](#) [304400-2](#) [FCN-214Q030-G/0](#) [FCN-215Q040-G/0](#) [FCN-230C068-ESA](#) [FCN-234P048-G/0](#) [FCN-235D050-G/C](#) [FCN-360A3](#) [FCN-360C040-B](#) [210-93-314-41-105000](#) [2-22603-0](#) [379-064-521-202](#) [MDF7-12P-2.54DSA\(01\)](#) [MDF7-16P-2.54DS\(56\)](#) [MDF7-16P-2.54DSA\(55\)](#) [MDF7-40DP-2.54DSA\(55\)](#) [MDF7-8P-2.54DSA\(55\)](#) [AXG720047](#) [5031084030](#) [55323-1519](#) [DF33-2P-3.3DSA\(24\)](#) [DF33-2S-3.3C](#)