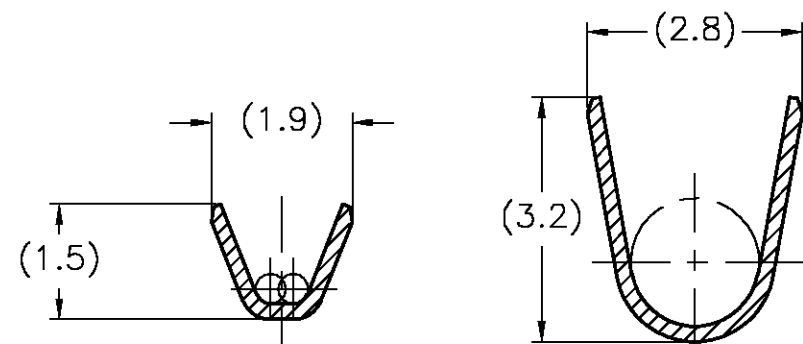
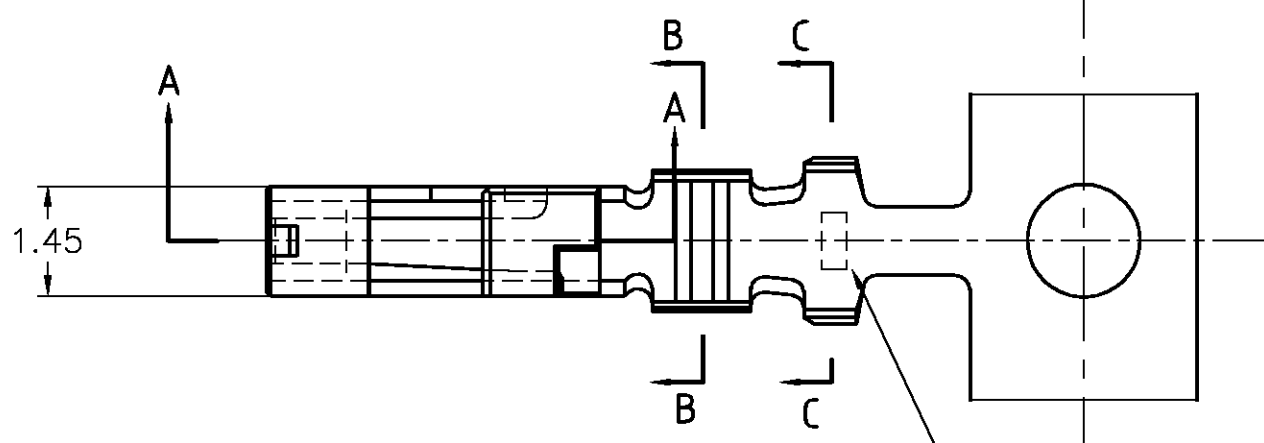
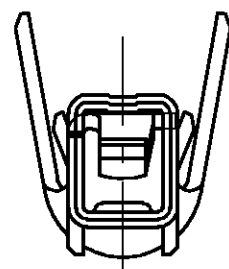
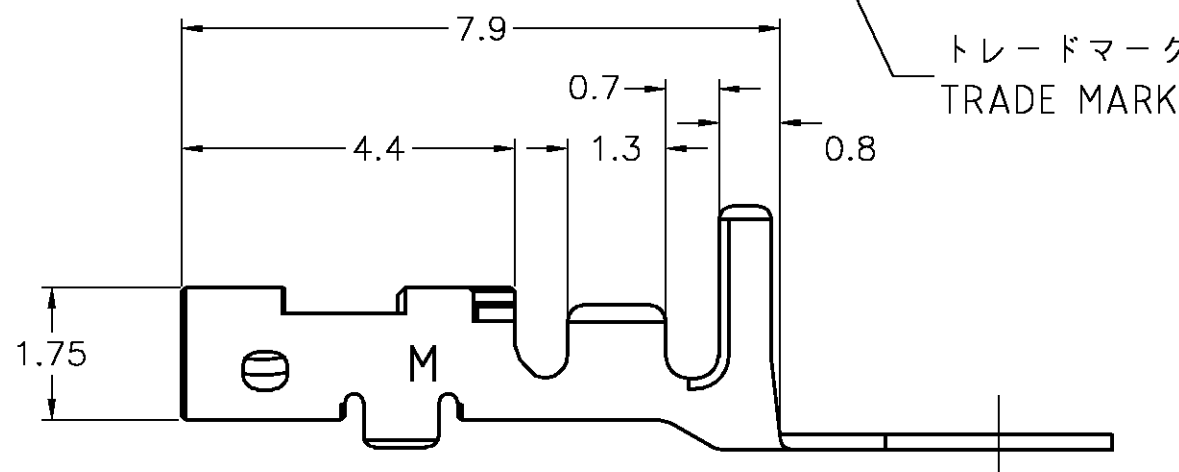


THIS DRAWING IS UNPUBLISHED. RELEASED FOR PUBLICATION
 © COPYRIGHT BY TYCO ELECTRONICS CORPORATION. ALL RIGHTS RESERVED.

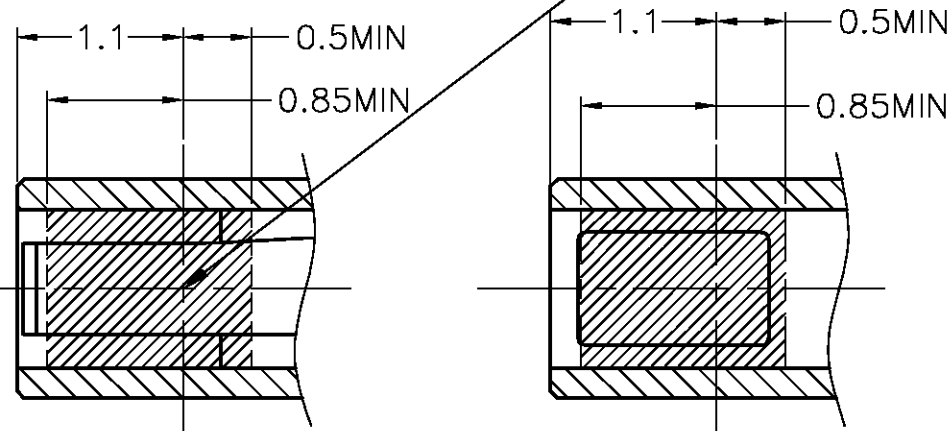
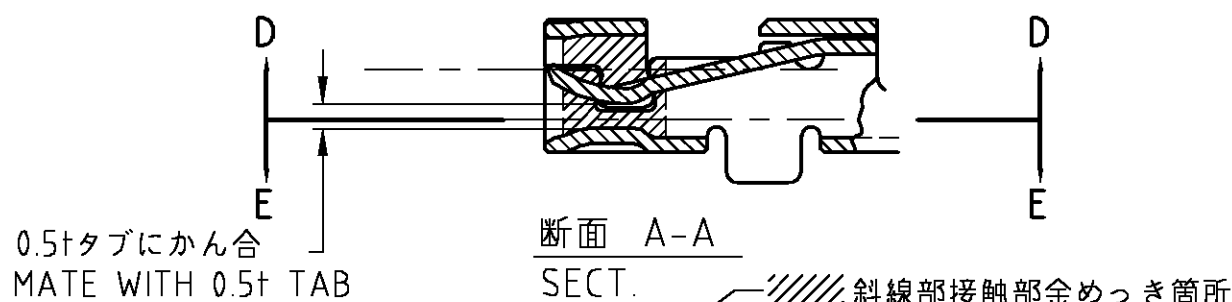
LOC	DIST	REVISIONS					
		P	LTR	DESCRIPTION	DATE	DWN	APVD
J	—	B		REVISED ECR-06-012985	30MAY'06	J.S	N.Y
		C		REVISED ECR-08-019044	30JUL'08	J.S	S.M



断面 B-B SECT. 断面 C-C SECT.



注；
 1. 適用プラグ・ハウジング型番 X-1747066-2~8
 NOTES;
 1. APPLICABLE PLUG HOUSING P/N ; X-1747066-2~8



断面 A-A SECT. 斜線部接触部金めっき箇所

断面 D-D (SCALE 20:1)

断面 E-E (SCALE 20:1)

AWG#28~#22 0.079~0.38mm ²	Φ1.08~Φ1.9	PHOS-BRO, FINISH: Au, OVIER Ni 下地: Niめっき, 仕上: 金めっき・リン青銅	1747063-1
WIRE RANGE 導体断面積	INSULATION DIA 被覆外径	MATERIAL 材料	PART No. 型番

THIS DRAWING IS A CONTROLLED DOCUMENT.		DWN T.HATANO 01OCT2004	Tyco Electronics AMP K.K. Kawasaki, Japan	
DIMENSIONS: 単位: 概 mm		CHK N.YAMASAKI 01OCT2004	NAME GRACE INERTIA CONNECTOR 2.5 REC CONTACT (M TYPE)	
TOLERANCES UNLESS OTHERWISE SPECIFIED: 一般公差		APVD N.YAMASAKI 01OCT2004	PRODUCT SPEC 製品規格 108-5992	
0 PLD ±0.3 1 PLC ±- 2 PLC ±- 3 PLC ±- 4 PLC ±- ANGLES ±3deg		APPLICATION SPEC 取付適用規格 114-5359	SIZE A3	CAGE CODE 00779
MATERIAL 材料	FINISH 仕上	WEIGHT -	DRAWING NO 番号 C-1747063	RESTRICTED TO -
CUSTOMER DRAWING			SCALE 尺度 10:1	SHEET 1 OF 1 REV C

X-ON Electronics

Largest Supplier of Electrical and Electronic Components

Click to view similar products for [Headers & Wire Housings](#) category:

Click to view products by [TE Connectivity](#) manufacturer:

Other Similar products are found below :

[95000-104TRLF](#) [10135584-644402LF](#) [DF62W-EP2022PCA](#) [95000-106TRLF](#) [DF62W-2022SCA](#) [DF62W-EP2022PC](#) [2203348](#) [DF62W-2022SC](#) [1084018](#) [1029039](#) [1084017](#) [802-10-012-10-002000](#) [1112640](#) [1112639](#) [891-007-9SS-BST1T](#) [000-34000](#) [0008550134](#) [0009482033](#) [0009507031](#) [57102-F02-18ULF](#) [57102-S06-03LF](#) [57202-S52-04LF](#) [PCN6-15S-2.5E](#) [0039019024](#) [58102-G61-06LF](#) [582553-1](#) [0009485154](#) [0009508121](#) [0022285053](#) [0050291907](#) [018731A](#) [LY20-4P-DT1-P1E-BR](#) [02.125.8002.8](#) [60101931](#) [60598-1 \(Cut Strip\)](#) [M1625-3R/100](#) [61062-3](#) [61082-181009](#) [CSU011177004](#) [636-1427](#) [638009-1](#) [641938-9](#) [641991-4](#) [644168-1](#) [644827-2](#) [647662-1](#) [65039-019ELF](#) [65692-001LF](#) [65781-018](#) [65781-047](#)