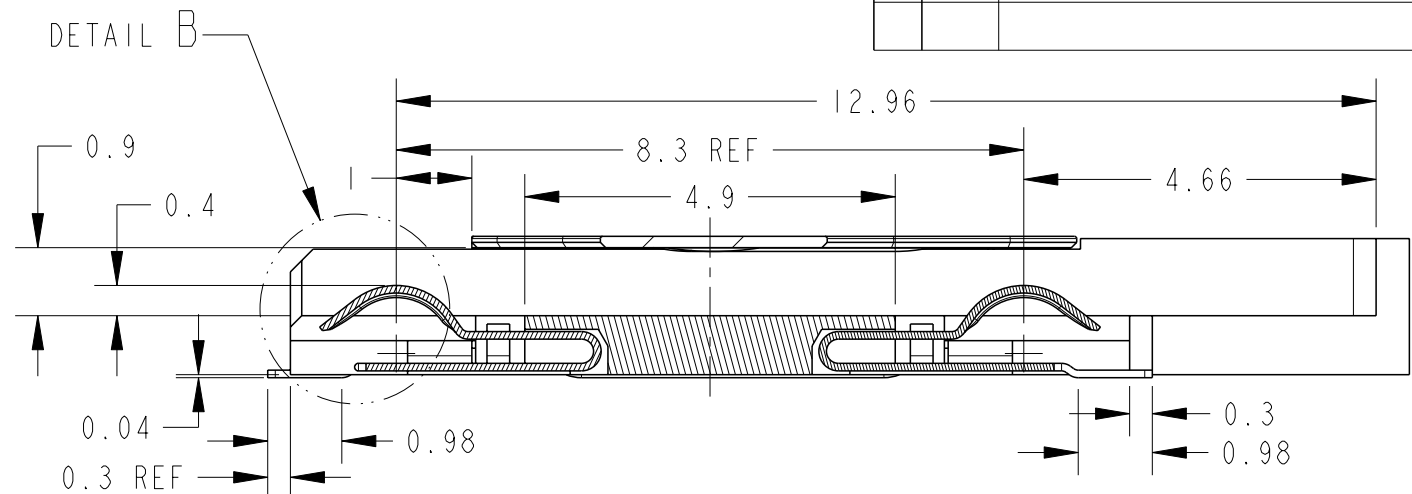
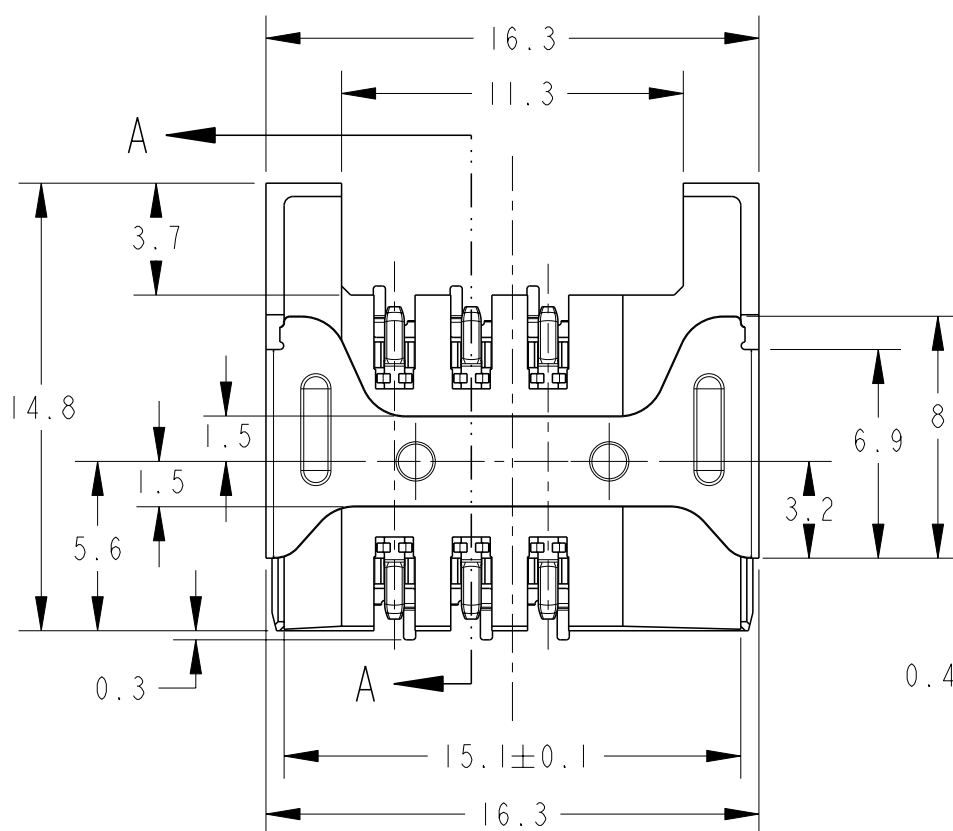
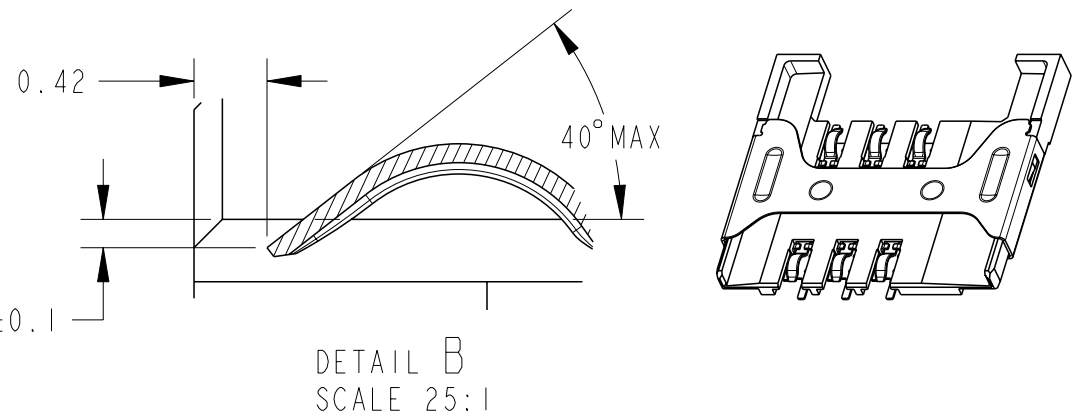


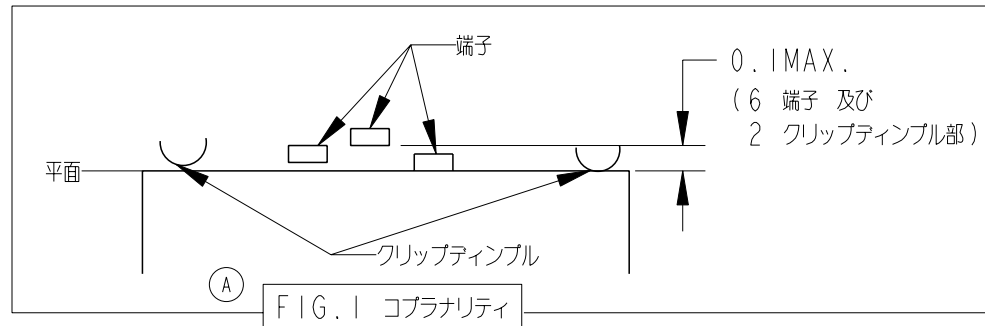
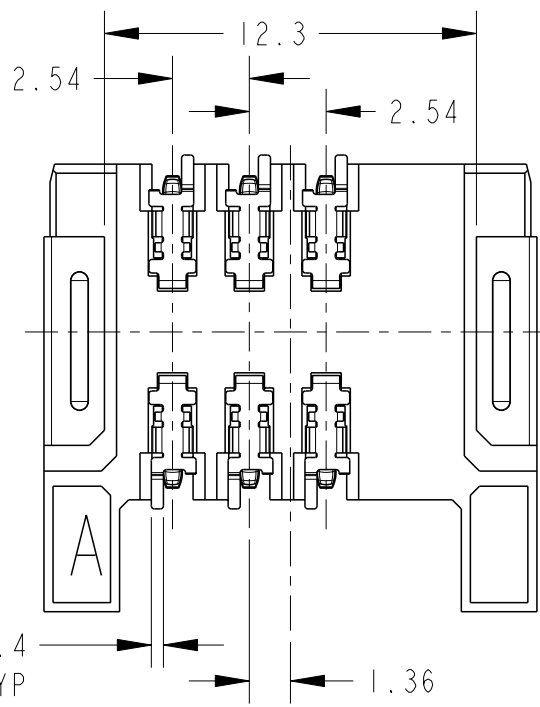
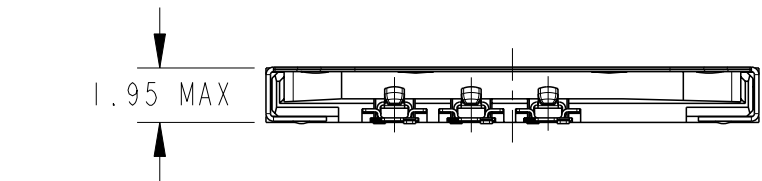
LOC	DIST	REVISIONS 変更			
P	LTR	DESCRIPTION	DATE	DWN	APVD
J	-	B1 REVISED	13SEP2012	C.O	K.K



- | ; 本図
 - | ; AS SHOWN
 SECT A-A
 SCALE 10:1



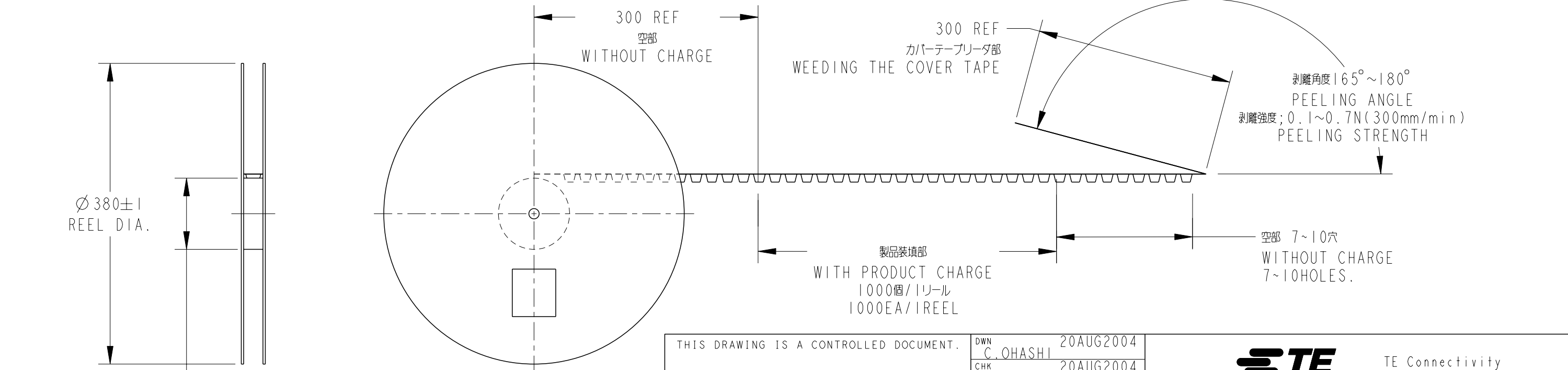
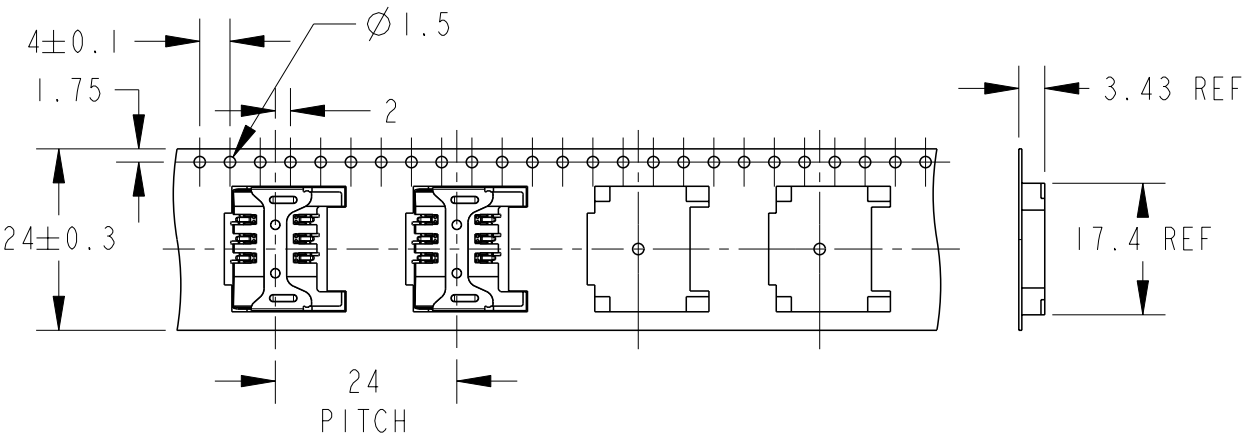
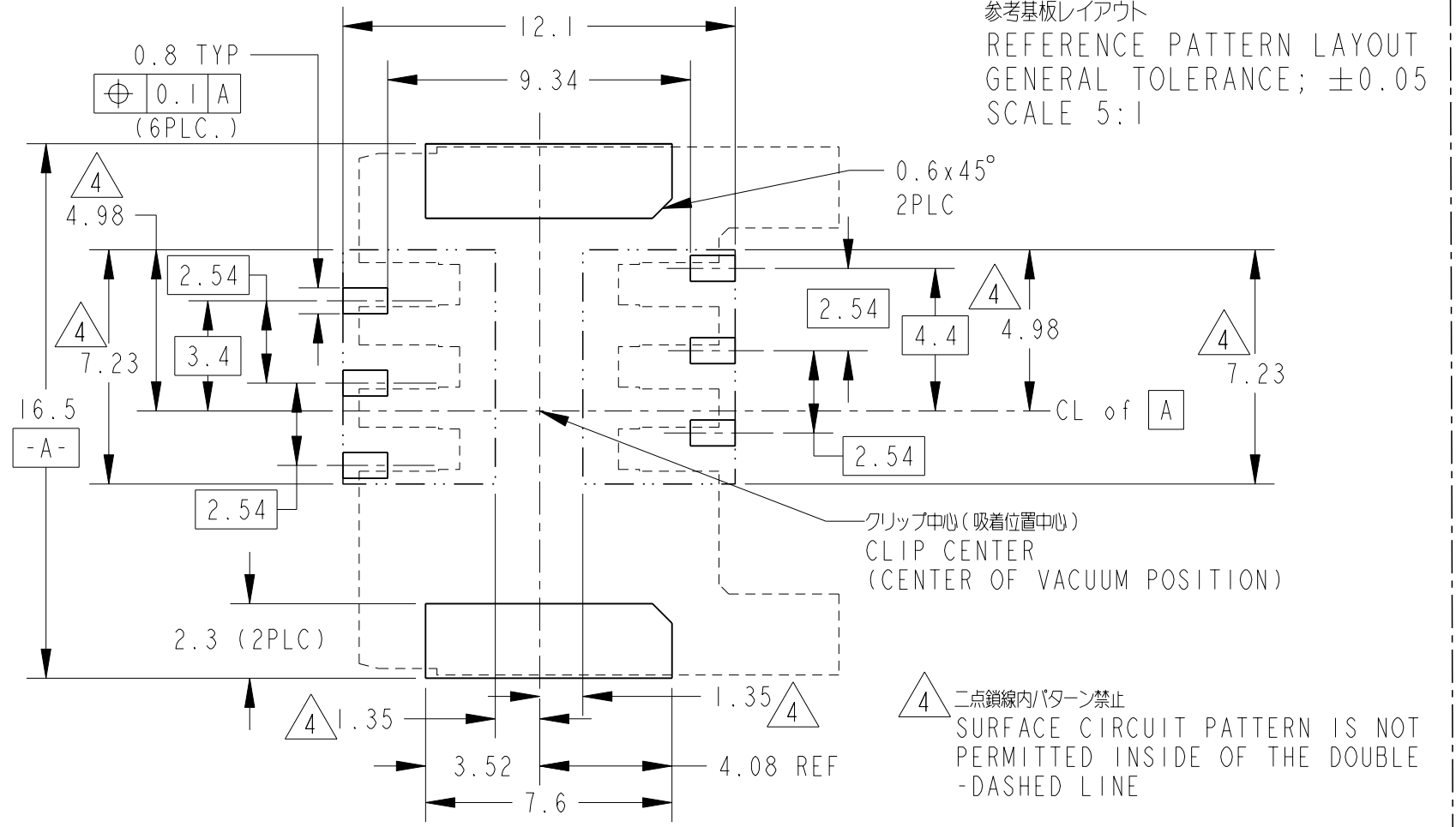
- CONTACT: COPPER ALLOY
 ALL OVER Ni: 1.27μm MIN.
 CONTACT AREA PdNi: 1.0μm MIN. Au: 0.2μm MIN.
 SOLDERING AREA Au: 0.05μm MIN.
- CLIP: SUS
 ALL OVER Ni: 1.3μm MIN.
 Tin: 1μm MIN.
- HOUSING: THERMOPLASTIC
- RECOMMENDED SOLDERING THICKNESS; 100μm MIN.
 RECOMMENDED SOLDERING AREA;
 100% OF REFERENCE LAYOUT PATTERN
- COPLANARITY; 0.1mm MAX. (SEE FIG.1)



THIS DRAWING IS A CONTROLLED DOCUMENT.		DWN C. OHASHI 20AUG2004	TE Connectivity NAME SUPER LOW PROFILE SIM HI.95	
DIMENSIONS: 単位: 耗 mm		CHK T. KIMURA 20AUG2004		
TOLERANCES UNLESS OTHERWISE SPECIFIED: 一般公差 ±0.15		APVD K. IKEGAMI 20AUG2004	DRAWING NO C=1747314	
0-PLC ±		PRODUCT SPEC 製品規格 108-5998	RESTRICTED TO	
1-PLC ±0.5		APPLICATION SPEC 取付適用規格	-	
2-PLC ±0.13		WEIGHT (計算値) 0.36g	SIZE A3	CAGE CODE 00779
3-PLC ±0.013		CUSTOMER DRAWING	SCALE 尺度 4:1	
4-PLC ±0.0001			SHEET 1 OF 2	
ANGLES ±			REV B1	
FINISH 仕上				

THIS DRAWING IS UNPUBLISHED. RELEASED FOR PUBLICATION 20
 © COPYRIGHT 20 BY Tyco Electronics Japan G.K. ALL RIGHTS RESERVED.

LOC	DIST	REVISIONS					
		P	LTR	DESCRIPTION	DATE	DWN	APVD
J	-			SEE SHEET 1	-	-	-



FRANGE CORE DIA
 Ø90±24.4⁺²/₀
 30.4 MAX
 REEL WIDTH

THIS DRAWING IS A CONTROLLED DOCUMENT.		DWN C. OHASHI 20AUG2004	TE Connectivity		
DIMENSIONS: mm		CHK T. KIMURA 20AUG2004			
TOLERANCES UNLESS OTHERWISE SPECIFIED:		APVD K. IKEGAMI 20AUG2004	NAME SUPER LOW PROFILE SIM HI.95		
0 PLC ±- 1 PLC ±0.5 2 PLC ±0.13 3 PLC ±0.013 4 PLC ±0.0001 ANGLES ±-		PRODUCT SPEC 108-5998	SIZE A3	CAGE CODE 00779	DRAWING NO C-1747314
MATERIAL -		FINISH -	RESTRICTED TO	-	
		WEIGHT 0.36g	SCALE 4:1	SHEET 2	OF 2
		CUSTOMER DRAWING	REV B1		

X-ON Electronics

Largest Supplier of Electrical and Electronic Components

Click to view similar products for [Memory Card Connectors](#) category:

Click to view products by [TE Connectivity](#) manufacturer:

Other Similar products are found below :

[M21-033321-005](#) [6426-201-21343](#) [69.920.0553.0](#) [MCR60A-98D-2.54DSA\(70\)](#) [FCN-568P068-G/07-4V](#) [809180410000000](#) [95622-003LF](#)
[DM3AT-SF-PEJM5\(41\)](#) [EN2997S72039F6](#) [N7E50-7516PG-20-WF](#) [IC11S-BUR-PNEJL\(71\)](#) [NX30TA-15PAA\(50\)](#) [NX60TA-25SAA9-](#)
[SP\(50\)](#) [21920-5](#) [2041353-2](#) [FUA006-3220-0](#) [33CFAE-DN](#) [MI21A-50PD-SF-EJR\(91\)](#) [502431-1011](#) [5175651-2](#) [10-247926-166](#)
[EN2997S02039B8](#) [EN2997S61212BN](#) [EN2997S72039B6](#) [EN2997SE02039B8](#) [EN2997SE61212BN](#) [EN2997SE72039B6](#) [NX1-32T-](#)
[KT3K\(05\)](#) [95622-003LF](#) [91-570124-15P](#) [192900-0488](#) [DM1AA-SF-PEJ](#) [95079-00CALF](#) [84648-056HLF](#) [68-580163-21S](#) [33DVIR-29S12R](#)
[SF58S006VBBR2000](#) [93-570123-08P](#) [GMC020080HR](#) [125A-78C00](#) [1010040575#](#) [MI20A-50PD-SF-EJL\(71\)](#) [KP10S-SF-PEJ\(812\)](#)
[DM1AA-SF-PEJ\(31\)](#) [FO-10GGBLCX20-002](#) [504536-0691](#) [115S-ACA2](#) [115S-ACA3](#) [115S-BS00](#) [115S-BT00](#)