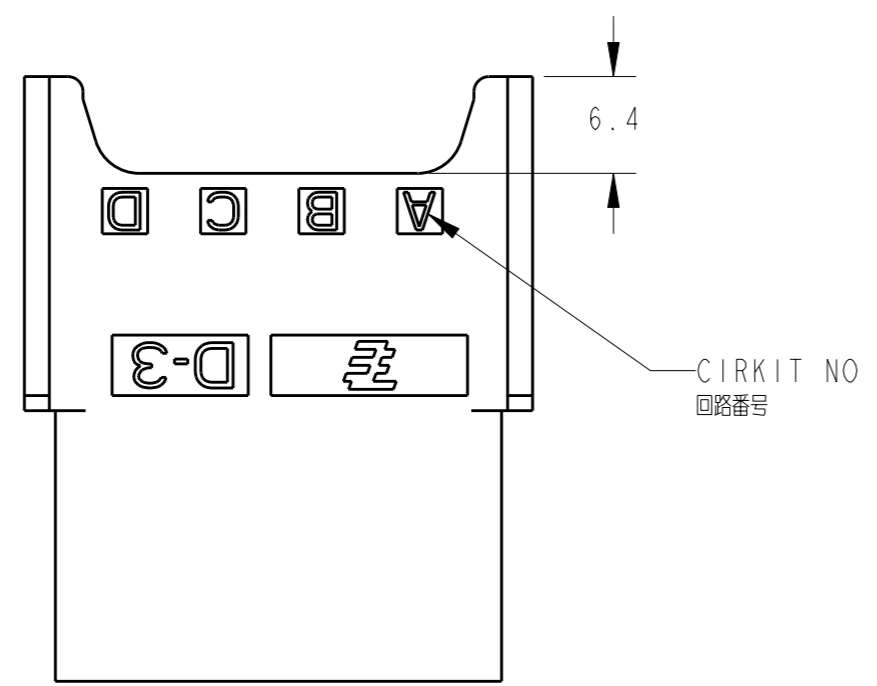
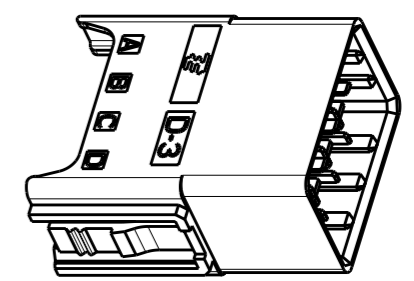


THIS DRAWING IS UNPUBLISHED. RELEASED FOR PUBLICATION 20  
 © COPYRIGHT 20 BY TYCO ELECTRONICS CORPORATION. ALL RIGHTS RESERVED.

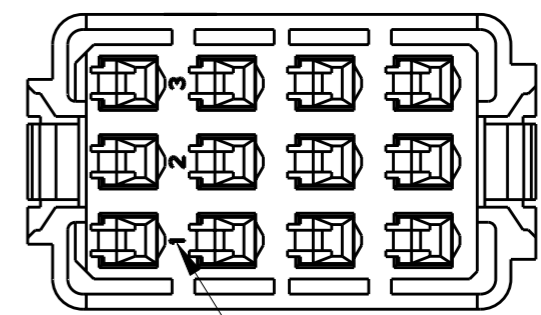
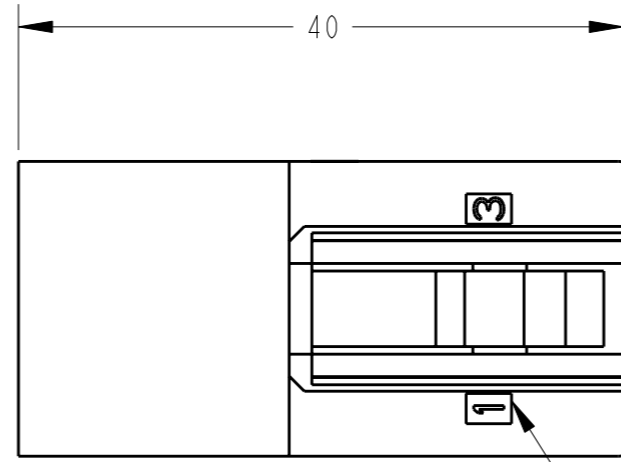
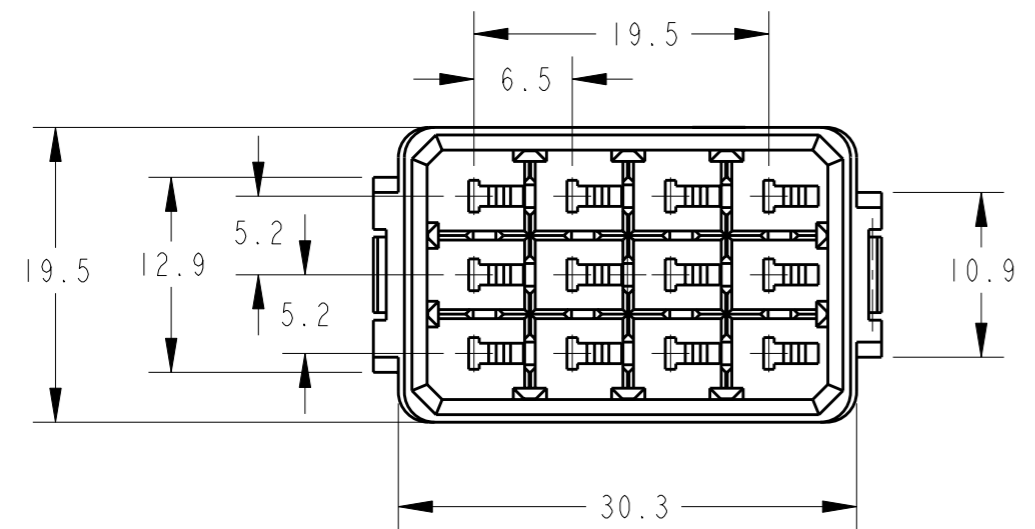
LOC	DIST	REVISIONS					
		P	LTR	DESCRIPTION	DATE	DWN	APVD
J	-		B	REVISED PER ECR-10-017116	24AUG10	HMR	TM



1747364-1: AS SHOWN



スケール 1:1



CIRKIT NO  
回路番号

CIRKIT NO  
回路番号

注記

- 材料: ガラス入り熱可塑性ポリエステル樹脂  
色: 黒色
- HTSコネクターモジュール固定フレーム使用型番  
サイズ"3: 0-1108784-1  
サイズ"4: 0-1108783-1, 0-1108783-2  
サイズ"6: 0-1108782-1, 0-1108782-2  
サイズ"8: 0-1108780-1, 0-1108780-2

NOTES

- MATERIAL: GLASS FIELD THERMO PLASTIC, POLYESTER  
COLOR: BLACK
- HTS CONNECTOR MODULE FIXATION FRAME USE P/No  
SIZE3: 0-1108784-1  
SIZE4: 0-1108783-1, 0-1108783-2  
SIZE6: 0-1108782-1, 0-1108782-2  
SIZE8: 0-1108780-1, 0-1108780-2

THIS DRAWING IS A CONTROLLED DOCUMENT FOR TYCO ELECTRONICS CORPORATION  
IT IS SUBJECT TO CHANGE AND THE CONTROLLING ENGINEERING ORGANIZATION  
SHOULD BE CONTACTED FOR THE LATEST REVISION.

DIMENSIONS: 単位: 耗 mm		TOLERANCES UNLESS OTHERWISE SPECIFIED:	
		一般公差	
		0 PLC	± 0.35
		1 PLC	± 3°
		2 PLC	±
		3 PLC	±
MATERIAL 材料 注記参照 SEE NOTES		FINISH 仕上 -	

DWN	31.AUG'05
T. Sakamoto	
CHK	31.AUG'05
D. Mitsugi	
APVD	31.AUG'05
D. Mitsugi	
PRODUCT SPEC	108-78285
製品規格	
APPLICATION SPEC	114-5148
取付適用規格	
WEIGHT	-

Tyco Electronics AMP K.K. Kawasaki, Japan	
NAME 名称 TAB HSG12P DYNAMIC D-3800SERIES WITH HTS CONNECTOR	
SIZE	A3
CAGE CODE	00779
DRAWING NO	1747364
RESTRICTED TO	-
CUSTOMER DRAWING	SCALE 2:1
SHEET 1	OF 1
REV	B

## X-ON Electronics

Largest Supplier of Electrical and Electronic Components

*Click to view similar products for [Headers & Wire Housings](#) category:*

*Click to view products by [TE Connectivity](#) manufacturer:*

Other Similar products are found below :

[892-18-020-10-001101](#) [58102-G61-06LF](#) [582553-1](#) [0009485154](#) [009176003701906](#) [0050291907](#) [LY20-4P-DT1-P1E-BR](#) [02.125.8002.8](#)  
[609-3404](#) [61062-3](#) [61082-181009](#) [622-3653LF](#) [63453-116](#) [636-1030](#) [636-1427](#) [636-3427](#) [636-4007](#) [641938-9](#) [641991-4](#) [644827-2](#) [65817-](#)  
[010LF](#) [65817-015LF](#) [65863-015LF](#) [66207-023LF](#) [67095-007LF](#) [67601157](#) [68645-018](#) [68648-049](#) [70.362.1628.0](#) [70-4210](#) [70-4226B](#) [70-](#)  
[4853B](#) [707-5020](#) [707-5028](#) [71.350.2428.0](#) [71918-208LF](#) [71961-016LF](#) [733-134](#) [733-162](#) [754199-000](#) [760-3052](#) [79531-3000](#) [FCN-](#)  
[360C032-B](#) [FCN-367T-T012/H](#) [FCN-723D010/2](#) [80.063.4001.1](#) [800-90-010-10-002000](#) [801-43-002-10-013000](#) [801-43-006-10-002000](#)  
[801-93-011-10-001000](#)