

4

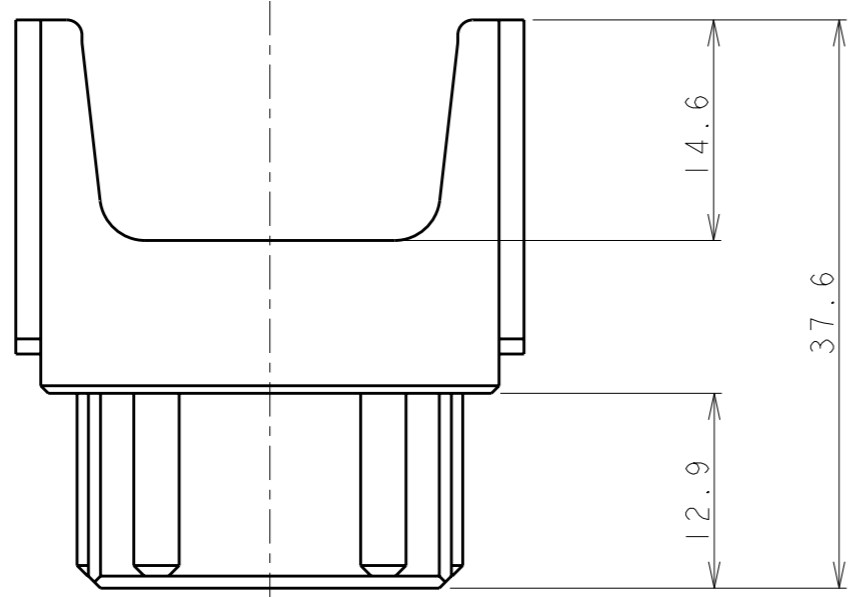
3

2

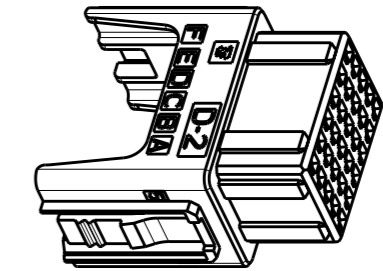
1

THIS DRAWING IS UNPUBLISHED. RELEASED FOR PUBLICATION 2005
 © COPYRIGHT 2005 BY TYCO ELECTRONICS CORPORATION. ALL INTERNATIONAL RIGHTS RESERVED.

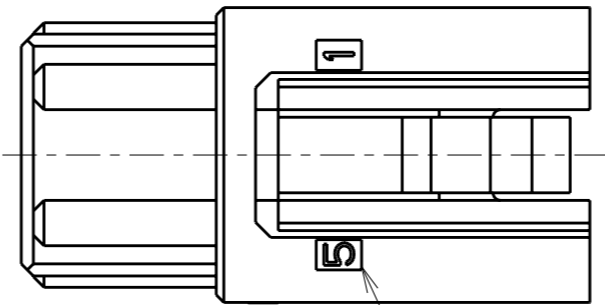
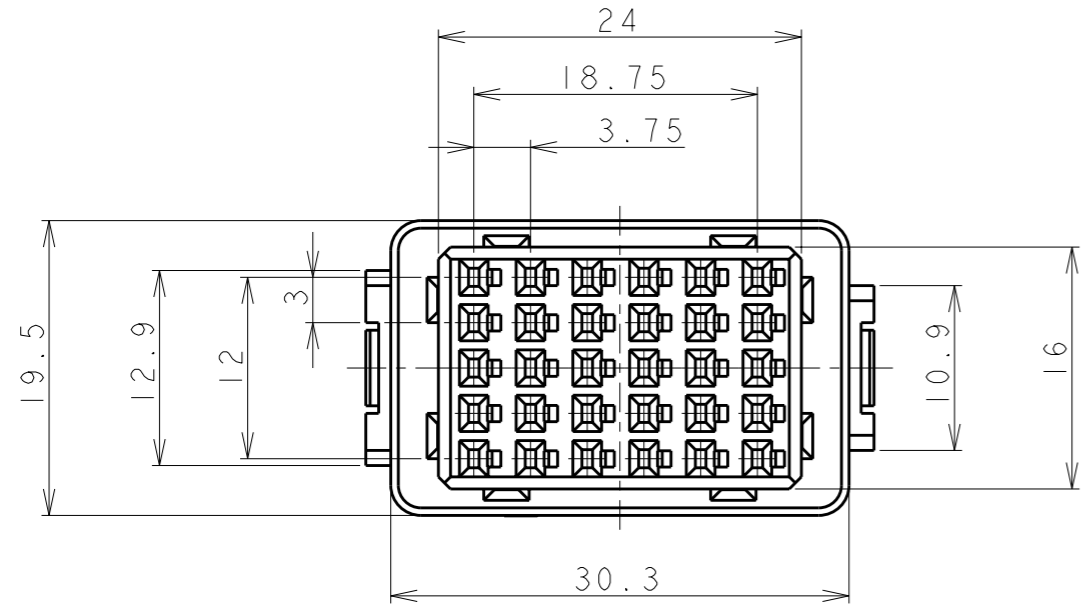
LOC	DIST	REVISIONS					
J		P	LTR	DESCRIPTION	DATE	DWN	APVD
		C		REVISED PER ECR-10-017569	25AUG2010	HMR	T.M



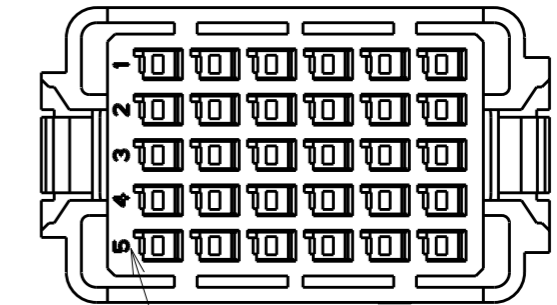
1747365-1: AS SHOWN



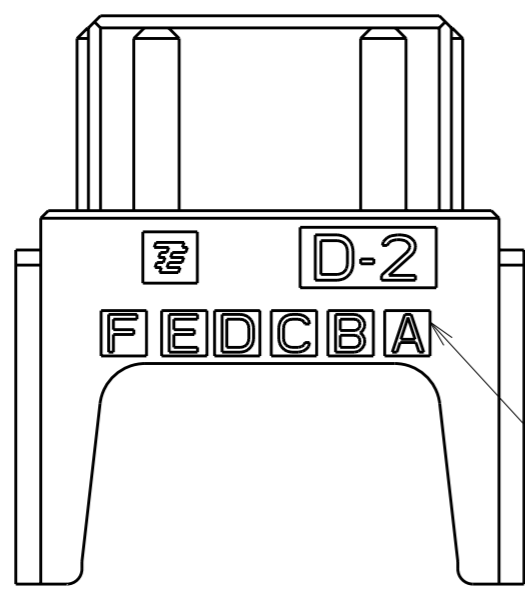
SCALE 1:1



CIRCUIT NO
回路番号



CIRCUIT NO
回路番号



CIRCUIT NO
回路番号

- 材料: ガラス入り熱可塑性ポリエステル樹脂
色: 黒色
- HTSコネクタモジュール固定フレーム使用型番
サイズ3: 0-1108784-1
サイズ4: 0-1108783-1, 0-1108783-2
サイズ6: 0-1108782-1, 0-1108782-2
サイズ8: 0-1108780-1, 0-1108780-2

- MATERIAL: GLASS FIELD THERMO PLASTIC, POLYESTER
COLOR: BLACK
- HTS CONNECTOR MODULE FIXATION FRAME USE P/No
SIZE3: 0-1108784-1
SIZE4: 0-1108783-1, 0-1108783-2
SIZE6: 0-1108782-1, 0-1108782-2
SIZE8: 0-1108780-1, 0-1108780-2

THIS DRAWING IS A CONTROLLED DOCUMENT FOR TYCO ELECTRONICS CORPORATION IT IS SUBJECT TO CHANGE AND THE CONTROLLING ENGINEERING ORGANIZATION SHOULD BE CONTACTED FOR THE LATEST REVISION.		DWN T. SAKAMOTO 31AUG2005	Tyco Electronics Corporation Kawasaki, Japan	
DIMENSIONS: 単位: 耗 mm		CHK D. MITSUGI 31AUG2005	NAME 名称	
TOLERANCES UNLESS OTHERWISE SPECIFIED: 一般公差 0-PLC ± ±0.35 1-PLC ± ±3° 2-PLC ± ±3° 3-PLC ± ± 4-PLC ± ± ANGLES ± ±		APVD D. MITSUGI 31AUG2005	REC HSG 30P DYNAMIC D-2800SERIES WITH HTS CONNECTOR	
MATERIAL 材料 注記参照 SEE NOTES		PRODUCT SPEC 製品規格 108-78284	SIZE A3	RESTRICTED TO
		APPLICATION SPEC 取付適用規格 114-5258	CAGE CODE 00779	REV C
		FINISH 仕上	DRAWING NO 1747365	
		WEIGHT	SCALE 尺度 2:1	SHEET OF 1
		CUSTOMER DRAWING		

X-ON Electronics

Largest Supplier of Electrical and Electronic Components

Click to view similar products for [Headers & Wire Housings](#) category:

Click to view products by [TE Connectivity](#) manufacturer:

Other Similar products are found below :

[892-18-020-10-001101](#) [58102-G61-06LF](#) [582553-1](#) [0009485154](#) [009176003701906](#) [0050291907](#) [LY20-4P-DT1-P1E-BR](#) [02.125.8002.8](#)
[609-3404](#) [61062-3](#) [61082-181009](#) [622-3653LF](#) [63453-116](#) [636-1030](#) [636-1427](#) [636-3427](#) [636-4007](#) [641938-9](#) [641991-4](#) [644827-2](#) [65817-](#)
[010LF](#) [65817-015LF](#) [65863-015LF](#) [66207-023LF](#) [67095-007LF](#) [67601157](#) [68645-018](#) [68648-049](#) [70.362.1628.0](#) [70-4210](#) [70-4226B](#) [70-](#)
[4853B](#) [707-5020](#) [707-5028](#) [71.350.2428.0](#) [71918-208LF](#) [71961-016LF](#) [733-134](#) [733-162](#) [754199-000](#) [760-3052](#) [787-8014-00](#) [79531-3000](#)
[FCN-360C032-B](#) [FCN-367T-T012/H](#) [FCN-723D010/2](#) [80.063.4001.1](#) [800-90-001-10-001000](#) [800-90-010-10-002000](#) [801-43-002-10-013000](#)