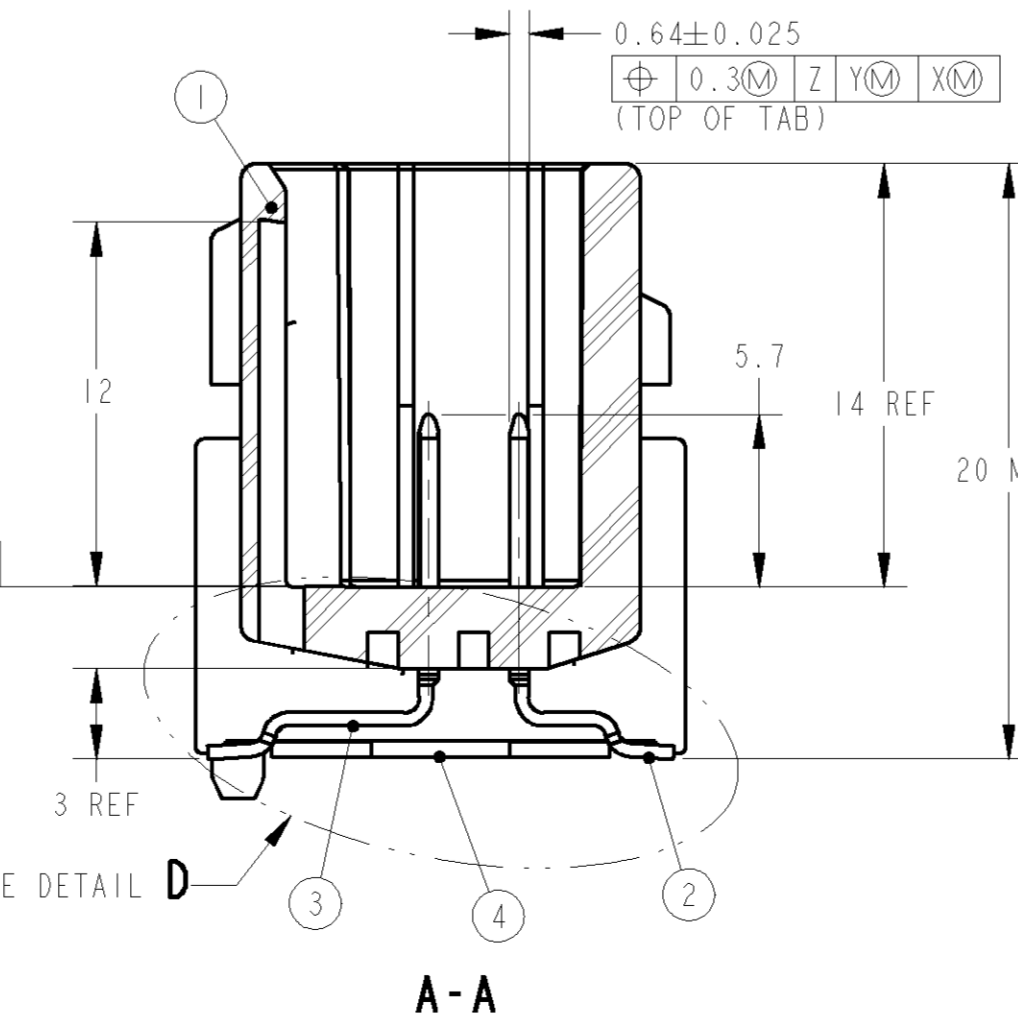
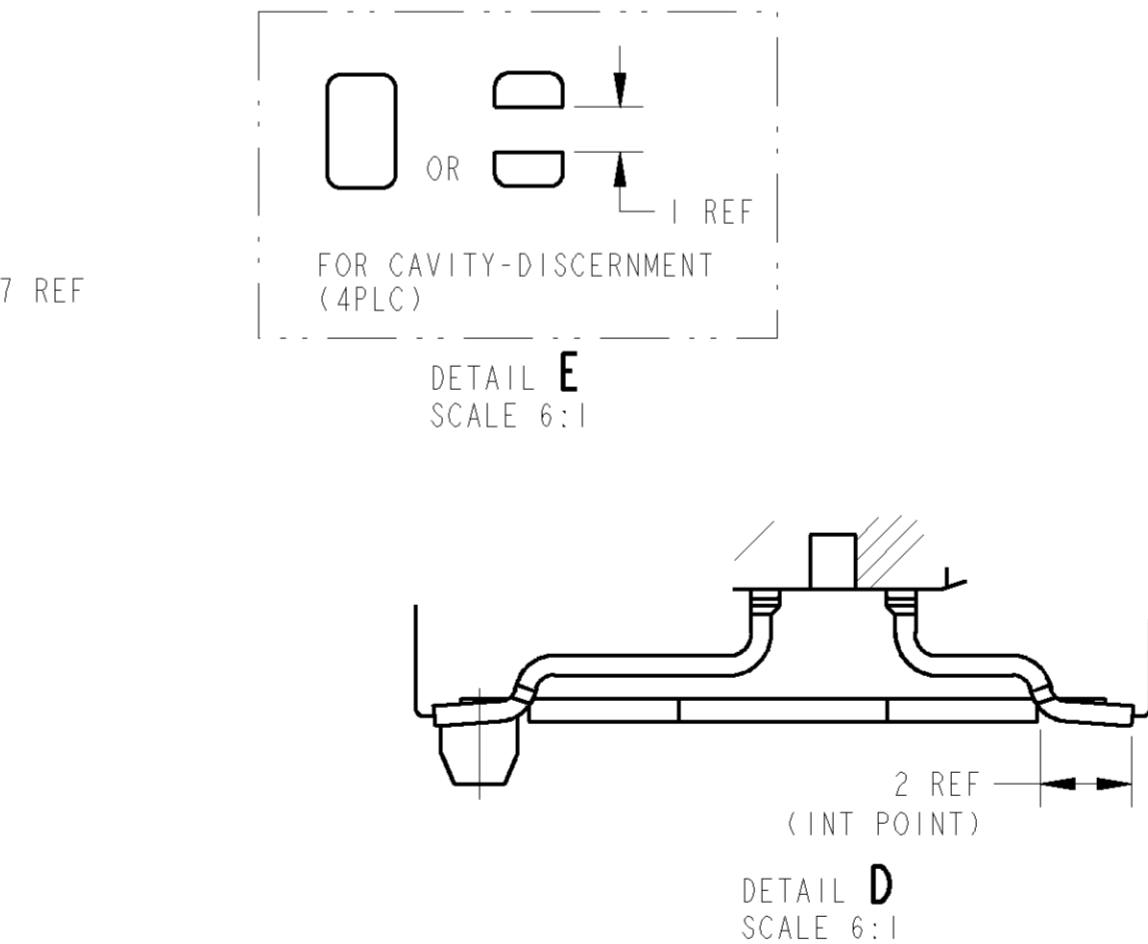
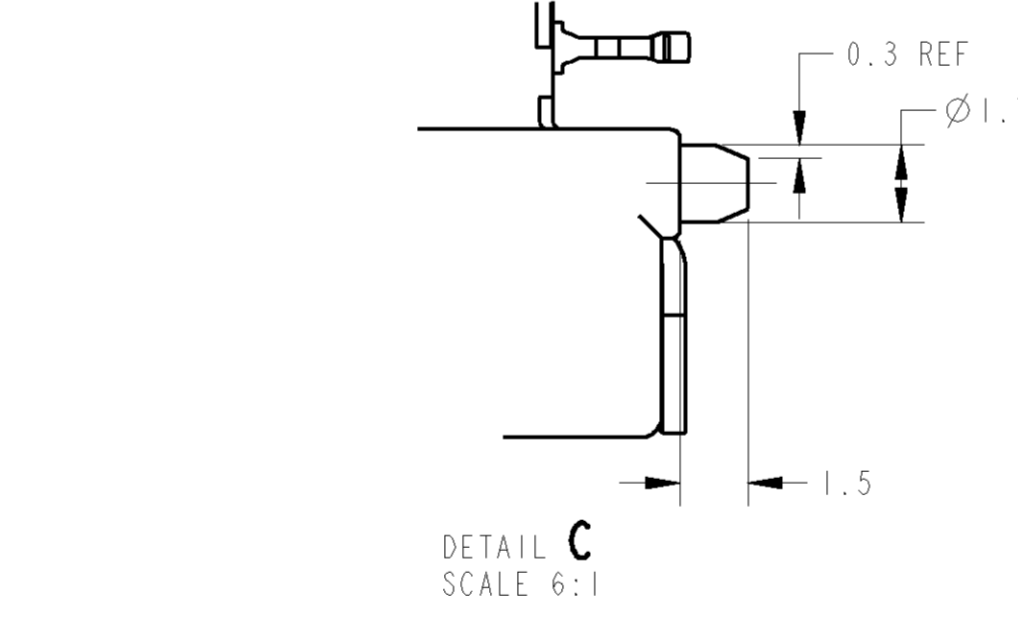
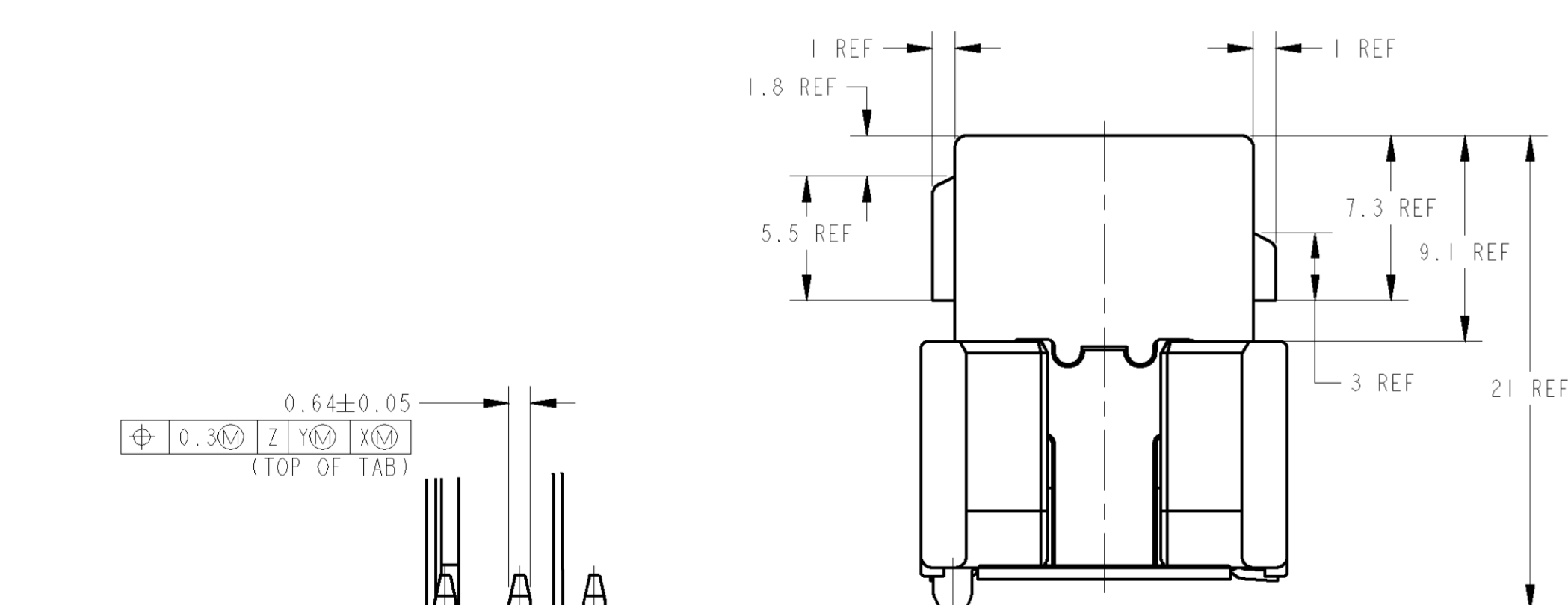
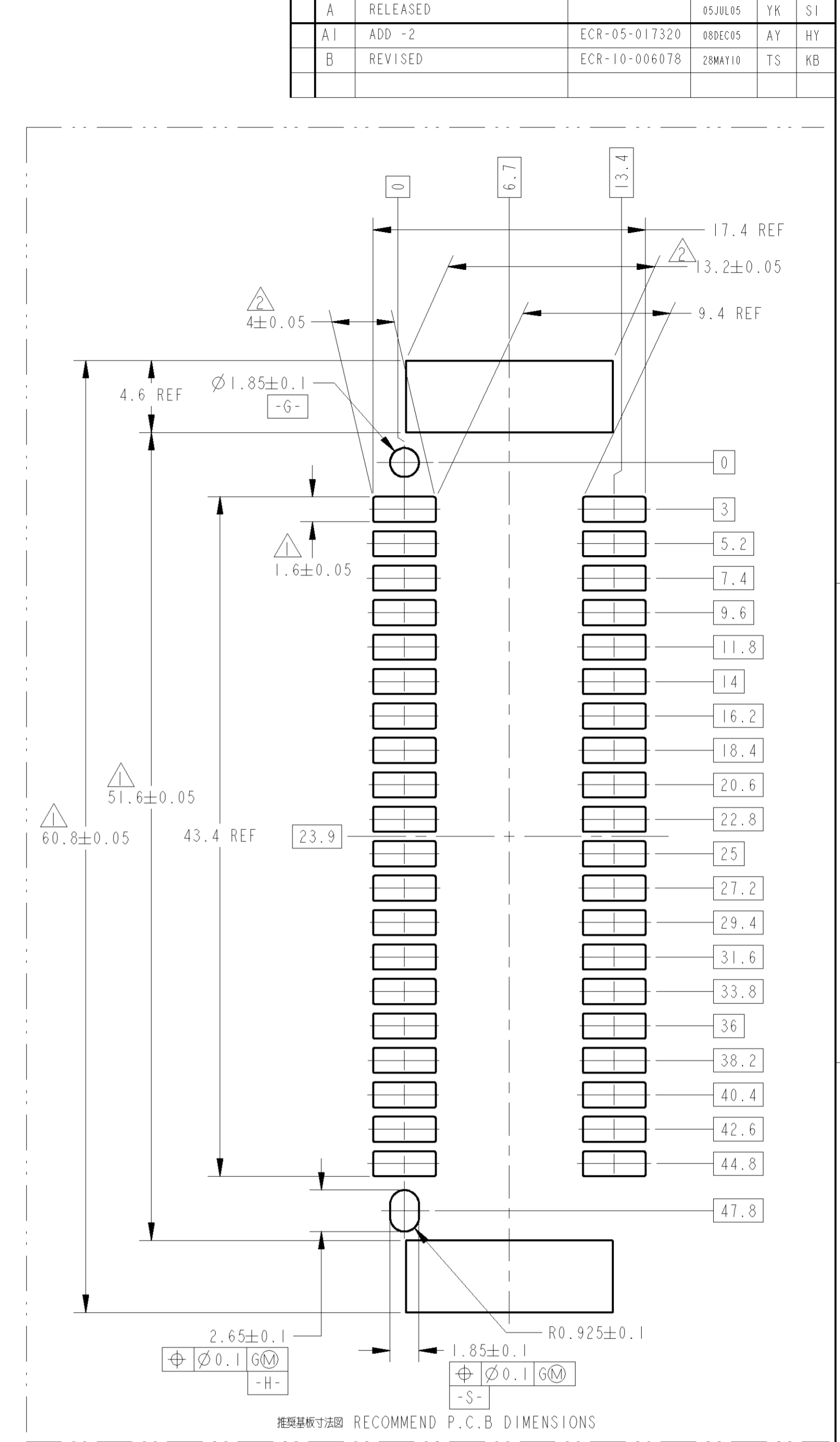
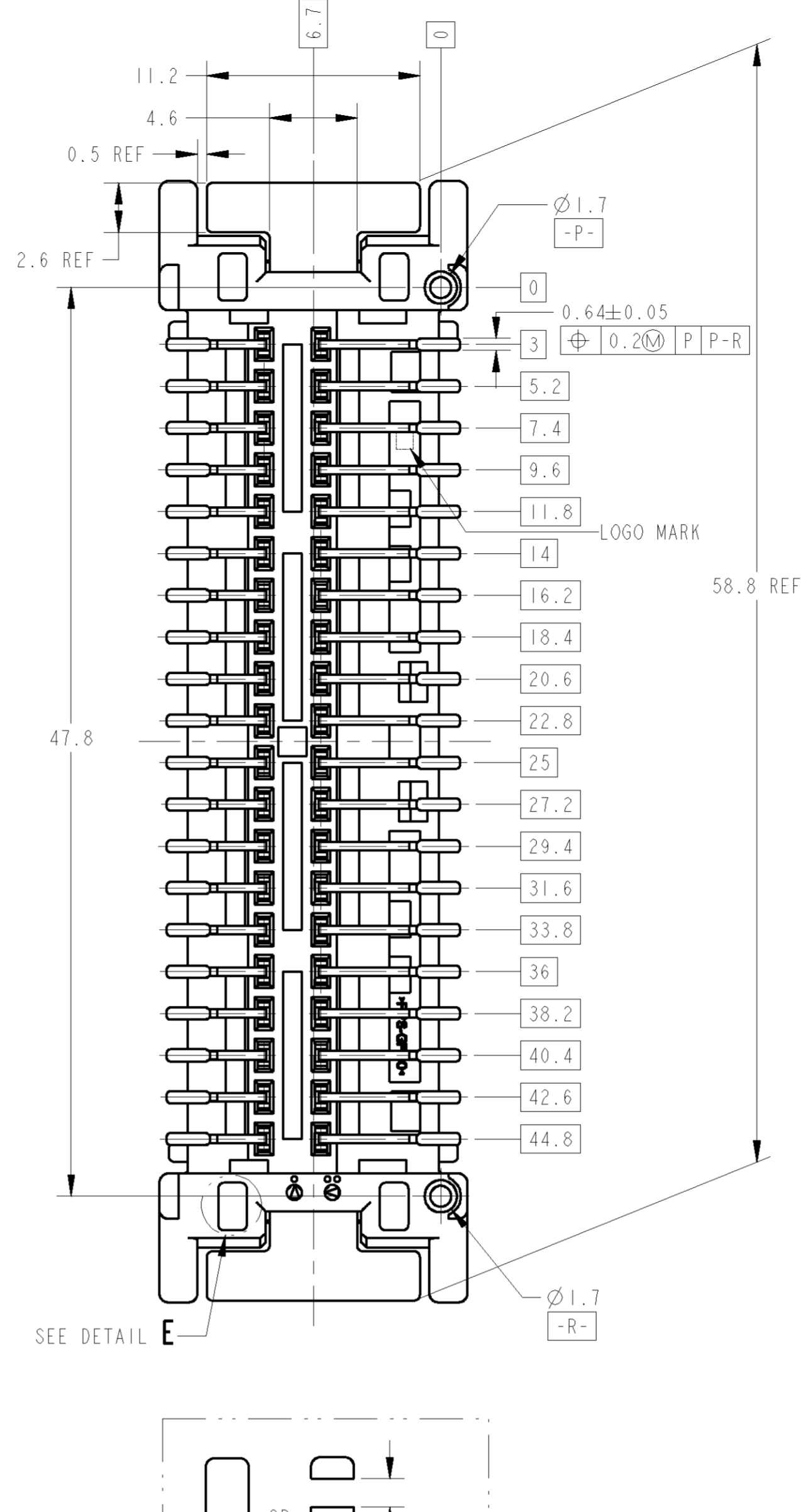
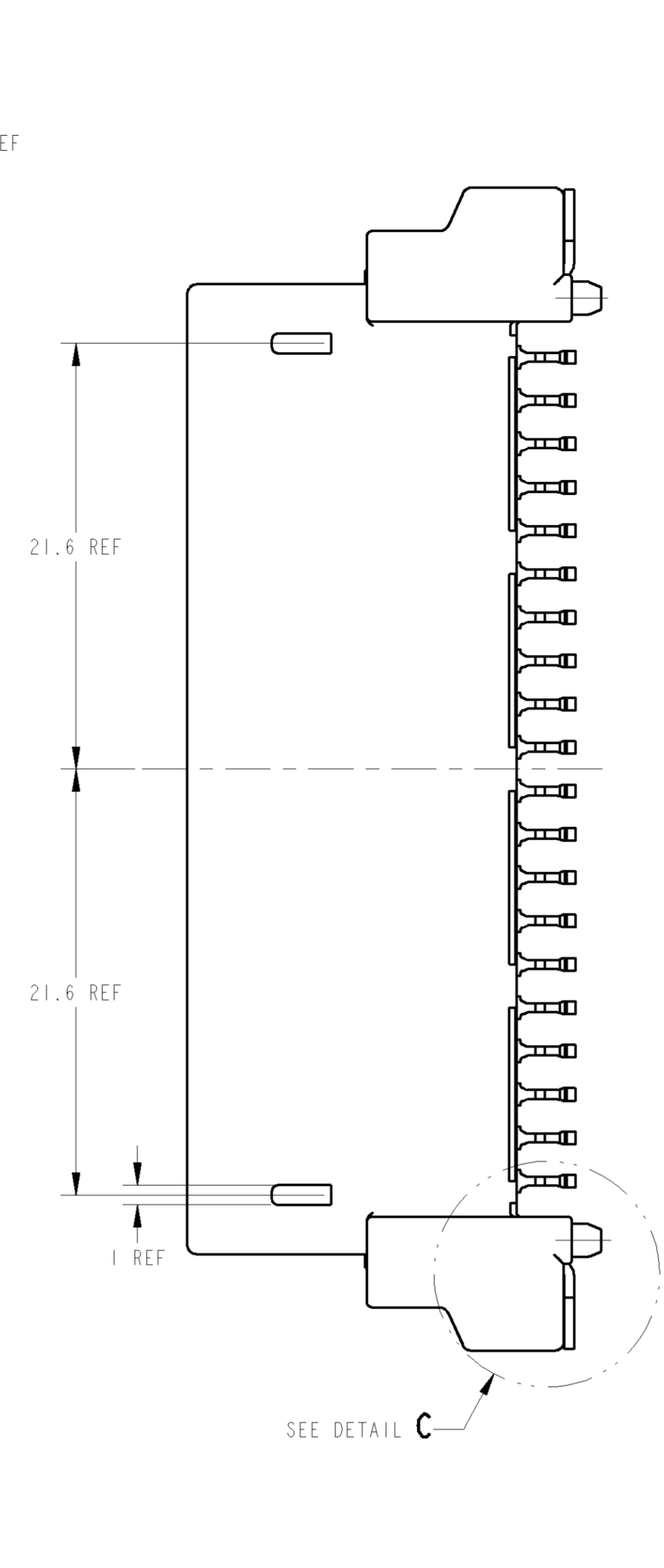
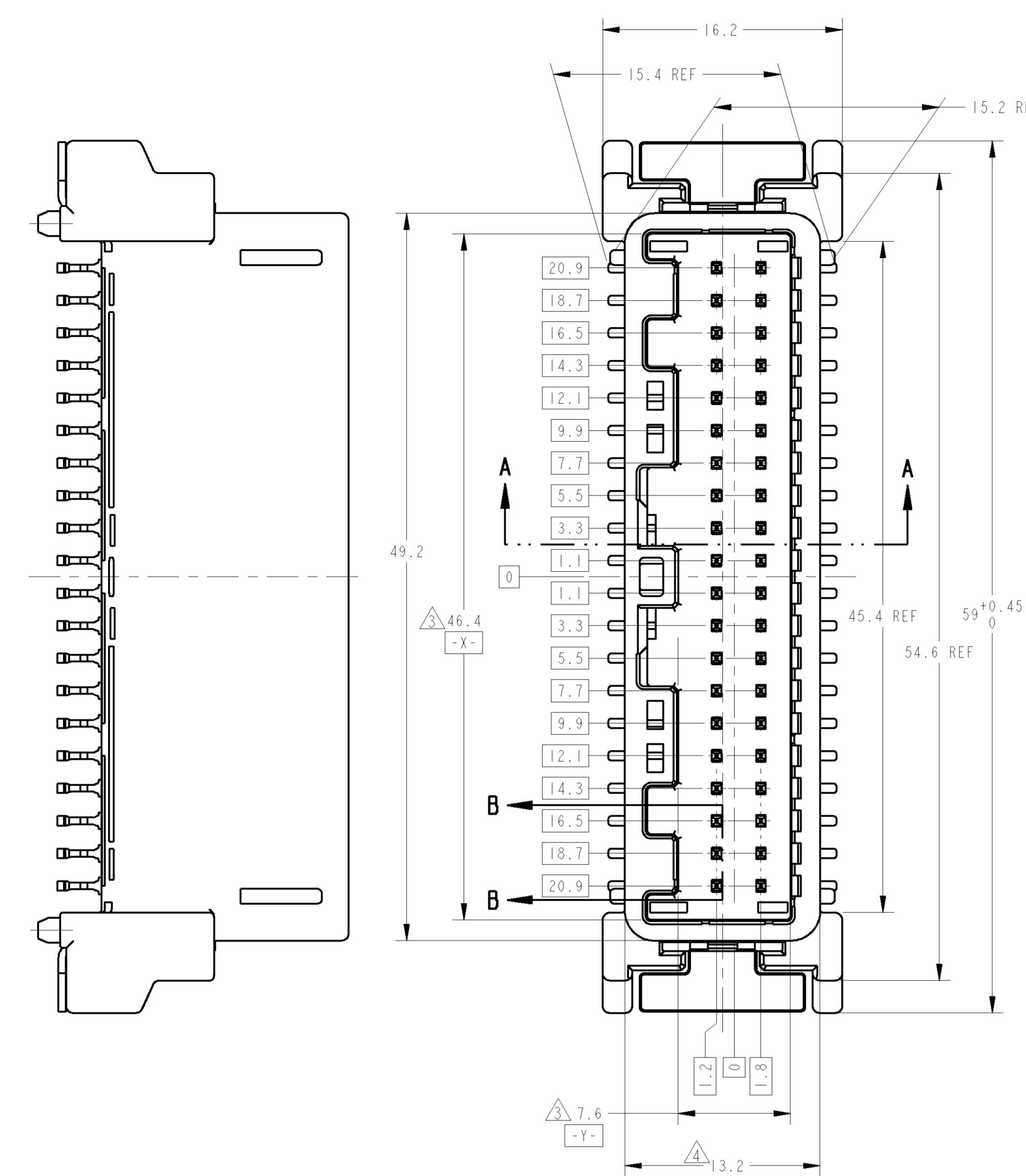


REV. LIST		REVISIONS				
NO.	DATE	DESCRIPTION	ECN	DATE	OWN	APPV
A	05JUL05	RELEASED			YK	S1
A1	08DEC05	ADD -2	ECR-05-017320		AY	HY
B	28MAY10	REVISED	ECR-10-006078		TS	KB



- △ . POSITION TOLERANCE $\oplus \ominus \varnothing 0.1 \text{ (S)}$ [G] [G-S]
- △ . POSITION TOLERANCE $\oplus \ominus \varnothing 0.1 \text{ (S)}$ [G] [G-S]
- △ . MEASURED AT 6mm FROM -Z-
- △ . MUST BE CONTROLLED AT MAXIMUM DIMENSION
- 5. MATING CONNECTOR PART NO.: SEE TABLE-1
- 6. DETAIL OF TERMINALS: SEE TABLE-2
- 7. HANDLING OF THIS PART SHOULD FOLLOW INSTRUCTION SHEET NO. 411-78145
- 8. APPLICABLE PRINTED CIRCUIT BOARD'S THICKNESS 1.6mm
- 9. WHEN MOUNTING, THICKNESS OF SOLDER PASTE: 0.15mm MIN.

POS. 種別	FINISH	TYPE
40	TIN	0.64

POS. 種別	TYPE	P/N
40	0.64 CRIMP	1318389
40	0.64111 CRIMP	1674312
40	0.64 IDC	1318693

OUTER 外形	PAPER BOX ダンボール箱	PLASTIC BOX 差し箱	PACKING STYLE 梱包形態			
			2	SOLDER PEG	POST-TIN	4
INNER 内装	PLASTIC TUBE プラスチックチューブ	PLASTIC TUBE プラスチックチューブ	20	0.64 TAB CONTACT (L)	POST-TIN	3
			20	0.64 TAB CONTACT (S)	POST-TIN	2
			1	40P CAP HOUSING	BLACK	1
1747642-2			1747642-1	NAME	FINISH/COLOR	NO.

TYCO ELECTRONICS CORPORATION
 1747642-2 05JUL05
 1747642-1 05JUL05
 0.64 SMD CONNECTOR 40 POSITION CAP ASSEMBLY V-TYPE
 WEIGHT: 11.5 g
 MATERIAL: HOUSING: PPS GF40 CONTACT: BRASS SOLDER PEG: BRASS
 CUSTOMER DRAWING
 SHEET 4 OF 1

X-ON Electronics

Largest Supplier of Electrical and Electronic Components

Click to view similar products for [Automotive Connectors](#) category:

Click to view products by [TE Connectivity](#) manufacturer:

Other Similar products are found below :

[003-018-000](#) [60403001](#) [60993906-B](#) [M902-2131](#) [M902-2161](#) [M902-2344](#) [72.330.1035.1](#) [73.353.4028.0](#) [F119300-B](#) [F166900](#) [F258300-B](#)
[F358300-B](#) [F407400](#) [F444110](#) [F487000](#) [F509500B-B](#) [827153-1](#) [8N1515-32-24P](#) [9-1326729-8](#) [925474-1](#) [928905-1](#) [964562-4](#) [968782-1](#)
[GT17SA-8DS-HU](#) [98891-1012](#) [98947-1016](#) [12004147](#) [12004475-L](#) [12010290](#) [12015454](#) [12020219-B](#) [12041318-B](#) [12052225-L](#) [12052466](#)
[12064869](#) [12004327-B](#) [12015308](#) [12015384](#) [12015909](#) [1-21030-1](#) [12041254](#) [12041318](#) [12047946-B](#) [12047957](#) [12047957-L](#) [12059473](#)
[12066261](#) [12110546](#) [12110546-B](#) [12131792](#)