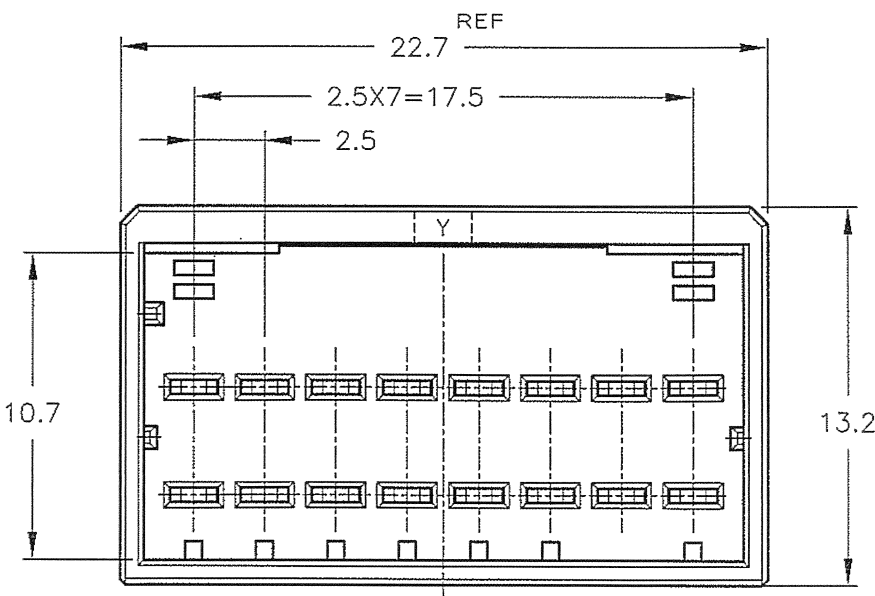
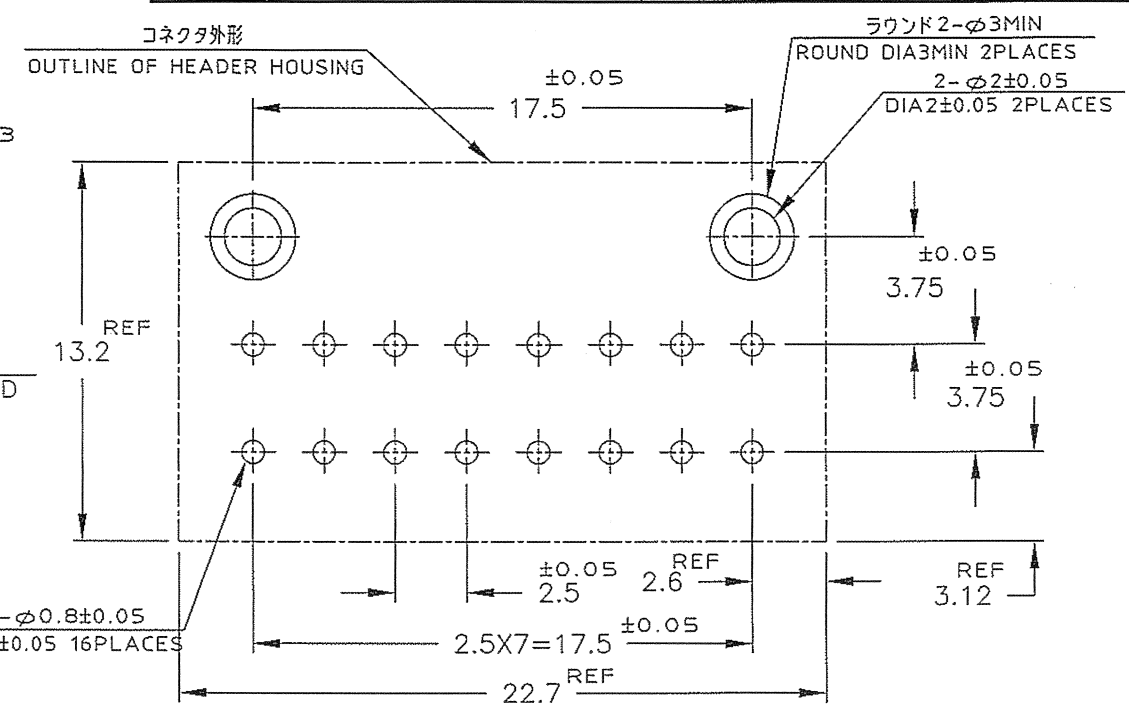
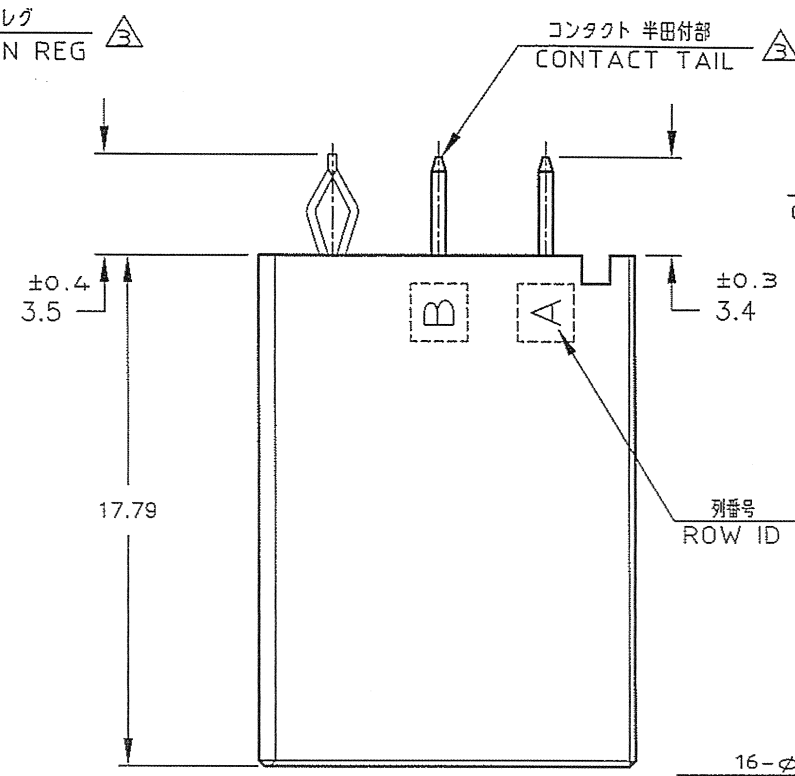
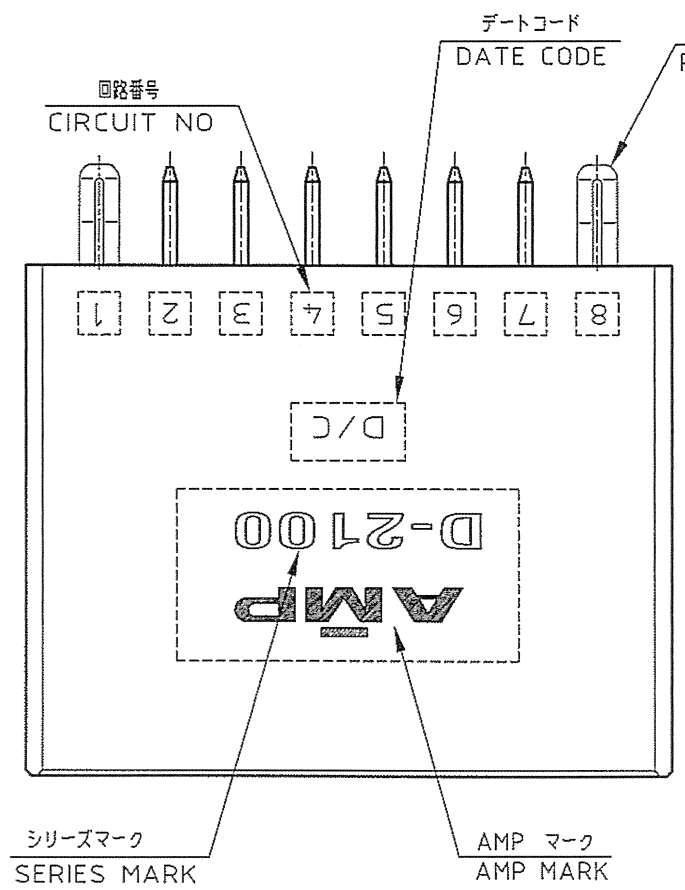


LOC		DIST		REVISIONS				
P	LTR	DESCRIPTION	ECN	DATE	DWN	APVD		
	O	RELEASED	FJD0-0414-04	11NOV 2004	T.S	D.M		
	O1	ADDITION PART NO	ECR-07-007149	28MAR 2007	M.M	D.M		
	A	REVISED(ADD NATURAL COLOR)	ECR-14-009682	27JUN 2014	Z.S	N.Y		

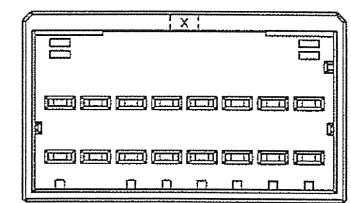


- NOTES
- MATERIAL: HOUSING: GLASS FILLED THERMO PLASTIC, POLYESTER (94V-0), COLOR: -1/-2 BLACK, -3 NATURAL
 TAB CONTACT: COPPER ALLOY
 RETENTION LEG: BRASS
 - FINISH (CONTACT AREA): 0.38μm MIN GOLD PLATING OVER Ni PLATING
 - FINISH (RETENTION LEG): TIN PLATED (CONTACT TAIL) OVER NICKEL
 - APPEARANCE CRITERIA IS BASED ON TE CRITERIA.

推奨基板取付け寸法 (公差: ±0.05)
 PC 基板厚: 1.6±0.3 (コネクタ搭載面)
 RECOMENDED PC BOARD HOLE PATTERN (TOL: ±0.05)
 PC BOARD THICKNESS: 1.6±0.3 (CONNECTOR MOUNT SIDE)

- 注記
- 材料: ハウジング: ガラス入り熱可塑性ポリエステル樹脂 (94V-0)
 色: -1/-2 黒, -3 ナチュラル
 タブコンタクト: 銅合金
 リテンションレグ: 黄銅
 - めっき: コンタクト: 全面Ni下地
 接合部: 0.38μm MIN金めっき
 - めっき: リテンションレグとコンタクト半田付部
 ニッケル下地の上にスズめっき
 - 外觀基準はTE基準に基づく

1747994-2
 -3
 (KEYING Y)

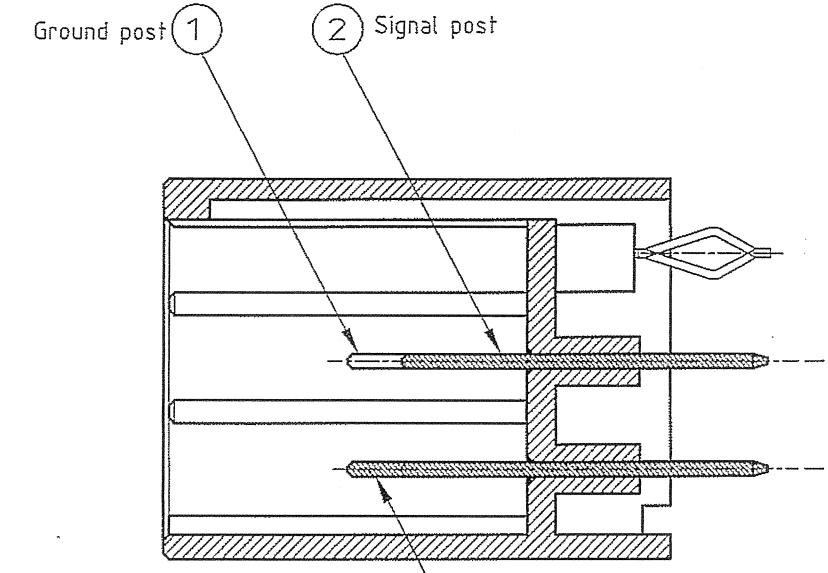
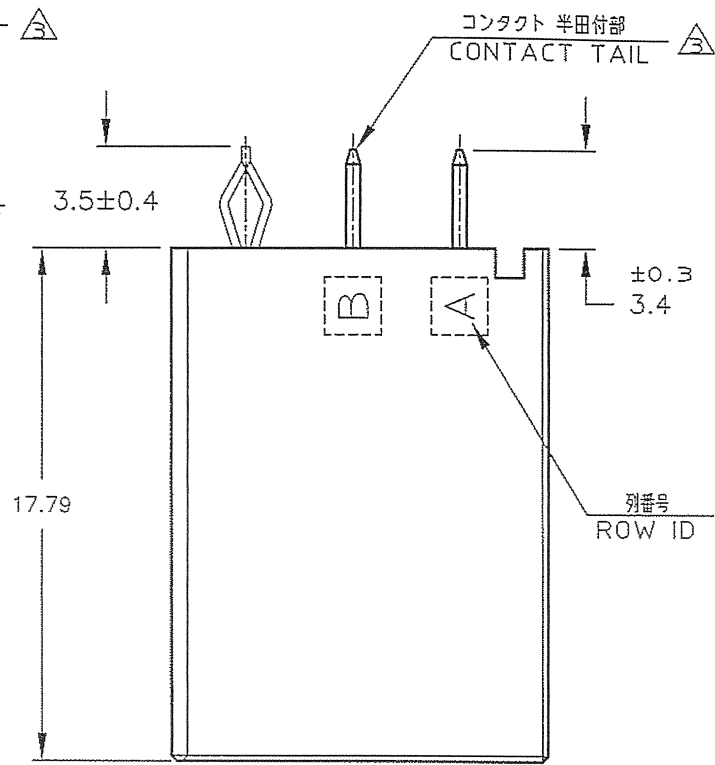
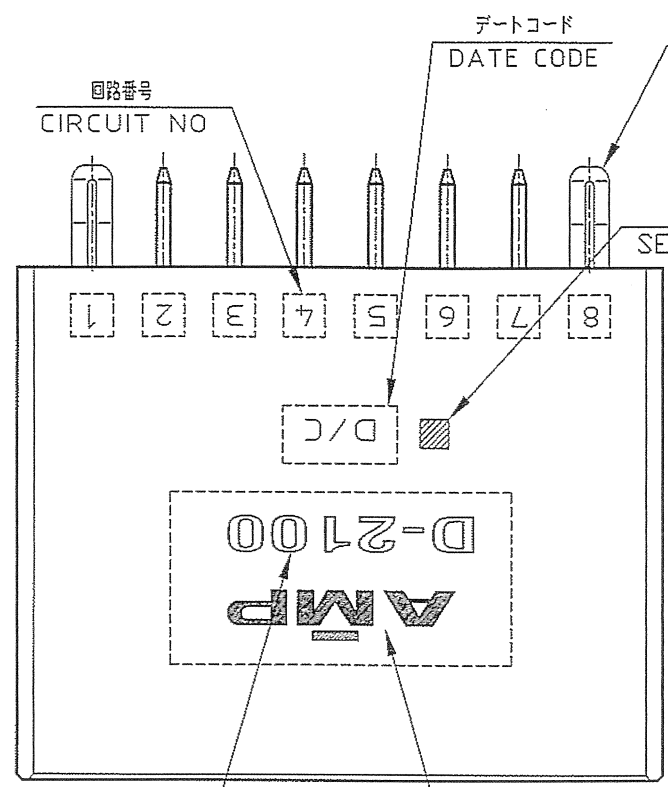


1747994-1
 (KEYING X)
 SCALE: 2-1

THIS DRAWING IS A CONTROLLED DOCUMENT FOR AMP INCORPORATED. IT IS SUBJECT TO CHANGE AND THE CONTROLLING ENGINEERING ORGANIZATION SHOULD BE CONTACTED FOR THE LATEST REVISION.		DOWN T.Sakamoto 11/NOV/'04		
DIMENSIONS: 単位 長 mm		CHK D.Mitsugi 11/NOV/'04		
TOLERANCES UNLESS OTHERWISE SPECIFIED		APVD D.Mitsugi 11/NOV/'04	NAME 2列 ヘッダーアセンブリー 16P <垂直タイプ> DOUBLE ROW HEADER ASS'Y 16P ("V" TYPE) <DYNAMIC D-2100D>	
		PRODUCT SPEC 108-5619	DRAWING NO C=1747994	
MATERIAL 注記参照 SEE NOTES		APPLICATION SPEC 114-5258	SIZE A3	CAGE CODE 00779
FINISH 注記参照 SEE NOTES		WEIGHT	RESTRICTED TO	
CUSTOMER DRAWING		SCALE 4-1		SHEET 1 OF 2 REV A

THIS DRAWING IS UNPUBLISHED. RELEASED FOR PUBLICATION .1998
 © COPYRIGHT 1998 BY AMP INCORPORATED, ALL RIGHTS RESERVED.

LOC		DIST		REVISIONS				
P	LTR	DESCRIPTION	ECN	DATE	DWN	APVD		
J		SEE SHEET 1 OF 2						



シリーズマーク
SERIES MARK

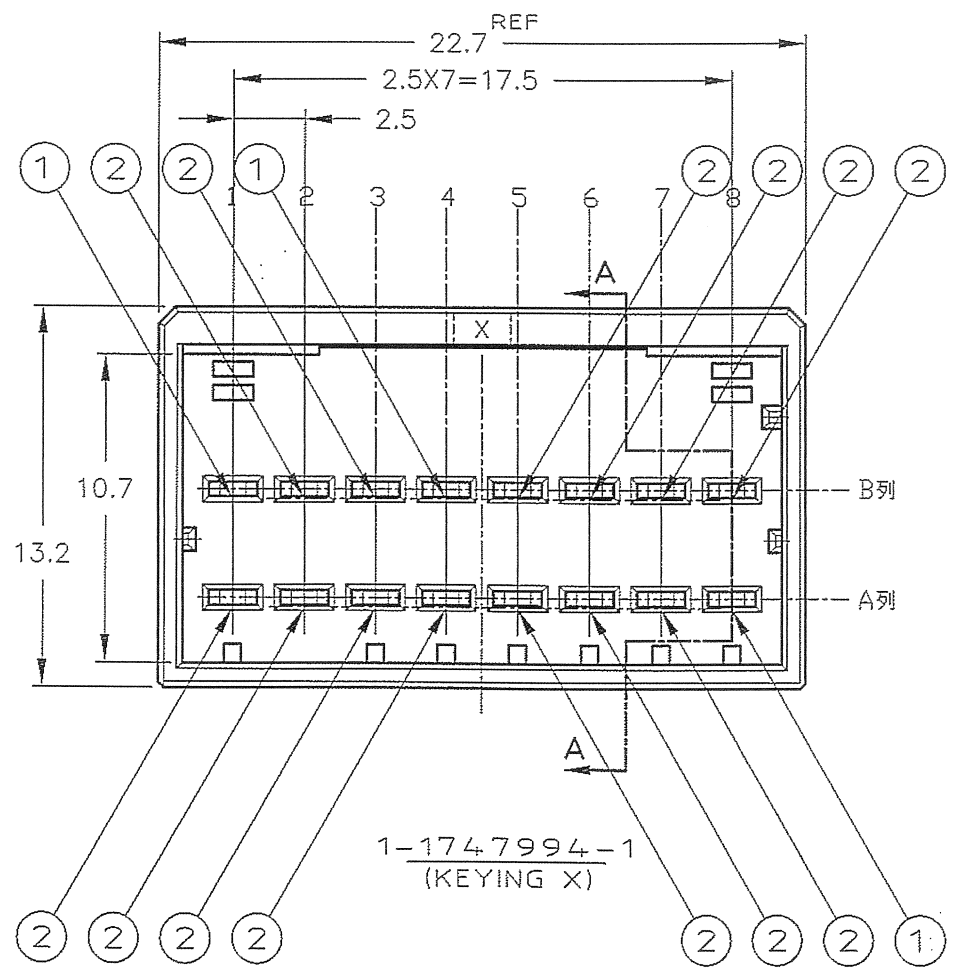
AMP マーク
AMP MARK

		回路番号							
		1	2	3	4	5	6	7	8
列番号	B	① Ground	② Signal	② Signal	① Ground	② Signal	② Signal	② Signal	② Signal
	A	② Signal	② Signal	② Signal	② Signal	② Signal	② Ground	② Signal	① Ground

POINT OF SEQUENTIAL
 1-1747994-1

- NOTES
- MATERIAL: HOUSING: GLASS FILLED THERMO PLASTIC, POLYESTER(94V-0), COLOR: BLACK
 TAB CONTACT: COPPER ALLOY
 RETENTION LEG: BRASS
 - FINISH (CONTACT AREA): 0.38μm MIN GOLD PLATING OVER NI PLATING
 - FINISH (RETENTION LEG): TIN PLATED (CONTACT TAIL) OVER NICKEL

- 注記
- 材料: ハウジング: ガラス入り熱可塑性ポリエステル樹脂 (94V-0), 色: 黒
 タブ コンタクト: 銅合金
 リテンションレグ: 黄銅
 - めっき: コンタクト: 全面Ni下地
 接触部: 0.38μm MIN金めっき
 - めっき: リテンションレグとコンタクト半田付部
 : ニッケル下地の上にスズめっき



THIS DRAWING IS A CONTROLLED DOCUMENT FOR AMP INCORPORATED. IT IS SUBJECT TO CHANGE AND THE CONTROLLING ENGINEERING ORGANIZATION SHOULD BE CONTACTED FOR THE LATEST REVISION.		DWN T. Sakamoto 11/NOV/04		
DIMENSIONS: 単位 寸 mm		CHK D. Mitsugi 11/NOV/04		
TOLERANCES UNLESS OTHERWISE SPECIFIED		APVD D. Mitsugi 11/NOV/04	NAME 2列 ヘッダーアセンブリー 16P	
		PRODUCT SPEC 108-5619	DOUBLE ROW HEADER ASS'Y 16P ("V" TYPE) <DYNAMIC D-2100D>	
MATERIAL 材質 注記参照 SEE NOTES		APPLICATION SPEC 114-5258	SIZE A3	CAGE CODE 00779
FINISH 仕上 注記参照 SEE NOTES		WEIGHT	DRAWING NO C-1747994	
CUSTOMER DRAWING		RESTRICTED TO		SCALE 4-1
		SHEET 2 OF 2		REV A

X-ON Electronics

Largest Supplier of Electrical and Electronic Components

Click to view similar products for [Headers & Wire Housings](#) category:

Click to view products by [TE Connectivity](#) manufacturer:

Other Similar products are found below :

[892-18-020-10-001101](#) [58102-G61-06LF](#) [582553-1](#) [0009485154](#) [009176003701906](#) [0050291907](#) [LY20-4P-DT1-P1E-BR](#) [02.125.8002.8](#)
[609-3404](#) [61062-3](#) [61082-181009](#) [622-3653LF](#) [63453-116](#) [636-1030](#) [636-1427](#) [636-3427](#) [636-4007](#) [641938-9](#) [641991-4](#) [644827-2](#) [65817-](#)
[010LF](#) [65817-015LF](#) [65863-015LF](#) [66207-023LF](#) [67095-007LF](#) [67601157](#) [68645-018](#) [68648-049](#) [70.362.1628.0](#) [70-4210](#) [70-4226B](#) [70-](#)
[4853B](#) [707-5020](#) [707-5028](#) [71.350.2428.0](#) [71918-208LF](#) [71961-016LF](#) [733-134](#) [733-162](#) [754199-000](#) [760-3052](#) [79531-3000](#) [FCN-](#)
[360C032-B](#) [FCN-367T-T012/H](#) [FCN-723D010/2](#) [80.063.4001.1](#) [800-90-001-10-001000](#) [800-90-010-10-002000](#) [801-43-002-10-013000](#)
[801-43-006-10-002000](#)