

4

3

2

1

THIS DRAWING IS UNPUBLISHED.

RELEASED FOR PUBLICATION

---

© COPYRIGHT - By -

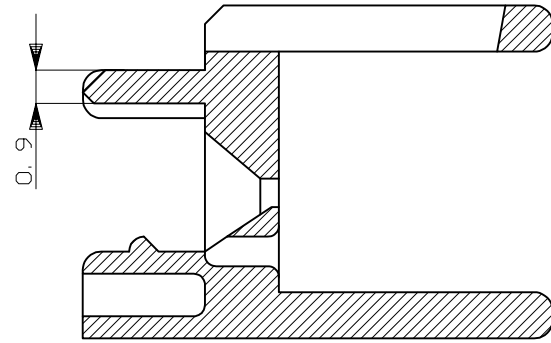
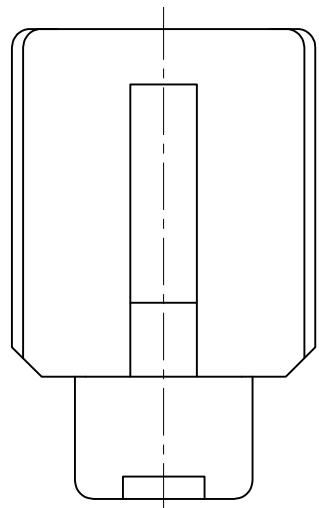
ALL RIGHTS RESERVED.

LOC

DIST

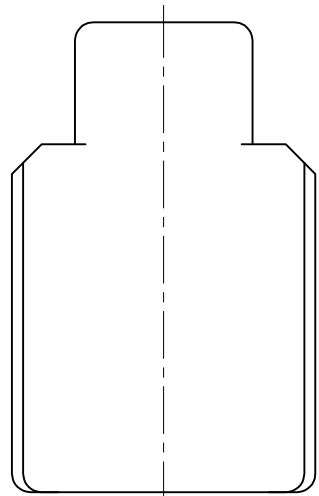
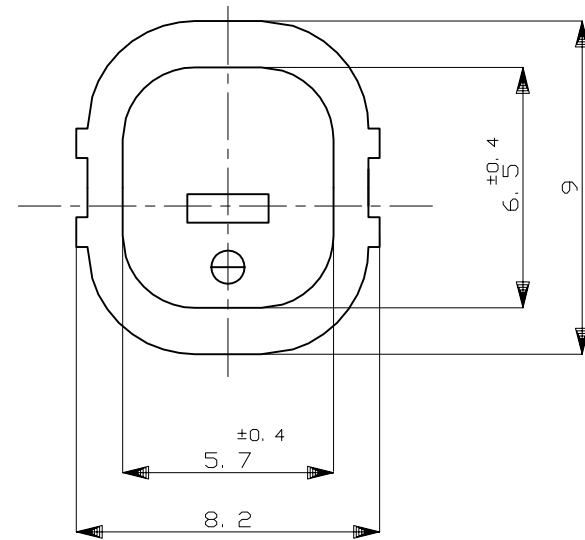
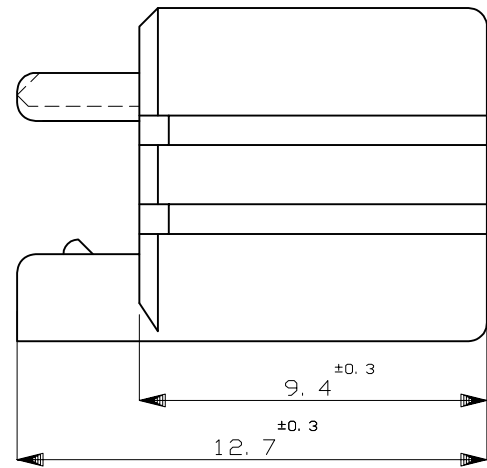
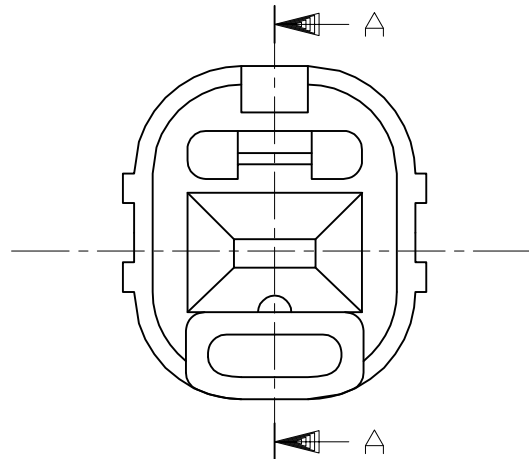
REVISIONS

P	LTR	DESCRIPTION	DATE	DWN	APVD
B1	REVISED	ECR-15-000191	08JAN2014	TS	KB



SECTION 断面 A-A

- 1. 本品は、キャップハウジング型番 174879 に装着される。
- 1. TO BE MATED WITH CAP HOUSING (PN:174879)



HB	自然色 (NATURAL)	1-174880-1
V-2	黄 (YELLOW)	174880-7
使用材料難燃グレード (FLAMMABILITY OF MATERIAL)	色 (COLOR)	型番 (PART NUMBER)

THIS DRAWING IS A CONTROLLED DOCUMENT.		DWN K.ODA 10/19'87	<b>STE</b> TE Connectivity	
DIMENSIONS: mm		CHK Y.MATSUSAKA 10/20'87		
TOLERANCES UNLESS OTHERWISE SPECIFIED:		APVD M.NOGUCHI 10/20'87	NAME	
0 PLC ± -		PRODUCT SPEC	1P ECONOSEAL J-MARKII+ CONNECTOR	
1 PLC ± -		APPLICATION SPEC	DOUBLE LOCK PLATE FOR CAP HOUSING	
2 PLC ± -		WEIGHT -	SIZE	CAGE CODE
3 PLC ± -		CUSTOMER DRAWING	A3	00779
4 PLC ± -		FINISH -	DRAWING NO	RESTRICTED TO
ANGLES ± -		SCALE 5:1	C=174880	1 of 1
MATERIAL PBT		SHEET 1 of 1	REV B1	
GENERAL TOLERANCE				
0 < * ≤ 10 : ±0.2				
10 < * ≤ 30 : ±0.25				
30 < * ≤ 100 : ±0.3				
ANGLES : ±3°				

## X-ON Electronics

Largest Supplier of Electrical and Electronic Components

*Click to view similar products for [Automotive Connectors](#) category:*

*Click to view products by [TE Connectivity](#) manufacturer:*

Other Similar products are found below :

[003-018-000](#) [600858](#) [60403001](#) [60993906-B](#) [60993913-B](#) [629515004020001](#) [M83723/71R1808N L/C](#) [M902-2131](#) [M902-2161](#) [M902-2344](#)  
[72.330.1035.1](#) [73.353.4028.0](#) [F118010](#) [F119300-B](#) [F132210](#) [F166900](#) [F180100](#) [F258300](#) [F258300-B](#) [F294300-B](#) [F339100](#) [F339700](#)  
[F358300-B](#) [F374110](#) [F407400](#) [F412210](#) [F444110](#) [F487000](#) [F495100](#) [F500900-B](#) [F509500B-B](#) [770444-1](#) [827153-1](#) [881735-1](#)  
[8N1515-32-24P](#) [9-1326729-8](#) [925467-1](#) [925474-1](#) [928905-1](#) [936398-2](#) [964562-4](#) [964731-2](#) [968782-1](#) [GT17SA-8DS-HU](#) [GT17VS-10DP-](#)  
[5.2CF](#) [98315-0001](#) [98315-0010](#) [98891-1012](#) [98895-2014](#) [98936-1039](#)