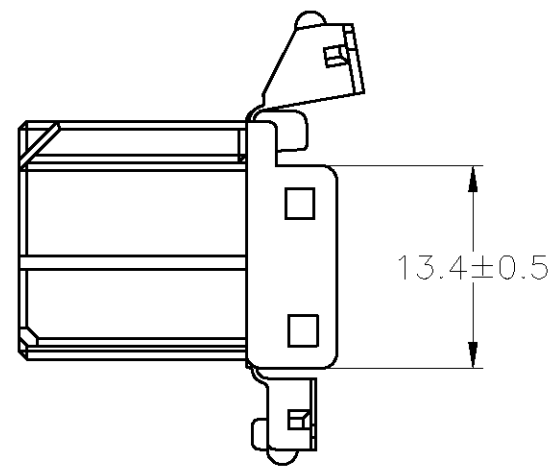
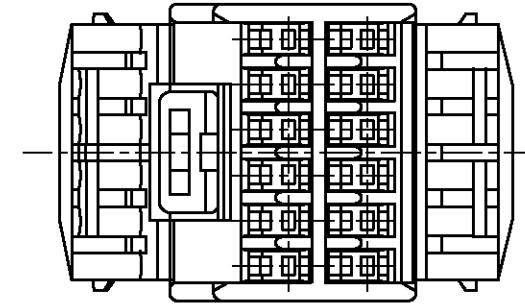
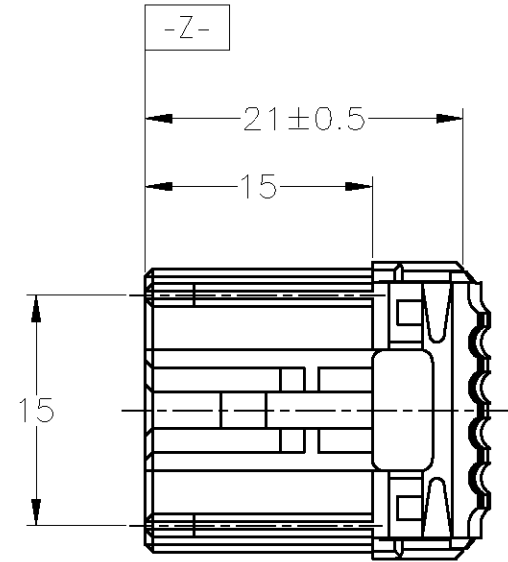
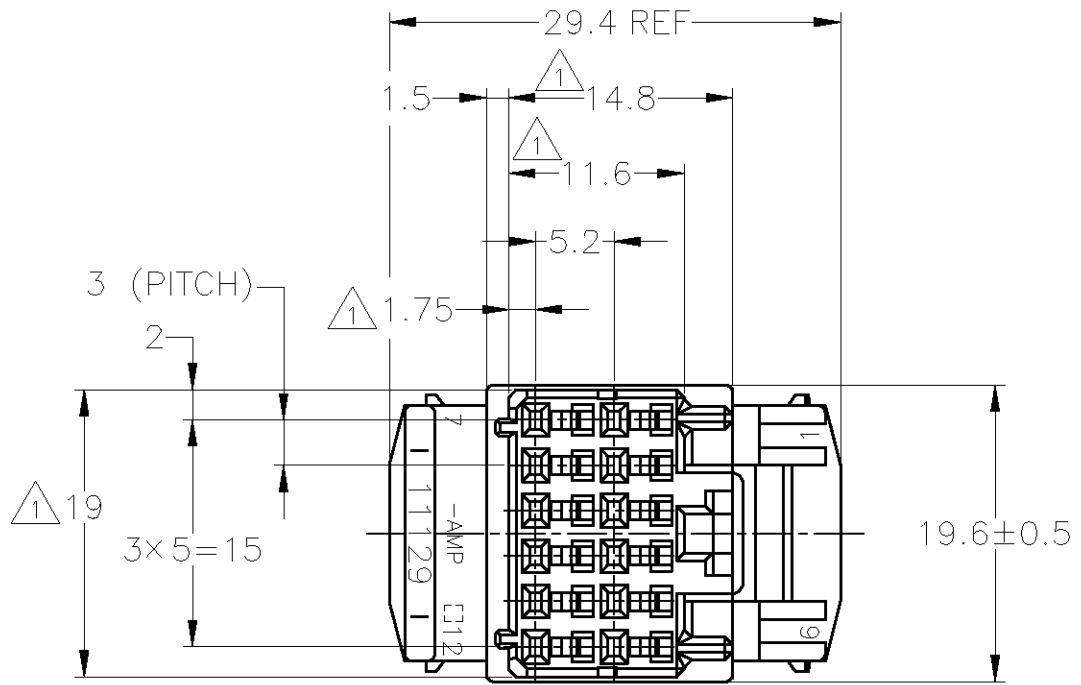


THIS DRAWING IS UNPUBLISHED. RELEASED FOR PUBLICATION  
 © COPYRIGHT BY TYCO ELECTRONICS CORPORATION. ALL INTERNATIONAL RIGHTS RESERVED.

| LOC | DIST | REVISIONS |         |               |         |     |      |
|-----|------|-----------|---------|---------------|---------|-----|------|
| J   | —    | P         | LTR     | DESCRIPTION   | DATE    | DWN | APVD |
|     |      | E3        | REVISED | ECR-10-017285 | 06SEP10 | TS  | KB   |



- ① MUST BE KEPT BETWEEN [-Z-] AND 2mm
  - 2. THE MATING CAP HOUSING PART NUMBER; 174915
  - 3. APPLIED CONTACT PART NUMBER; 173716, 175094
  - 4. APPLICABLE PRODUCT SPEC NO. 108-5280
- 
- ① [-Z-] 面より 2mm の範囲で測定。
  - 2. 嵌合相手ハウジング型番; 174915
  - 3. 内装するリセプタクルコンタクト型番; 173716, 175094
  - 4. 適用製品規格番号; 108-5280

|                |             |
|----------------|-------------|
| 淡灰色 LIGHT GRAY | 6-174913-6  |
| 黄色 YELLOW      | 174913-7    |
| 灰色 GRAY        | 174913-6    |
| 黒色 BLACK       | 174913-2    |
| 白色 WHITE       | 174913-1    |
| 色 COLOR        | PART NUMBER |

| TOLERANCE UNLESS OTHERWISE SPECIFIED: 一般公差 |         |
|--|---------|
| 0 < x ≤ 10                                 | : ±0.2  |
| 10 < x ≤ 30                                | : ±0.25 |
| 30 < x ≤ 100                               | : ±0.3  |
| ANGLE ; 角度                                 | : ±3°   |

|  |   |                         |   |                 |
|--|---|-------------------------|---|-----------------|
| THIS DRAWING IS A CONTROLLED DOCUMENT. |   | DWN T.SHINOHARA 25JUN03 | Tyco Electronics Corporation<br>Kawasaki, Japan |                 |
| DIMENSIONS: 単位: 耗 mm                   | TOLERANCES UNLESS OTHERWISE SPECIFIED: 一般公差 | CHK K.BETSUI 25JUN03    | NAME 名称   |                 |
|  | 0 PLC ±-                                    | APVD K.BETSUI 25JUN03   | 12POSITION PLUG HOUSING                         |                 |
|  | 1 PLC ±-                                    | PRODUCT SPEC 製品規格       | HYBRID I/O CONNECTOR                            |                 |
| MATERIAL 材料 PBT                        | FINISH 仕上 SEE TABLE                         | APPLICATION SPEC 取付適用規格 | SIZE A3   | CAGE CODE 00779 |
|  |   | WEIGHT 4.04g            | DRAWING NO. C-174913                            | RESTRICTED TO   |
| CUSTOMER DRAWING                       |   |                         | SCALE 尺度 2:1                                    | SHEET 1 OF 1    |
|  |   |                         | REV E3  |                 |

## X-ON Electronics

Largest Supplier of Electrical and Electronic Components

*Click to view similar products for [Automotive Connectors](#) category:*

*Click to view products by [TE Connectivity](#) manufacturer:*

Other Similar products are found below :

[003-018-000](#) [60403001](#) [60993906-B](#) [M902-2131](#) [M902-2161](#) [72.330.1035.1](#) [73.353.4028.0](#) [F119300-B](#) [F166900](#) [F258300-B](#) [F358300-B](#)  
[F407400](#) [F444110](#) [F487000](#) [F509500B-B](#) [827153-1](#) [8N1515-32-24P](#) [9-1326729-8](#) [925474-1](#) [928905-1](#) [964562-4](#) [968782-1](#) [GT17SA-8DS-](#)  
[HU](#) [98891-1012](#) [98947-1016](#) [12004147](#) [12004475-L](#) [12010290](#) [12010309-B](#) [12015454](#) [12020219-B](#) [12020308](#) [12041318-B](#) [12052225-L](#)  
[12052466](#) [12059125](#) [12064869](#) [12004327-B](#) [12010503-B](#) [12015308](#) [12015384](#) [12015909](#) [1-21030-1](#) [12041254](#) [12041318](#) [12047946-B](#)  
[12047957](#) [12047957-L](#) [12059473](#) [12066261](#)