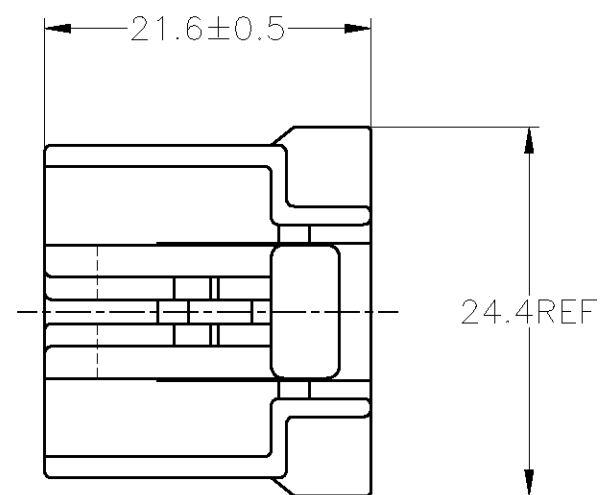
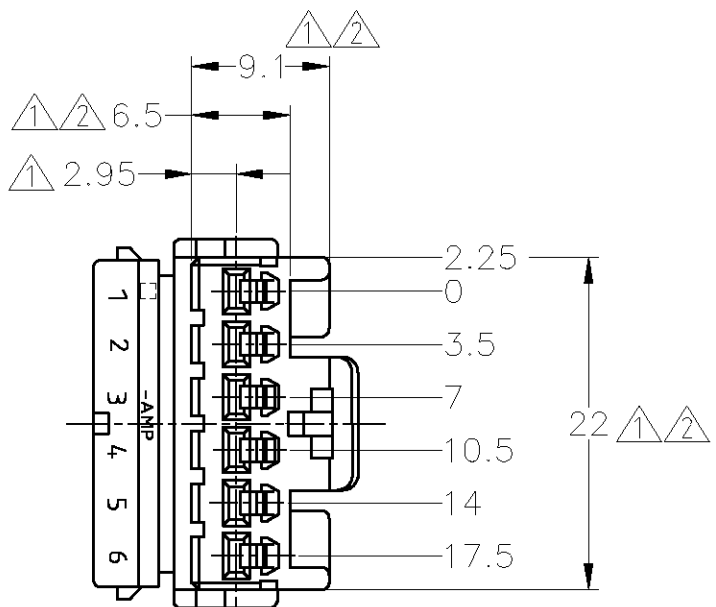


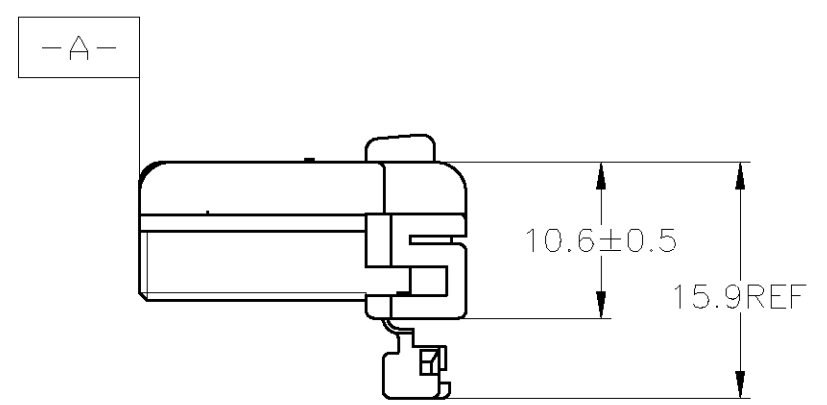
THIS DRAWING IS UNPUBLISHED. RELEASED FOR PUBLICATION
 © COPYRIGHT - By - ALL RIGHTS RESERVED.

| LOC | DIST | REVISIONS | | | | | |
|-----|------|-----------|-----|------------------|---------------|-----------|-------|
| J | - | P | LTR | DESCRIPTION | DATE | DWN | APVD |
| | | | E2 | REDRAWN W/CHANGE | ECR-12-021403 | 13DEC2012 | TS KB |



- △ MUST BE KEPT BETWEEN [-A-] AND 2
- △ TO BE MATED WITH THE CAP HOUSING SMOOTHLY
- 3. APPLIED RECEPTACLE CONTACT PART NUMBER; 173630 AND 173631
- 4. APPLIED CAP HOUSING; 174930, etc.

- △ [-A-] 面より2mmの範囲で測定
- △ 相手ハウジングと所定の機能を満足して嵌合できること
- 3. 内装するリセプタクルコンタクト型番173630 及び 173631
- 4. 嵌合相手ハウジング型番; 174930 他



| | | |
|---------------------------------------|---------------|----------------------------|
| V-2 | 自然色 (NATURAL) | 1-174923-1 |
| HB | 黄 (YELLOW) | 174923-7 |
| | 灰 (GRAY) | 174923-6 |
| | 青 (BLUE) | 174923-5 |
| | 緑 (GREEN) | 174923-4 |
| | 黒 (BLACK) | 174923-2 |
| | 自然色 (NATURAL) | 174923-1 |
| 使用材料難燃グレード (FLAMMABILITY OF MATERIAL) | | 色 (COLOR) 型番 (PART NUMBER) |

THIS DRAWING IS A CONTROLLED DOCUMENT.

| | | | |
|----------------------|---|----------------------------|--|
| DIMENSIONS: 単位: 耗 mm | TOLERANCES UNLESS OTHERWISE SPECIFIED: 一般公差 | DWN T.SHINOHARA 13DEC2012 | TE Connectivity |
| | 0 PLC ±- | CHK K.BETSUI 13DEC2012 | |
| | 1 PLC ±- | APVD K.BUTSUI 13DEC2012 | |
| | 2 PLC ±- | PRODUCT SPEC 製品規格 108-5264 | |
| | 3 PLC ±- | APPLICATION SPEC 取付適用規格 | NAME 名称 |
| | 4 PLC ±- | WEIGHT - | 070 SERIES MULTI-LOCK CONNECTOR 6POSITION PLUG HOUSING |
| | ANGLES ±- | CUSTOMER DRAWING | SIZE A3 CAGE CODE 00779 DRAWING NO. C-174923 RESTRICTED TO |
| MATERIAL 材料 PBT | FINISH 仕上 - | SCALE 尺度 2:1 | SHEET 1 OF 1 REV E2 |

TOLERANCES UNLESS OTHERWISE SPECIFIED: 一般公差

| | |
|------------------|--------------|
| 10 _± | : ±0.2 |
| 30 _± | > 10 : ±0.25 |
| 100 _± | > 30 : ±0.3 |
| ANGLE : ±3° | |

X-ON Electronics

Largest Supplier of Electrical and Electronic Components

Click to view similar products for [Automotive Connectors](#) category:

Click to view products by [TE Connectivity](#) manufacturer:

Other Similar products are found below :

[003-018-000](#) [60403001](#) [60993906-B](#) [M902-2131](#) [M902-2161](#) [M902-2344](#) [72.330.1035.1](#) [73.353.4028.0](#) [F119300-B](#) [F166900](#) [F258300-B](#)
[F358300-B](#) [F407400](#) [F444110](#) [F487000](#) [F509500B-B](#) [827153-1](#) [8N1515-32-24P](#) [9-1326729-8](#) [925474-1](#) [928905-1](#) [964562-4](#) [968782-1](#)
[GT17SA-8DS-HU](#) [98891-1012](#) [98947-1016](#) [12004147](#) [12004475-L](#) [12010290](#) [12015454](#) [12020219-B](#) [12041318-B](#) [12052225-L](#) [12052466](#)
[12064869](#) [12004327-B](#) [12015308](#) [12015384](#) [12015909](#) [1-21030-1](#) [12041254](#) [12041318](#) [12047946-B](#) [12047957](#) [12047957-L](#) [12059473](#)
[12066261](#) [12110546](#) [12110546-B](#) [12131792](#)