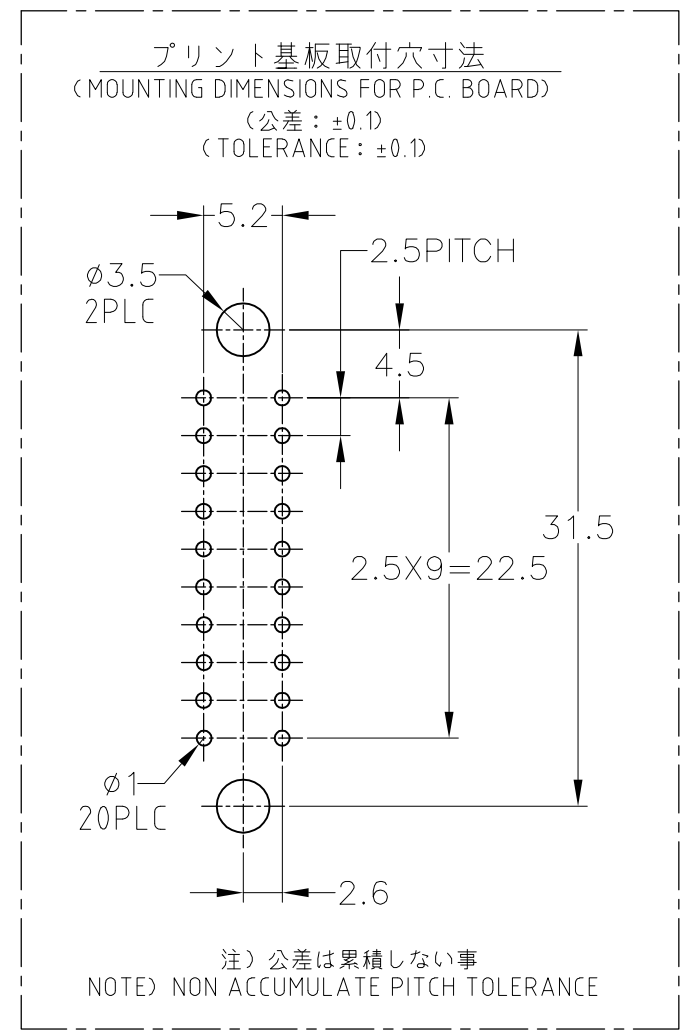
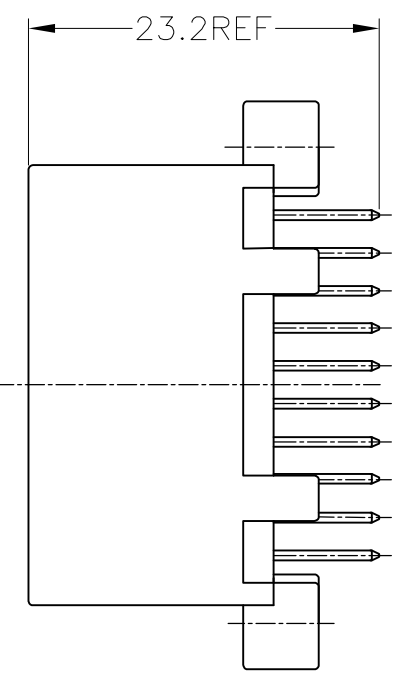
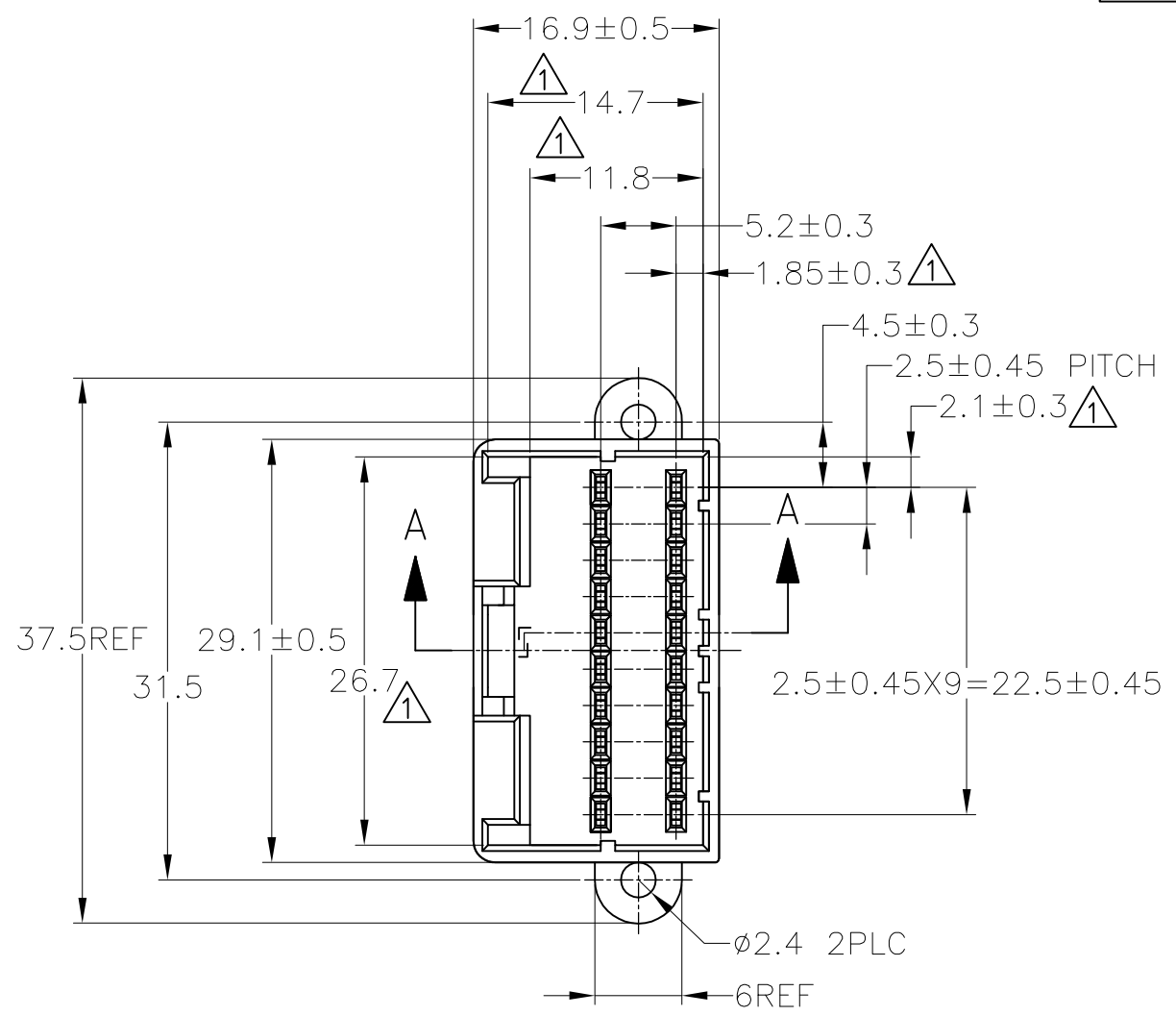
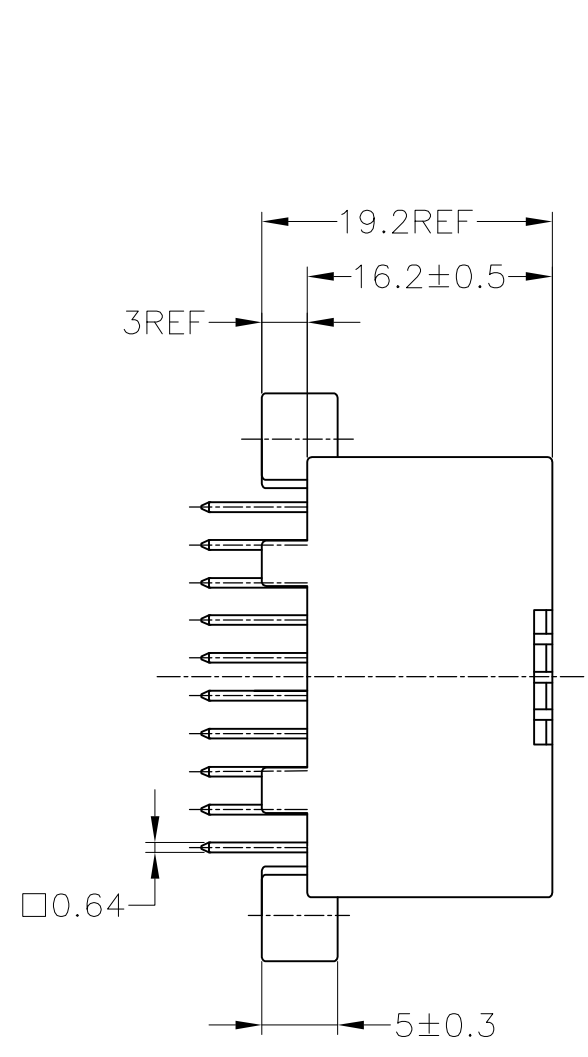
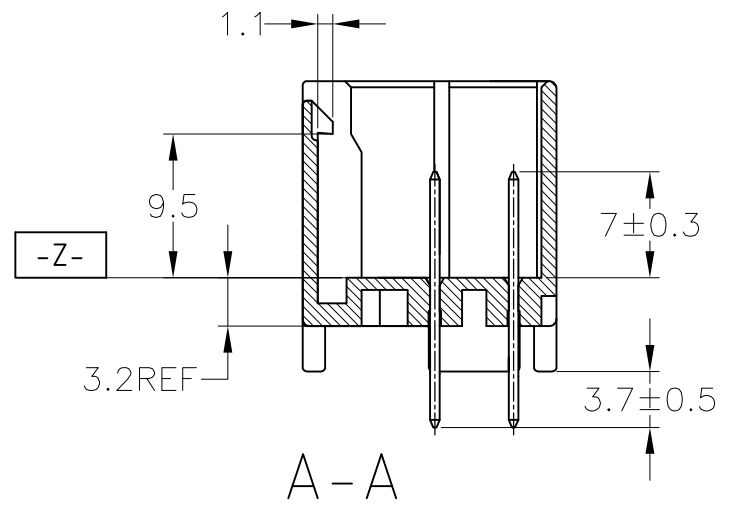


THIS DRAWING IS UNPUBLISHED. RELEASED FOR PUBLICATION  
 © COPYRIGHT 2003 BY TYCO ELECTRONICS CORPORATION. ALL RIGHTS RESERVED.

| LOC | DIST | REVISIONS |     |                        |         |     |      |
|-----|------|-----------|-----|------------------------|---------|-----|------|
| J   | —    | P         | LTR | DESCRIPTION            | DATE    | DWN | APVD |
|     |      |           | D2  | OBSOLETE ECR-07-023693 | 31OCT07 | AY  | HY   |



- ① [-Z-] 面より2mmの範囲で測定
- 2. 適用プリント基板厚: 1.6mm
- 3. 嵌合相手ハウジング型番: 174047
- 4. 推奨取付ネジ: JIS B1115, B1122 タッピンネジ, ナベ2種 呼び径3, 長さ6mm (締付けトルク0.8N-M以下)



- ① TO BE MEASURED WITHIN 2mm FROM [-Z-]
- 2. APPLICABLE P.C BOARD THICKNESS: 1.6mm
- 3. THE MATING COUNTERPART PART NUMBER: 174047
- 4. RECOMMENDED MOUNTING SCREW: 3mm DIA, 6mm LENGTH TAPPING SCREW SPECIFIED IN JIS B1115, B1122 (TIGHTENING TORQUE: 0.8N-M MAX.)

|                                  |                       |                        |  |            |                   |
|----------------------------------|-----------------------|------------------------|--|------------|-------------------|
| OBSOLETE                         | SELECTIVE-TIN         | PRE-TIN                | 20極 キャップ ハウジング アッセンブリ<br>20Pos. CAP HOUSING ASSEMBLY | 黒 BLACK    | 2-174977-2        |
|                                  |                       | PRE-TIN                | 20極 キャップ ハウジング アッセンブリ<br>20Pos. CAP HOUSING ASSEMBLY | 緑 GREEN    | 174977-4          |
|                                  |                       | PRE-TIN                | 20極 キャップ ハウジング アッセンブリ<br>20Pos. CAP HOUSING ASSEMBLY | 黒 BLACK    | 174977-2          |
|                                  | SELECTIVE-TIN (MATTE) | SELECTIVE-TIN (BRIGHT) | 20極 キャップ ハウジング アッセンブリ<br>20Pos. CAP HOUSING ASSEMBLY | 黒 BLACK    | 174977-1          |
| 半田付け部<br>SOLDERING SIDE          |                       |                        | 接触部側<br>CONTACT SIDE                                 | 名称<br>NAME | 色<br>COLOR        |
| CONTACT 仕上げ<br>FINISH OF CONTACT |                       |                        |  |            | 型番<br>PART NUMBER |

| TOLERANCE UNLESS OTHERWISE SPECIFIED: 一般公差 |       |
|--|-------|
| 0 < x ≤ 10 :                               | ±0.2  |
| 10 < x ≤ 30 :                              | ±0.25 |
| 30 < x ≤ 100 :                             | ±0.3  |
| ANGLE ; 角度                                 | ±3°   |

|  |   |
|--|---|
| THIS DRAWING IS A CONTROLLED DOCUMENT. |   |
| DIMENSIONS: 単位: 耗 MM                   | TOLERANCES UNLESS OTHERWISE SPECIFIED: 一般公差 |
| 0 PLC ±-                               | 1 PLC ±-                                    |
| 2 PLC ±-                               | 3 PLC ±-                                    |
| 4 PLC ±-                               | ANGLES ±-                                   |
| MATERIAL 材料                            | FINISH 仕上げ                                  |
| ハウジング: PBT                             | ハウジング: PBT                                  |
| CONTACT: BRASS                         | CONTACT: 黄銅                                 |

|                            |   |                 |
|----------------------------|---|-----------------|
| DWN T.SHINOHARA 26NOV01    | Tyco Electronics AMP K.K. Kawasaki, Japan   |                 |
| CHK K.BETSUI 26NOV01       | NAME 名称                                     |                 |
| APVD K.BETSUI 26NOV01      | 040 SERIES MULTI-LOCK I/O CONNECTOR         |                 |
| PRODUCT SPEC 製品規格 108-5244 | 20Pos. CAP HOUSING ASSEMBLY (VERTICAL TYPE) |                 |
| APPLICATION SPEC 取付適用規格    | SIZE A3                                     | CAGE CODE 00779 |
| WEIGHT 5.9 g               | DRAWING NO 番号 G-174977                      | RESTRICTED TO   |
| CUSTOMER DRAWING           | SCALE 尺度 2:1                                | SHEET 1 OF 1    |
|                            |   | REV D2          |

## X-ON Electronics

Largest Supplier of Electrical and Electronic Components

*Click to view similar products for [Automotive Connectors](#) category:*

*Click to view products by [TE Connectivity](#) manufacturer:*

Other Similar products are found below :

[003-018-000](#) [60403001](#) [60993906-B](#) [M902-2131](#) [M902-2161](#) [72.330.1035.1](#) [73.353.4028.0](#) [F119300-B](#) [F166900](#) [F258300-B](#) [F358300-B](#)  
[F407400](#) [F444110](#) [F487000](#) [F509500B-B](#) [827153-1](#) [8N1515-32-24P](#) [9-1326729-8](#) [925474-1](#) [928905-1](#) [964562-4](#) [968782-1](#) [GT17SA-8DS-](#)  
[HU](#) [98891-1012](#) [98947-1016](#) [12004147](#) [12004475-L](#) [12010290](#) [12010309-B](#) [12015454](#) [12020219-B](#) [12020308](#) [12041318-B](#) [12052225-L](#)  
[12052466](#) [12059125](#) [12064869](#) [12004327-B](#) [12010503-B](#) [12015308](#) [12015384](#) [12015909](#) [1-21030-1](#) [12041254](#) [12041318](#) [12047946-B](#)  
[12047957](#) [12047957-L](#) [12059473](#) [12066261](#)