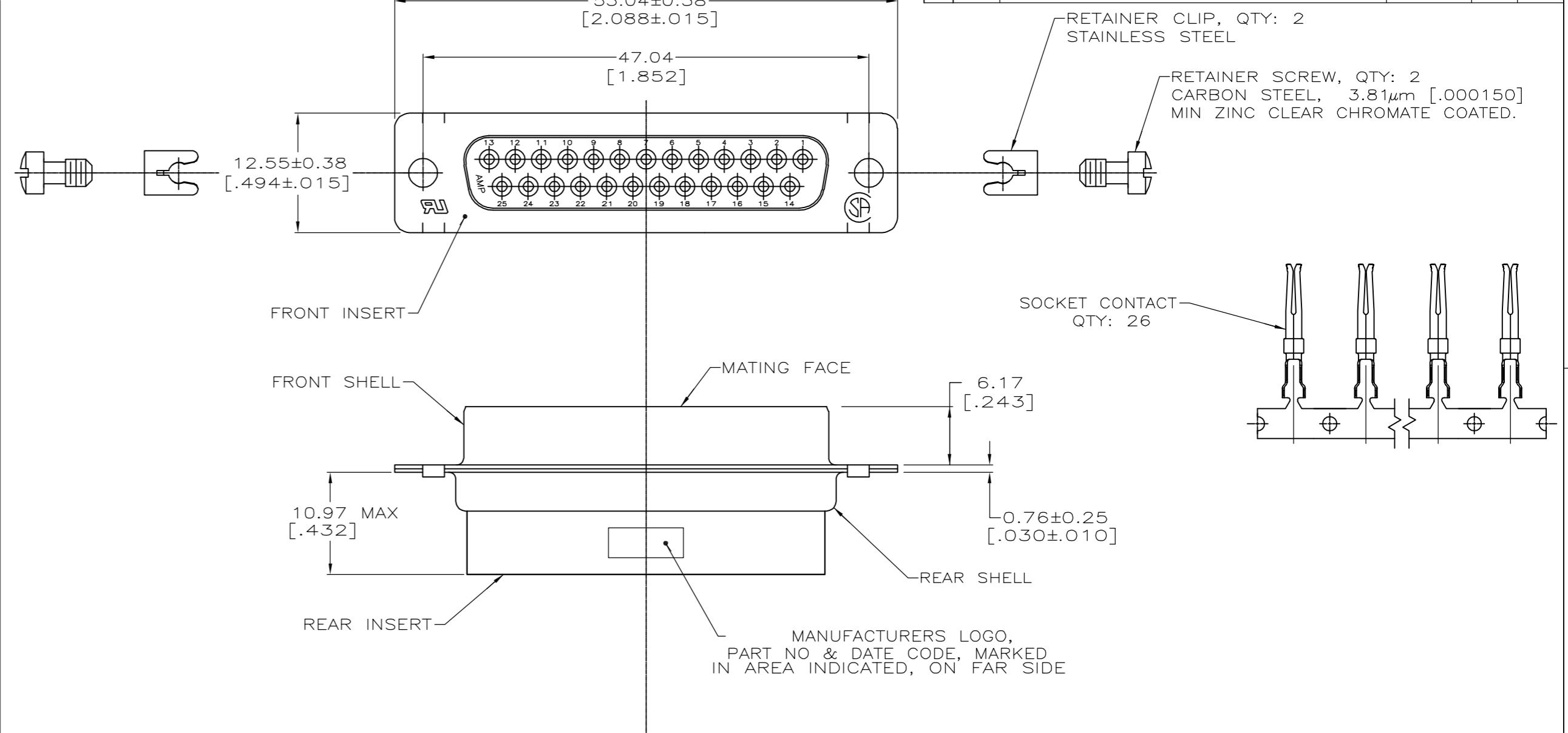
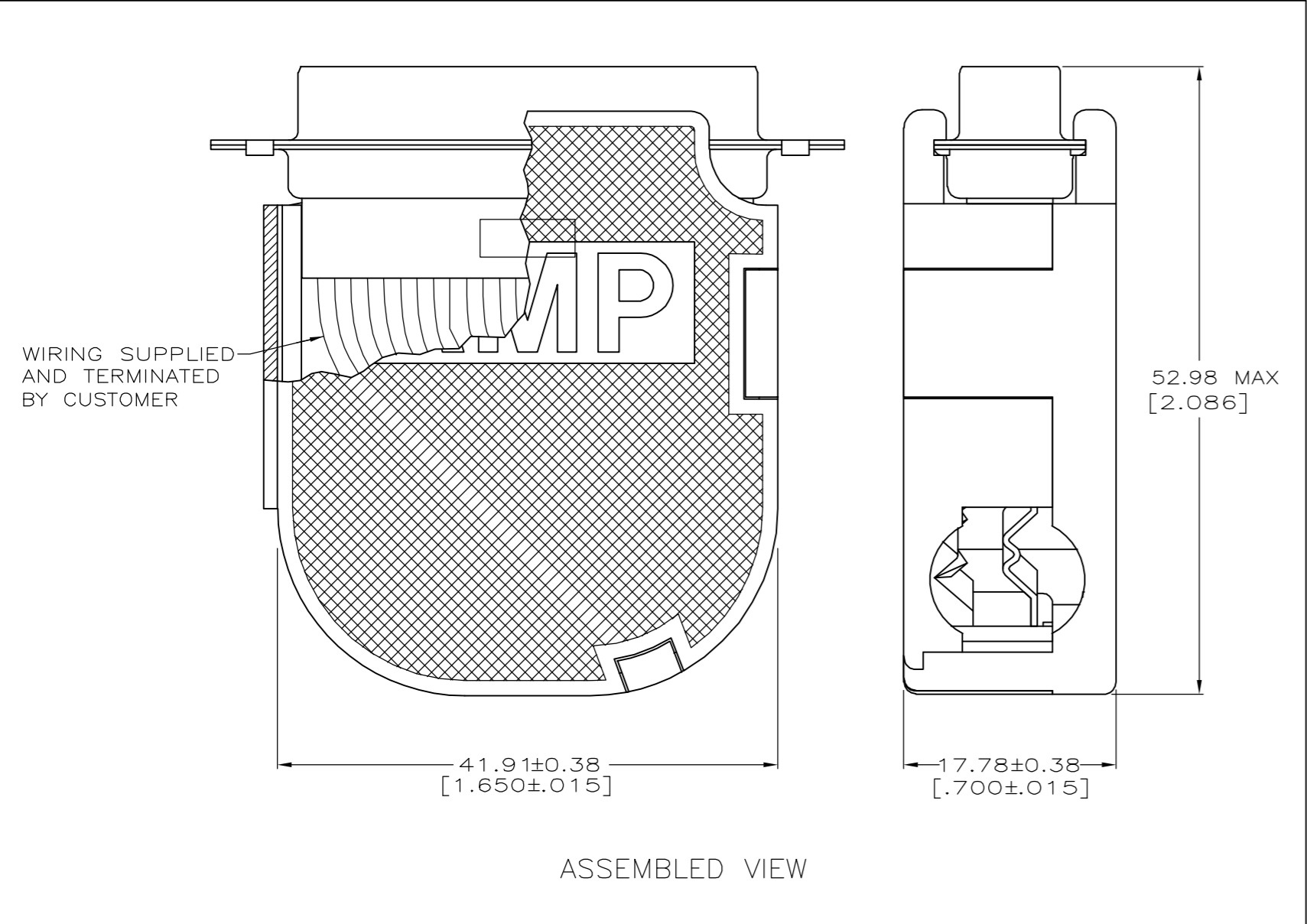
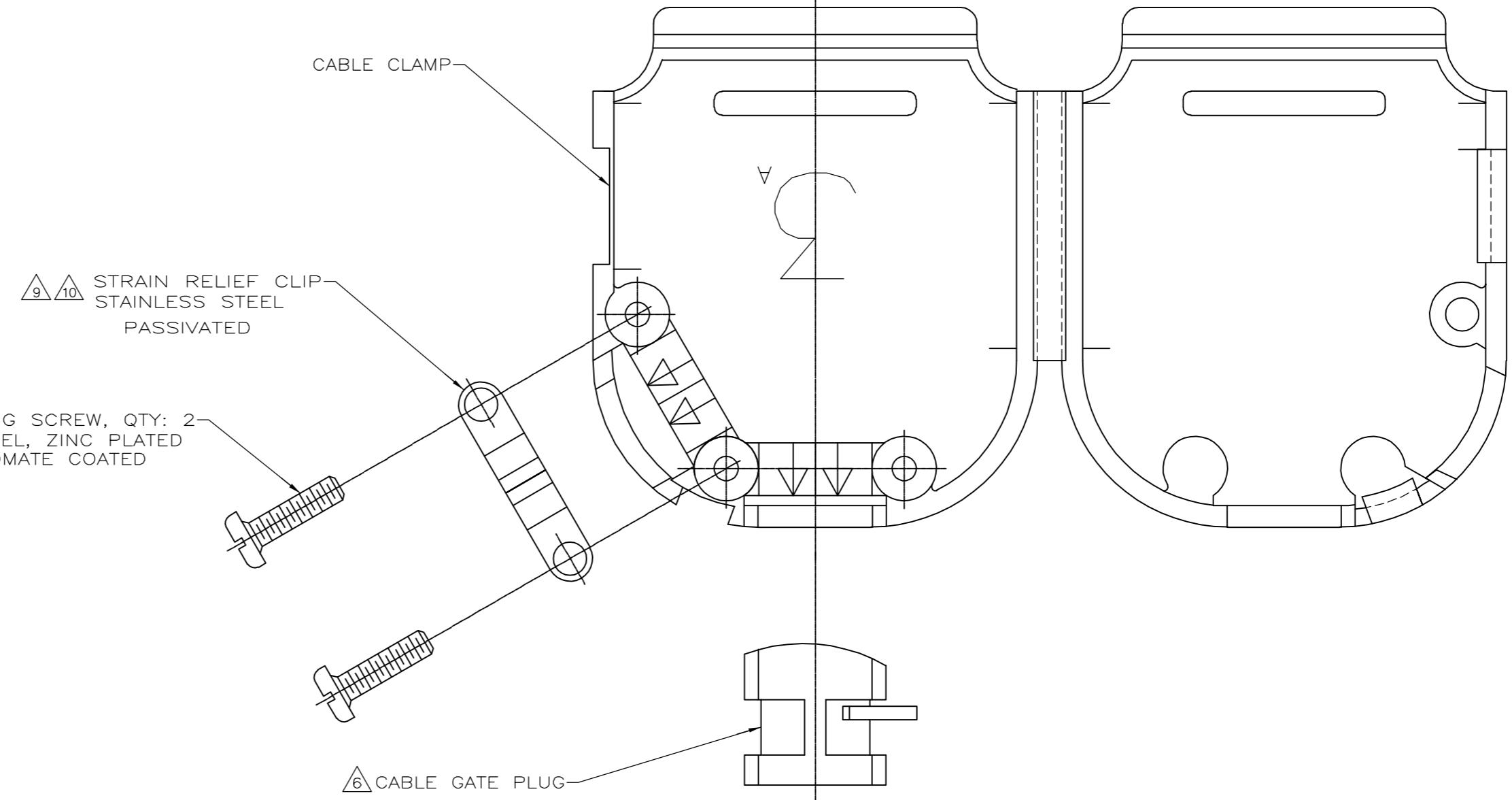


THIS DRAWING IS UNPUBLISHED. RELEASED FOR PUBLICATION
 © COPYRIGHT BY TYCO ELECTRONICS CORPORATION. ALL RIGHTS RESERVED.

| LOC | | DIST | | REVISIONS | | | | | |
|-----|--|------|--|-----------|-----|-----------------------------|---------|-----|------|
| GP | | 00 | | P | LTR | DESCRIPTION | DATE | DWN | APVD |
| | | | | A | | REVISED PER EC 0S13-0266-05 | 18JUL06 | BM | CR |



- 1. CONTACTS ACCEPT 20-24 AWG RANGE.
 - △ INSERTS: NYLON, GLASS FILLED, UL 94V-0 RATED, BLACK.
 - △ CABLE CLAMP & CABLE GATE PLUG: POLYPROPYLENE, BLACK
 - △ CONTACTS: PHOSPHOR BRONZE.
 - △ SHELLS: CARBON STEEL.
 - △ CABLE GATE PLUG TO BE PLACED IN CABLE EXIT NOT BEING USED.
 - △ CONTACTS: GOLD FLASH FOR A LENGTH OF 2.54[.100] MIN FROM MATING END, 2.54µm[.000100] MIN TIN ON OPPOSITE END FOR A LENGTH OF 4.06 [.160] MIN FROM END OF INSULATION BARREL, BOTH OVER 0.76µm[.000030] MIN NICKEL ON ENTIRE CONTACT.
 - △ SHELLS: 5.08µm[.000200] MIN TIN OVER 2.54µm[.000100] MIN COPPER.
 - △ STRAIN RELIEF CLIP CAN BE REVERSED FOR PROPER INSTALLATION, DEPENDING ON SIZE OF CABLE DIAMETER.
 - △ STRAIN RELIEF CLIP AND SELF TAPPING SCREWS MAY BE USED AT EITHER CABLE EXIT.
11. CABLE DIAMETER RANGE = 4.58-11.68 [.180-.460].



1-749812-1
PART NO

| | | | | | |
|---|--|------------------------------------|--|---|--------------------|
| THIS DRAWING IS A CONTROLLED DOCUMENT. | | DWN 12-22-04 G. ATTADIA - DOCK5 | tyco Electronics | Tyco Electronics Corporation Harrisburg, Pa 17105-3608 | |
| DIMENSIONS: mm(INCHES) | | CHK 12-22-04 J. GERACE | | NAME | |
| TOLERANCES UNLESS OTHERWISE SPECIFIED: 0 PLC ± - 1 PLC ± - 2 PLC ± 0.13 [.005] 3 PLC ± - 4 PLC ± - ANGLES ± - | | APVD 12-22-04 M. WALMSLEY | RECEPTACLE KIT, UNASSEMBLED, SIZE 3, 25 POSITION, AMPLIMITE HDP-20 | | |
| MATERIAL △△△△△ | | FINISH △△ | PRODUCT SPEC 108-40005 | SIZE A2 | CAGE CODE 00779 |
| | | | APPLICATION SPEC 114-10000 & 114-40030 | DRAWING NO C=1-749812-1 | |
| | | | WEIGHT - | RESTRICTED TO - | |
| | | | CUSTOMER DRAWING | SCALE 3:1 | SHEET 1 OF 1 |

1-749812-1

X-ON Electronics

Largest Supplier of Electrical and Electronic Components

Click to view similar products for [D-Sub Standard Connectors](#) category:

Click to view products by [TE Connectivity](#) manufacturer:

Other Similar products are found below :

[56F711-015](#) [012-9507-004](#) [LV242999-142T12](#) [015-0341-000](#) [015-0372-005](#) [015-0372-008](#) [015-8755-001](#) [020419-0104](#) [012-0467-000](#) [012-0515-000](#) [012-9507-034](#) [012-9507-114](#) [020745-0008](#) [609-25P](#) [M24308/2-23Z](#) [CT2-14S-2PCA34](#) [CT2-18-11PCAU](#) [CT6-10SL-3SC](#) [CT6-10SL-4SC](#) [CT6-14S-2SC](#) [CT6E14SA7SC](#) [M83513/01-FC](#) [M83723/76W24619 L/C](#) [M85049/48-3-2F](#) [6STD09PCM99B70X](#) [6STD09SCM99B30X](#) [6STD09SCT99S40X](#) [6STD15PCT99S40X](#) [6STD15SCM99B30X](#) [6STD15SCT99S40X](#) [6STF09PCM05B70X](#) [7-135760-9](#) [MC11E-10-6SN](#) [747552-3](#) [MD1-21PS](#) [MDM-15SCBRM7-F222](#) [MDM96517-699](#) [MDM96521-744](#) [MDVB1-21SL1](#) [MIK0-1-7SH003](#) [MIKQ6-7SH076](#) [MIKQ7-7PH077](#) [MIKQ7-7PH11](#) [MIKQ7-7PH32](#) [MJSV-28SL61](#) [MKJ4A1F14-55S](#) [8-135760-3](#) [8STD09PCM99B30X](#) [PG-KV/PV-16-GROM-SEALING](#) [GDA15P](#)