

THIS DRAWING IS UNPUBLISHED.

RELEASED FOR PUBLICATION JUL ,1999.

© COPYRIGHT 1999 By -

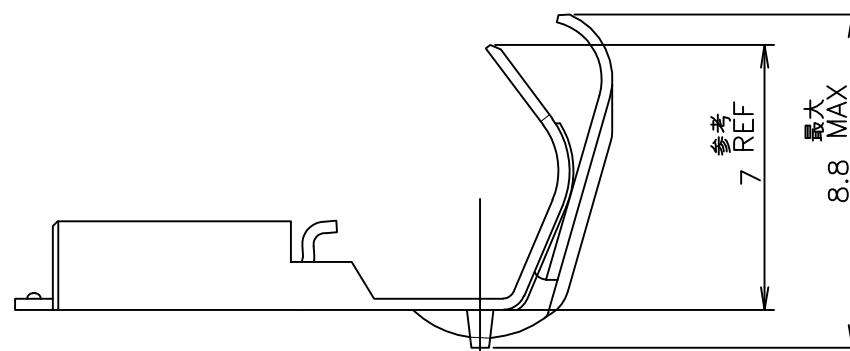
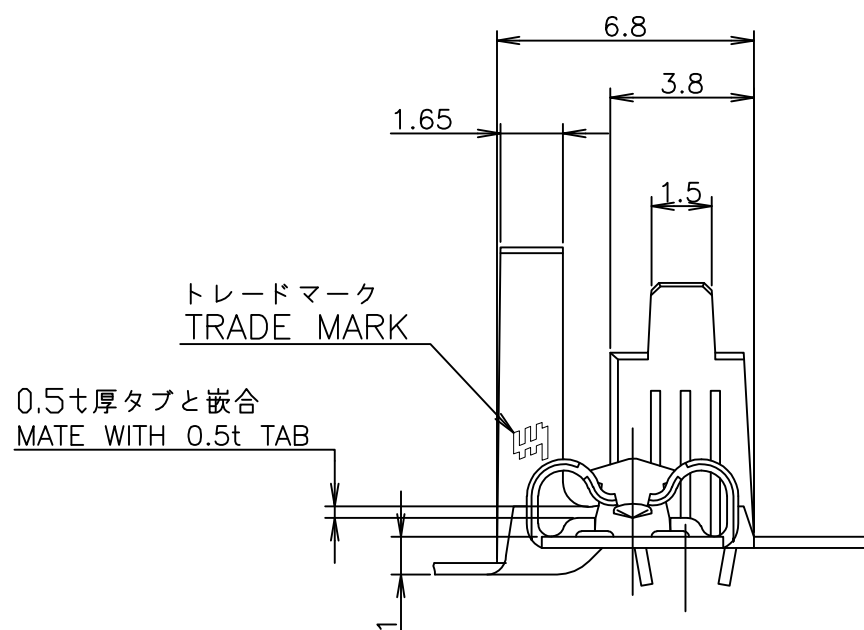
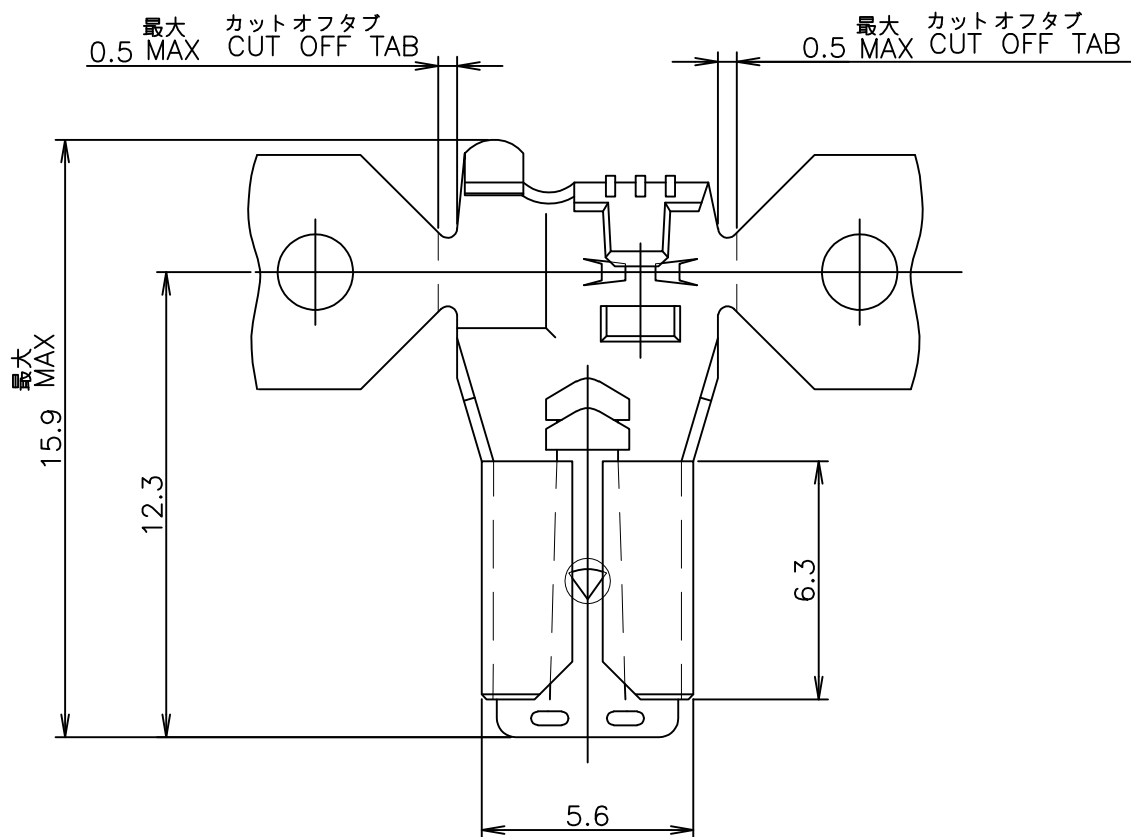
ALL RIGHTS RESERVED.

REVISIONS

変更

P	LTR	DESCRIPTION	DATE	DWN	APVD
	F2	REVISED PER ECR-15-018717	29JUN17	LP	TD

-1; AS SHOWN



OBSOLETE

1 APPLICABLE SLEEVE P/N: 1717269, 178708

1 適用スリーブ型番: 1717269, 178708

PRE TIN HIGH HEAT RESISTANCE COPPER ALLOY 0.3t	175019-6
錫めっき済み高耐熱銅合金 0.3t	
PRE TINNED PHOSPHOR BRONZE 0.3t	175019-5
錫めっき済み燐青銅 0.3t	
PRE TINNED BRASS 0.3t	175019-1
錫めっき済み黄銅 0.3t	
MATERIAL 材質	P/N 型番
WIRE RANGE 抱合電線断面積	AWG #22-#16 0.3~1.42 mm ²
INSULATION DIA 被覆外径	1.5~4.32 mm ϕ

THIS DRAWING IS A CONTROLLED DOCUMENT.

DWN M.SUZUKI 07JUL1999

CHK M.SHINDO 07JUL1999

APVD M.SHINDO 07JUL1999

PRODUCT SPEC 108-5250

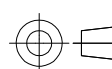
APPLICATION SPEC 114-5118

WEIGHT 0.000000

CUSTOMER DRAWING

DIMENSIONS:
単位: 耗
mm

TOLERANCES UNLESS
OTHERWISE SPECIFIED:
一般公差



0 PLC	±
1 PLC	±
2 PLC	±
3 PLC	±
4 PLC	±
ANGLES	±

FINISH
仕上

MATERIAL 表参照
材料 SEE TABLE

GENERAL TOLERANCE
一般公差

10 \geq : ± 0.2
 30 \geq > 10: ± 0.25
 100 \geq > 30: ± 0.3
 ANGLES: $\pm 3^\circ$

STE TE Connectivity

NAME 187 SERIES FLAG POSITIVE LOCK-EX REC.
187 シリーズ・旗型・ポジティブロック EX リセブタクル

SIZE	CAGE CODE	DRAWING NO	RESTRICTED TO
A3	00779	C-175019	-

SCALE 5:1 SHEET 1 OF 1 REV F2

X-ON Electronics

Largest Supplier of Electrical and Electronic Components

Click to view similar products for [Headers & Wire Housings](#) category:

Click to view products by [TE Connectivity](#) manufacturer:

Other Similar products are found below :

[95000-104TRLF](#) [10135584-644402LF](#) [DF62W-EP2022PCA](#) [95000-106TRLF](#) [DF62W-2022SCA](#) [DF62W-EP2022PC](#) [2203348](#) [DF62W-2022SC](#) [1084018](#) [1029039](#) [1084017](#) [802-10-012-10-002000](#) [1112640](#) [1112639](#) [891-007-9SS-BST1T](#) [000-34000](#) [0008550134](#) [0009482033](#) [0009507031](#) [57102-F02-18ULF](#) [57102-S06-03LF](#) [57202-S52-04LF](#) [PCN6-15S-2.5E](#) [0039019024](#) [58102-G61-06LF](#) [582553-1](#) [0009485154](#) [0009508121](#) [0022285053](#) [0050291907](#) [018731A](#) [LY20-4P-DT1-P1E-BR](#) [02.125.8002.8](#) [60101931](#) [60598-1 \(Cut Strip\)](#) [M1625-3R/100](#) [61062-3](#) [61082-181009](#) [CSU011177004](#) [636-1427](#) [638009-1](#) [641938-9](#) [641991-4](#) [644168-1](#) [644827-2](#) [647662-1](#) [65039-019ELF](#) [65692-001LF](#) [65781-018](#) [65781-047](#)