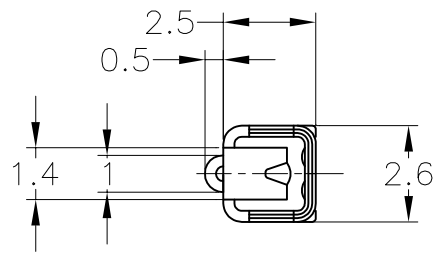
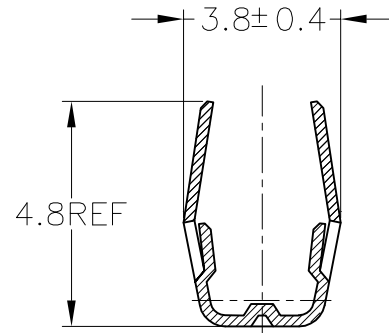
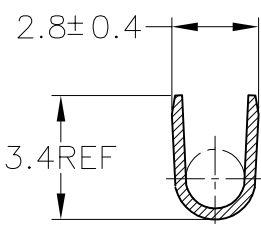
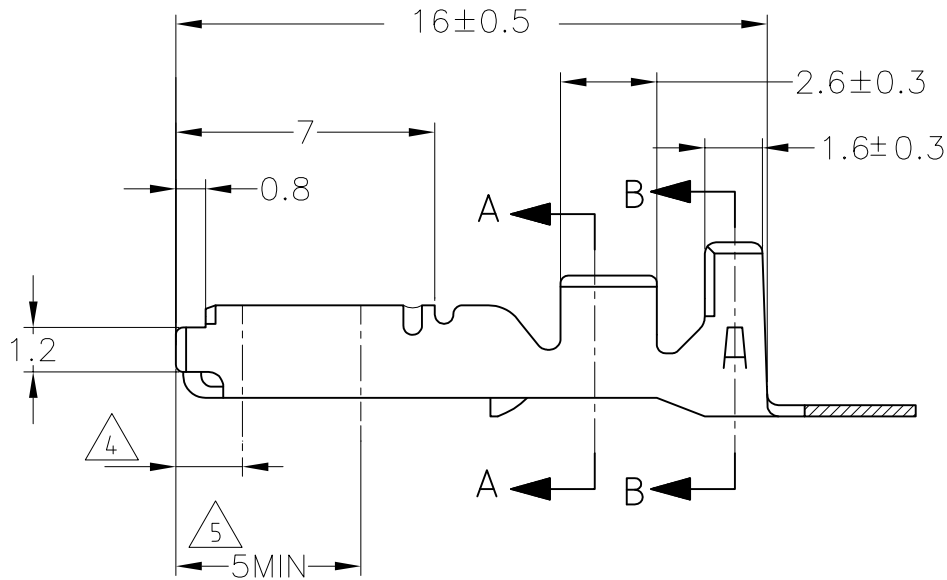
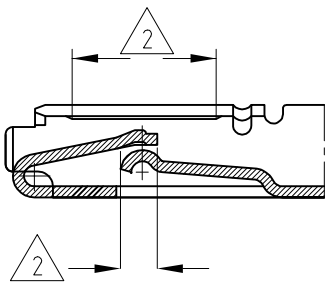
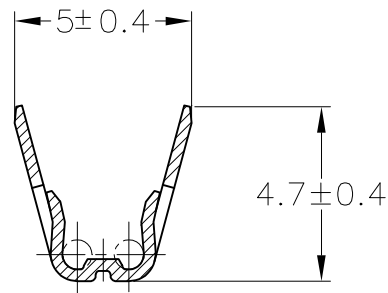
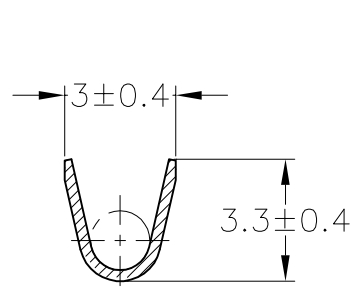
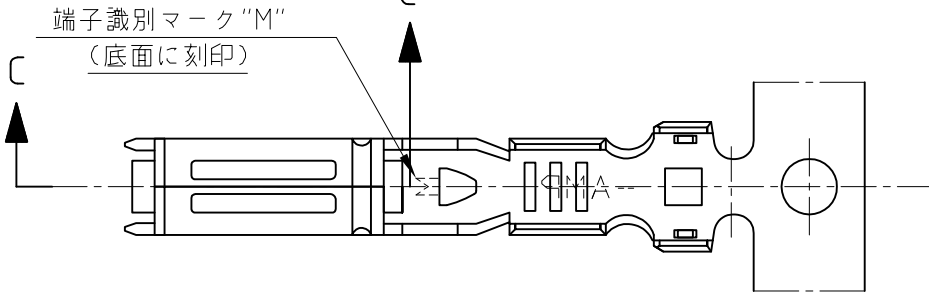


THIS DRAWING IS UNPUBLISHED. RELEASED FOR PUBLICATION
 © COPYRIGHT - By - ALL RIGHTS RESERVED.

LOC	DIST	REVISIONS			
J	-	変更			
P	LTR	DESCRIPTION	DATE	DWN	APVD
	F	REVISED	ECR-14-018500	18DEC2014	TS YF



WIRE RANGE ID MARK ("M" SIZE MARK) (STAMPED ON BOTTOM)
 端子識別マーク "M" (底面に刻印)



- 1 製品規格 ; 108-5216, 108-5231, 108-5264, 108-3371
- 2 部分金めっき
- 3. 取付適用規格 ; 114-5091
- 4 識別用金めっき (全周)
- 5 部分金めっき (両側のみ)

- 1. SPEC; 108-5216, 108-5231, 108-5264, 108-3371
- 2. SELECTIVE GOLD PLATING
- 3. APPLICATION SPEC; 114-5091
- 4. GOLD PLATING FOR DISCERNMENT (ALL AROUND)
- 5. SELECTIVE GOLD PLATING (ONLY BOTH SIDES OF THE BOX)

TOLERANCE UNLESS OTHERWISE SPECIFIED: 一般公差	
0 < x ≤ 10	±0.2
10 < x ≤ 30	±0.25
30 < x ≤ 100	±0.3
ANGLE	±3°

THIS DRAWING IS A CONTROLLED DOCUMENT.		DWN M.SUGAWARA 12MAY06	TE Connectivity 070 SERIES RECEPTACLE CONTACT	
DIMENSIONS: 単位: 耗 mm		CHK T.SHINOHARA 12MAY06		
TOLERANCES UNLESS OTHERWISE SPECIFIED: 一般公差		APVD K.BETSUI 12MAY06	NAME 名称	
0 PLC ± -		PRODUCT SPEC 製品規格	SEE NOTE 1	
1 PLC ± -		APPLICATION SPEC 取付適用規格	SEE NOTE 3	
2 PLC ± -		WIRE RANGE 0.5~1.25mm ² (AWG#20-#16)	SIZE A3	CAGE CODE 00779
3 PLC ± -		INSULATION DIA. 2~2.6mmφ	DRAWING NO C=173631	RESTRICTED TO -
4 PLC ± -			SCALE 尺度 5:1	SHEET 1 of 1
ANGLES ± -		MATERIAL 材料 SEE TABLE	FINISH 仕上 SEE TABLE	REV F
CUSTOMER DRAWING				

X-ON Electronics

Largest Supplier of Electrical and Electronic Components

Click to view similar products for [Automotive Connectors](#) category:

Click to view products by [TE Connectivity](#) manufacturer:

Other Similar products are found below :

[003-018-000](#) [600858](#) [60403001](#) [60993906-B](#) [60993913-B](#) [629515004020001](#) [M902-2131](#) [M902-2161](#) [M902-2344](#) [72.330.1035.1](#)
[73.353.4028.0](#) [F118010](#) [F119300-B](#) [F132210](#) [F132210-B](#) [F166900](#) [F180100](#) [F258300](#) [F258300-B](#) [F294300-B](#) [F339100](#) [F339700](#) [F358300-](#)
[B](#) [F374110](#) [F407400](#) [F412210](#) [F427600](#) [F444110](#) [F487000](#) [F495100-B](#) [F500900-B](#) [F509500B-B](#) [770444-1](#) [776880-1](#) [827153-1](#) [881735-1](#)
[8N1515-32-24P](#) [9-1326727-8](#) [9-1326729-8](#) [925467-1](#) [925474-1](#) [928905-1](#) [936398-2](#) [964562-1](#) [964562-4](#) [964731-2](#) [965051-1](#) [968782-1](#)
[GT17SA-8DS-HU](#) [GT17VS-10DP-5.2CF](#)