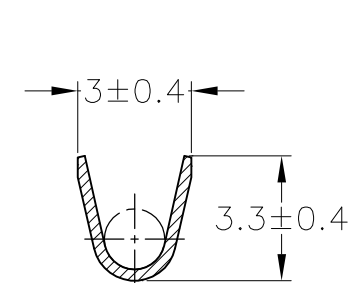
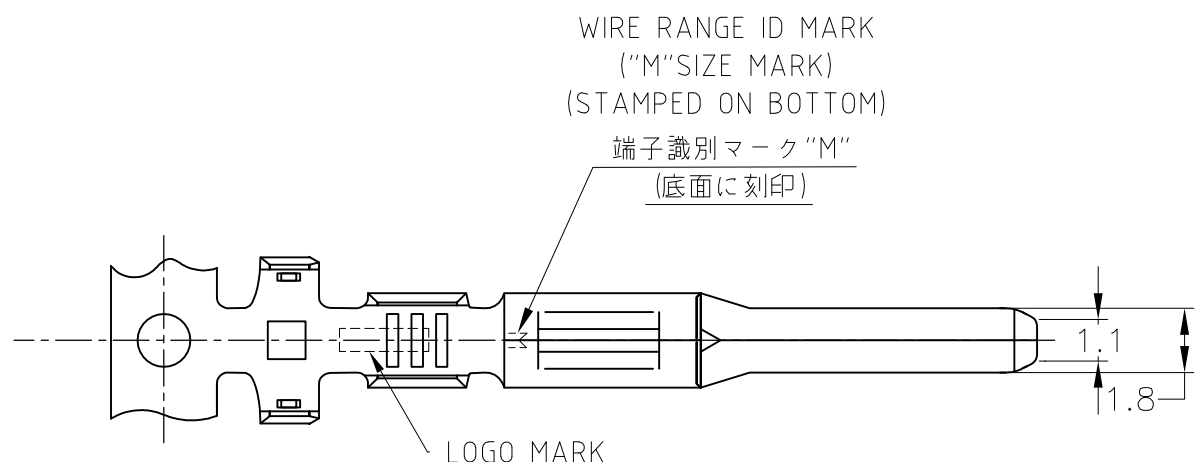
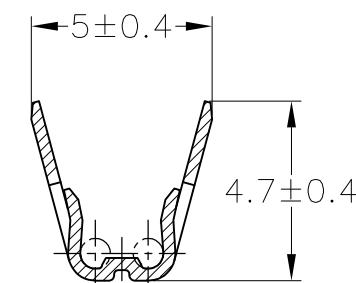


REVISIONS

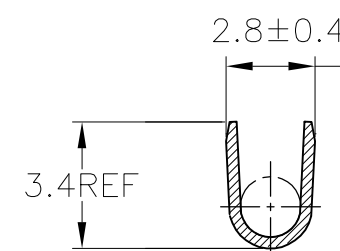
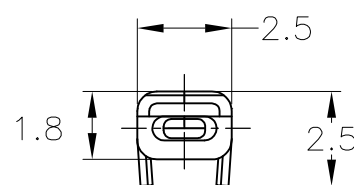
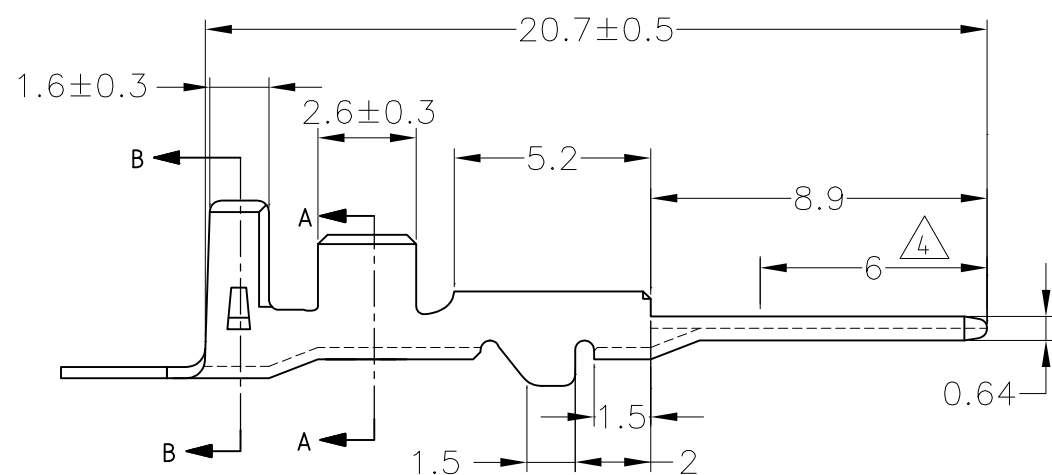
| P | LTR | DESCRIPTION | DATE | DWN | APVD |
|---|-----|-------------|---------------|-----------|-------|
| | F | REVISED | ECR-17-012605 | 25JAN2018 | YN TK |



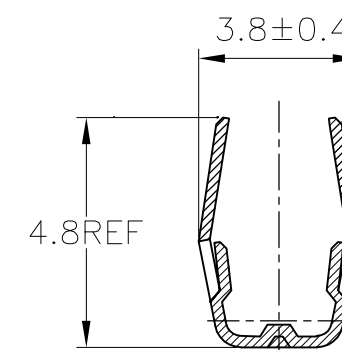
断面 A-A
SECT A-A



断面 B-B
SECT B-B



断面 A-A
SECT A-A
(175030のみ適用)
(ONLY 175030)



断面 B-B
SECT B-B
(175030のみ適用)
(ONLY 175030)

- 1. 製品規格; 108-5231, 108-5264
- 2. 嵌合相手端子型番; 173631 他
- 3. 圧着規格; 114-5092
- △ 部分金めっき, 他はニッケルめっき

- 1. SPEC; 108-5231, 108-5264
- 2. RECEPTACLE CONTACT; 173631 etc
- 3. APPLICATION SPECIFICATION; 114-5092
- △ SELECTIVE GOLD PLATING, REMAINDER NICKEL PLATING

| SEE DRAWING 173645-5 | | | 173645-5 |
|----------------------|--------------------------|--------------------------------|-------------------|
| 175030-3 | 部分金めっき SELECTIVE GOLD | リン青銅 板厚0.32 PHOS BRO. t0.32 | 173645-3 |
| 175030-2 | 錫めっき済み PRE-TINNED | リン青銅 板厚0.32 PHOS BRO. t0.32 | 173645-2 |
| 175030-1 | 錫めっき済み PRE-TINNED | 黄銅 板厚0.32 BRASS t0.32 | 173645-1 |
| パラ端子型番 L/P NUMBER | 仕上 FINISH | 材料 MATERIAL | 型番 PART NUMBER |

| TOLERANCES UNLESS OTHERWISE SPECIFIED: 一般公差 | |
|---|-------|
| 10 ≥ | ±0.2 |
| 30 ≥ > 10 | ±0.25 |
| 100 ≥ > 30 | ±0.3 |
| ANGLE | ±3° |

THIS DRAWING IS A CONTROLLED DOCUMENT.

| DIMENSIONS: 単位: 耗 mm | TOLERANCES UNLESS OTHERWISE SPECIFIED: 一般公差 |
|----------------------------|--|
| | 0 PLC ±- |
| | 1 PLC ±- |
| | 2 PLC ±- |
| | 3 PLC ±- |
| | 4 PLC ±- |
| | ANGLES ±- |
| MATERIAL 材料 | FINISH 仕上 |
| SEE TABLE | SEE TABLE |

| | | |
|------------------|-------------|----------|
| DWN | M.SUGAWARA | 16MAY06 |
| CHK | T.SHINOHARA | 16MAY06 |
| APVD | K.BETSUI | 16MAY06 |
| PRODUCT SPEC | 製品規格 | SEE NOTE |
| APPLICATION SPEC | 取付適用規格 | SEE NOTE |
| WEIGHT | - | |

| | | | | |
|----------------------|-------|------------|------------------------|-----|
| TE Connectivity Ltd. | | | 070 SERIES TAB CONTACT | |
| | | | | |
| CAGE CODE | 00779 | DRAWING NO | G-173645 | |
| CUSTOMER DRAWING | | | RESTRICTED TO | - |
| SCALE | 5:1 | SHEET | 1 OF 1 | REV |
| | | | | F |

X-ON Electronics

Largest Supplier of Electrical and Electronic Components

Click to view similar products for [Automotive Connectors](#) category:

Click to view products by [TE Connectivity](#) manufacturer:

Other Similar products are found below :

[003-018-000](#) [600858](#) [60403001](#) [60993906-B](#) [60993913-B](#) [629515004020001](#) [M83723/71R1808N L/C](#) [M902-2131](#) [M902-2161](#) [M902-2344](#)
[72.330.1035.1](#) [73.353.4028.0](#) [F118010](#) [F119300-B](#) [F132210](#) [F166900](#) [F180100](#) [F258300](#) [F258300-B](#) [F294300-B](#) [F339100](#) [F339700](#)
[F358300-B](#) [F374110](#) [F407400](#) [F412210](#) [F444110](#) [F487000](#) [F495100](#) [F500900-B](#) [F509500B-B](#) [770444-1](#) [827153-1](#) [881735-1](#)
[8N1515-32-24P](#) [9-1326729-8](#) [925467-1](#) [925474-1](#) [928905-1](#) [936398-2](#) [964562-4](#) [964731-2](#) [968782-1](#) [GT17SA-8DS-HU](#) [GT17VS-10DP-](#)
[5.2CF](#) [98315-0001](#) [98315-0010](#) [98891-1012](#) [98895-2014](#) [98936-1039](#)