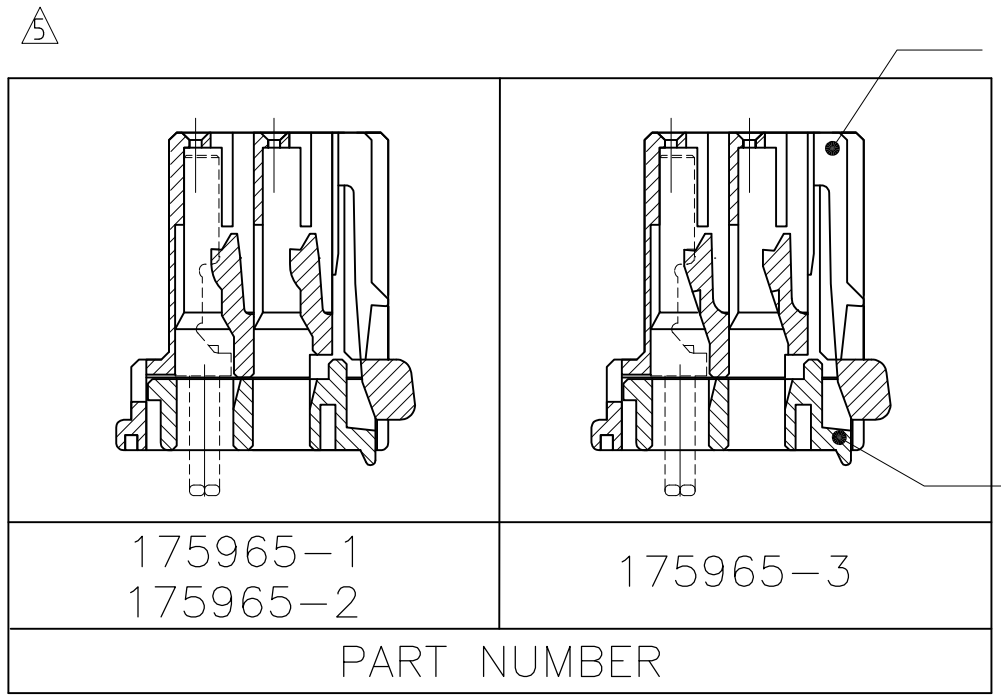
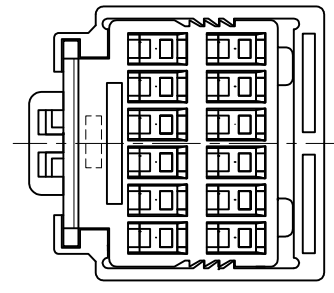
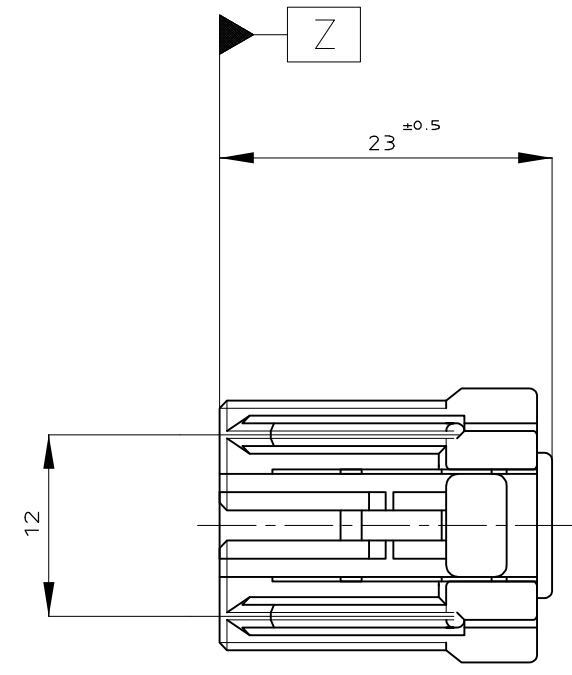
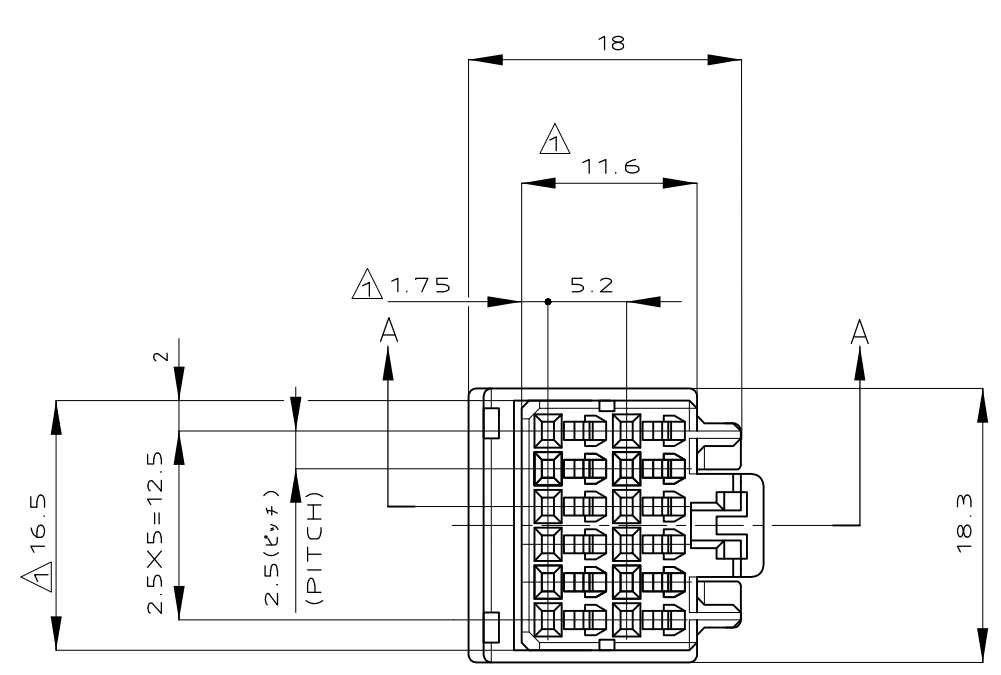


THIS DRAWING IS UNPUBLISHED. RELEASED FOR PUBLICATION  
 © COPYRIGHT - By - ALL RIGHTS RESERVED.

LOC	DIST	REVISIONS					
J	-	P	LTR	DESCRIPTION	DATE	DWN	APVD
		B3	REVISED	ECR-15-009159	18JUN15	AY	RK



PLUG HOUSING

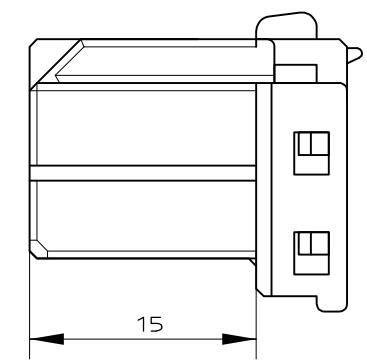
DOUBLE LOCK PLATE

175965-1  
175965-2

175965-3

PART NUMBER

A-A



- △ MUST BE KEPT BETWEEN Z AND 2mm
- 2 THE MATING CAP HSG. PART NUMBER;175974,175976
- 3 APPLIED CONTACT PART NUMBER;173681
- 4 APPLICABLE PRODUCT SPEC NO.;108-5281
- △ THIS PLUG HOUSING HAVE TWO KINDS OF LANCE TYPE.

- △ Z 面より2mmの範囲で測定。
- 2 かん合相手ハウジング型番 ; 175974,175976
- 3 内装するリセプタクルコンタクト型番 ; 173681
- 4 適用製品規格番号 ; 108-5281
- △ 本プラグハウジングは2タイプのランス形状がある

BLACK	175965-3
BLACK	175965-2
WHITE	175965-1
COLOR	PART NUMBER

TOLERANCE UNLESS OTHERWISE SPECIFIED: 一般公差

0 < x ≤ 10	: ±0.2
10 < x ≤ 30	: ±0.25
30 < x ≤ 100	: ±0.3
ANGLE ; 角度	: ±3°

THIS DRAWING IS A CONTROLLED DOCUMENT.

DIMENSIONS: 単位: 耗 mm	TOLERANCES UNLESS OTHERWISE SPECIFIED: 一般公差
	0-PLC ±
	1-PLC ±
	2-PLC ±
	3-PLC ±
	4-PLC ±
	ANGLES ±
MATERIAL 材料 PBT	FINISH 仕上

DWN K. SUZUKI 24OCT89
CHK Y. MATSUSAKA 19DEC89
APVD M. NOGUCHI 26DEC89
PRODUCT SPEC 製品規格 108-5281
APPLICATION SPEC 取付適用規格
WEIGHT 3.2 g

<b>STE</b> TE Connectivity			
NAME 040 SERIES MULTI-LOCK I/O CONNECTOR MK-II 製品規格 12POSITION PLUG HOUSING ASSEMBLY			
SIZE	CAGE CODE	DRAWING NO	RESTRICTED TO
A3	00779	C-175965	-
CUSTOMER DRAWING		SCALE 2:1	SHEET 1 OF 1 REV B3

## X-ON Electronics

Largest Supplier of Electrical and Electronic Components

*Click to view similar products for [Automotive Connectors](#) category:*

*Click to view products by [TE Connectivity](#) manufacturer:*

Other Similar products are found below :

[003-018-000](#) [600858](#) [60403001](#) [60993906-B](#) [60993913-B](#) [629515004020001](#) [M83723/71R1808N L/C](#) [M902-2131](#) [M902-2161](#) [M902-2344](#)  
[72.330.1035.1](#) [73.353.4028.0](#) [F118010](#) [F119300-B](#) [F132210](#) [F166900](#) [F180100](#) [F258300](#) [F258300-B](#) [F294300-B](#) [F339100](#) [F339700](#)  
[F358300-B](#) [F374110](#) [F407400](#) [F412210](#) [F444110](#) [F487000](#) [F495100](#) [F500900-B](#) [F509500B-B](#) [770444-1](#) [827153-1](#) [881735-1](#)  
[8N1515-32-24P](#) [9-1326729-8](#) [925467-1](#) [925474-1](#) [928905-1](#) [936398-2](#) [964562-4](#) [964731-2](#) [968782-1](#) [GT17SA-8DS-HU](#) [GT17VS-10DP-](#)  
[5.2CF](#) [98315-0001](#) [98315-0010](#) [98891-1012](#) [98895-2014](#) [98936-1039](#)