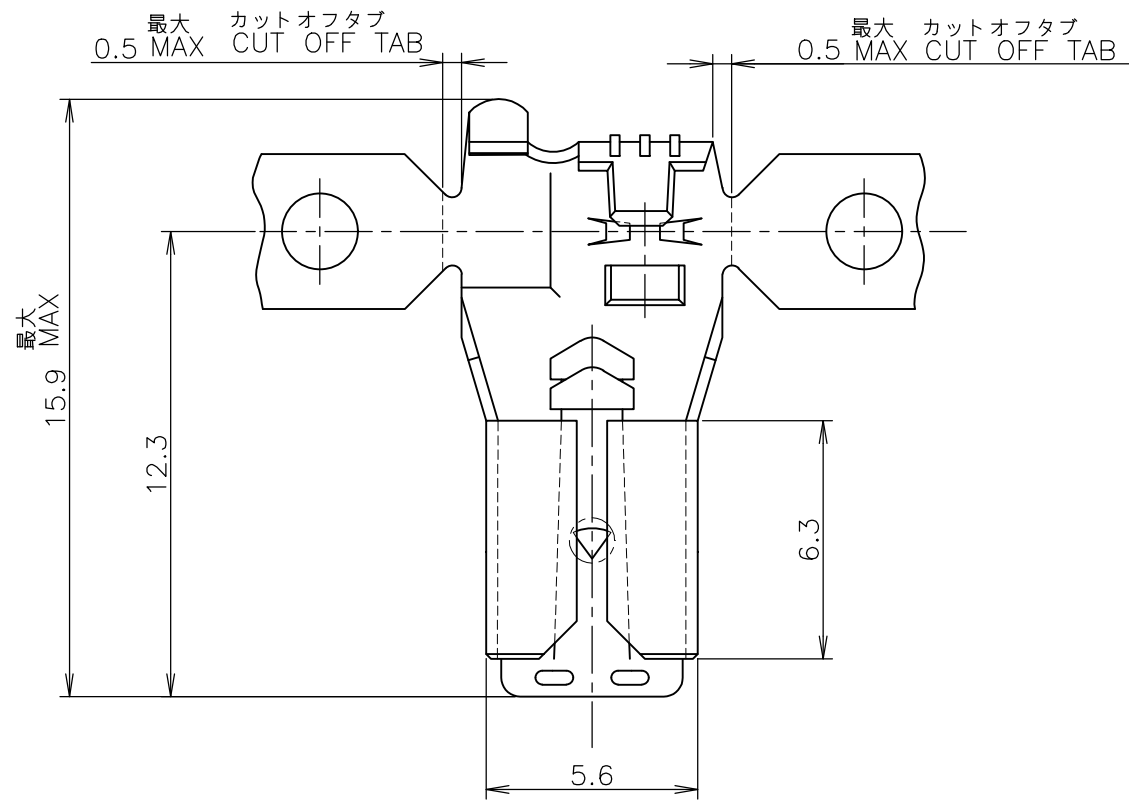


THIS DRAWING IS UNPUBLISHED. RELEASED FOR PUBLICATION DEC ,2001.
 © COPYRIGHT 2001 By - ALL RIGHTS RESERVED.

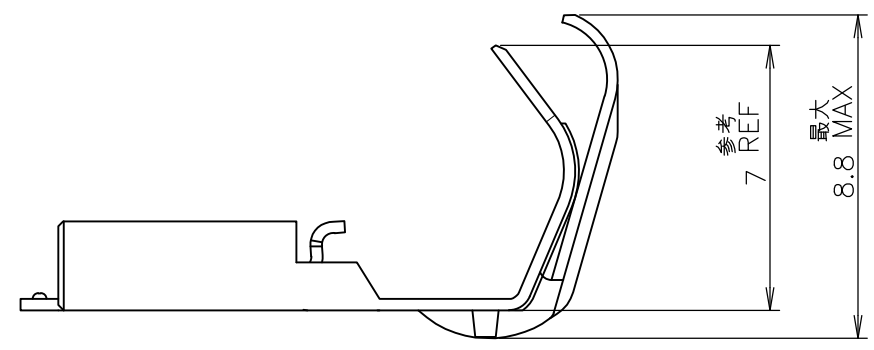
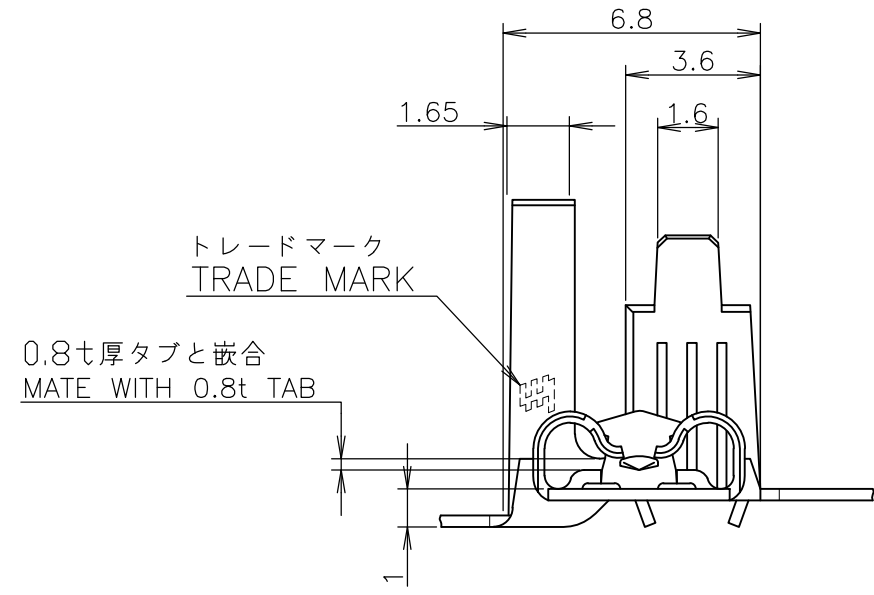
| LOC | DIST | REVISIONS | | | | | |
|-----|------|-----------|-----|---------------------------|-----------|-----|------|
| | | P | LTR | DESCRIPTION | DATE | DWN | APVD |
| J | / | | C3 | REVISED PER ECO-17-017111 | 27NOV2017 | HG | TD |
| | | | C4 | REVISED PER ECR-20-005366 | 16APR2020 | SS | DL |



1 SLEEVE P/N *-174816-* IS APPLICABLE
 BUT ONE TOUCH SLEEVE P/N *-178708-* IS NOT APPLICABLE

1 スリーブ型番 *-174816-* は適用可
 但しワンタッチスリーブ型番 *-178708-* は適用不可

△ 2 OBSOLETE PART



| | | |
|-----|--|---|
| △ 2 | BRASS | -175193-2 |
| | PRE TINNED BRASS 0.3t 錫めっき済み黄銅 0.3t | 175193-1 |
| | MATERIAL 材質 | P/N 型番 |
| | WIRE RANGE 抱合電線断面積 | AWG #22-#16 0.3~1.42 mm ² |
| | INSULATION DIA 被覆外径 | 1.5~4.32 mm ϕ |

GENERAL TOLERANCE
一般公差

10 \geq : ± 0.2
 30 \geq > 10: ± 0.25
 100 \geq > 30: ± 0.3
 ANGLES: $\pm 3^\circ$

| | | | |
|---|--|----------------------------|-----------|
| THIS DRAWING IS A CONTROLLED DOCUMENT. | | DWN T.HATANO | 05DEC2001 |
| DIMENSIONS: 単位: 耗 mm | | CHK M.SHINDO | 05DEC2001 |
| TOLERANCES UNLESS OTHERWISE SPECIFIED: 一般公差 | | APVD M.SHINDO | 05DEC2001 |
| 0 PLC \pm 1 PLC \pm 2 PLC \pm 3 PLC \pm 4 PLC \pm ANGLES \pm | | PRODUCT SPEC 製品規格 | 108-5250 |
| MATERIAL 表参照 材料 SEE TABLE | | APPLICATION SPEC 取付適用規格 | 114-5118 |
| FINISH 仕上 | | WEIGHT | 0.52 |

| | | | | | |
|--|-----------|------------------|---------------|------------------------------------|-----|
| DWN T.HATANO | | 05DEC2001 | | TE Connectivity | |
| CHK M.SHINDO | | 05DEC2001 | | | |
| APVD M.SHINDO | | 05DEC2001 | | NAME 名称 | |
| 187 SERIES FLAG POSITIVE LOCK-EX REC. 0.8 THK TAB | | | | 187シリーズ旗型ポジティブロッカーEXリセプタクル 0.8tタブ用 | |
| SIZE | CAGE CODE | DRAWING NO 番号 | RESTRICTED TO | | |
| A3 | 0 | C-175193 | - | | |
| CUSTOMER DRAWING | | | SCALE 尺度 | SHEET | REV |
| | | | 5:1 | 1 OF 1 | C4 |

X-ON Electronics

Largest Supplier of Electrical and Electronic Components

Click to view similar products for [Automotive Connectors](#) category:

Click to view products by [TE Connectivity](#) manufacturer:

Other Similar products are found below :

[003-018-000](#) [60403001](#) [60993906-B](#) [M902-2131](#) [M902-2161](#) [72.330.1035.1](#) [73.353.4028.0](#) [F119300-B](#) [F166900](#) [F258300-B](#) [F358300-B](#)
[F407400](#) [F444110](#) [F487000](#) [F509500B-B](#) [827153-1](#) [8N1515-32-24P](#) [9-1326729-8](#) [925474-1](#) [928905-1](#) [964562-4](#) [968782-1](#) [GT17SA-8DS-](#)
[HU](#) [98891-1012](#) [98947-1016](#) [12004147](#) [12004475-L](#) [12010290](#) [12010309-B](#) [12015454](#) [12020219-B](#) [12020308](#) [12041318-B](#) [12052225-L](#)
[12052466](#) [12059125](#) [12064869](#) [12004327-B](#) [12010503-B](#) [12015308](#) [12015384](#) [12015909](#) [1-21030-1](#) [12041254](#) [12041318](#) [12047946-B](#)
[12047957](#) [12047957-L](#) [12059473](#) [12066261](#)