

THIS DRAWING IS UNPUBLISHED.

RELEASED FOR PUBLICATION

---

LOC

DIST

REVISIONS

© COPYRIGHT - By Tyco Electronics JAPAN G.K.

ALL RIGHTS RESERVED.

J

-

P

LTR

DESCRIPTION

DATE

DWN

APVD

F3

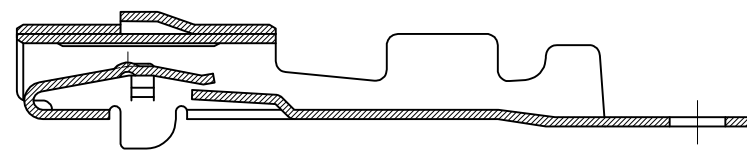
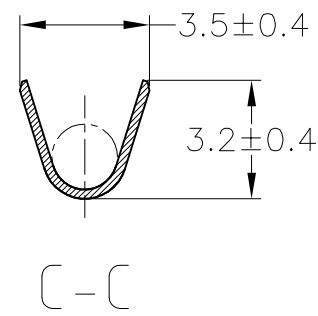
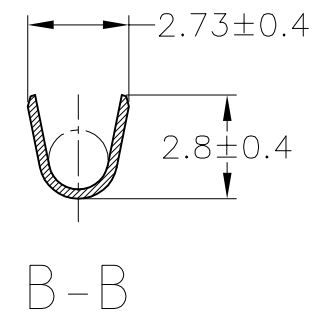
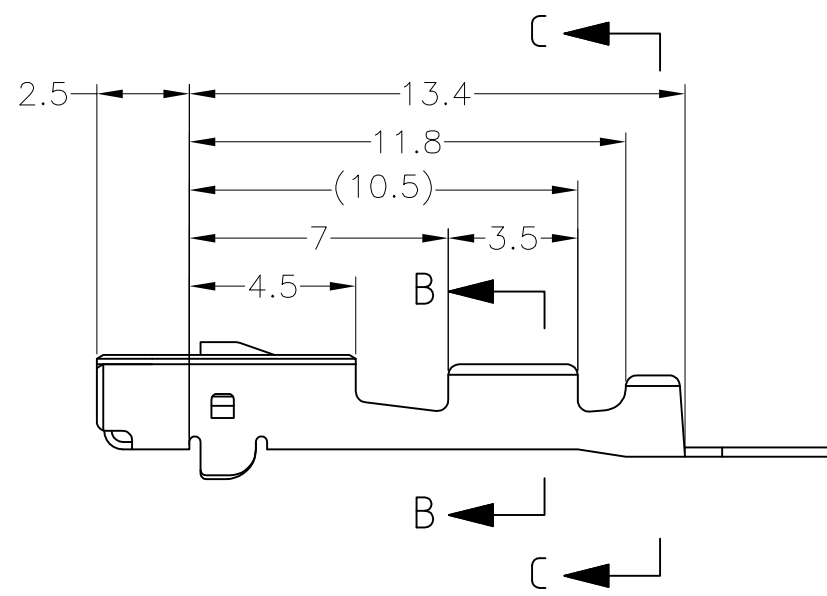
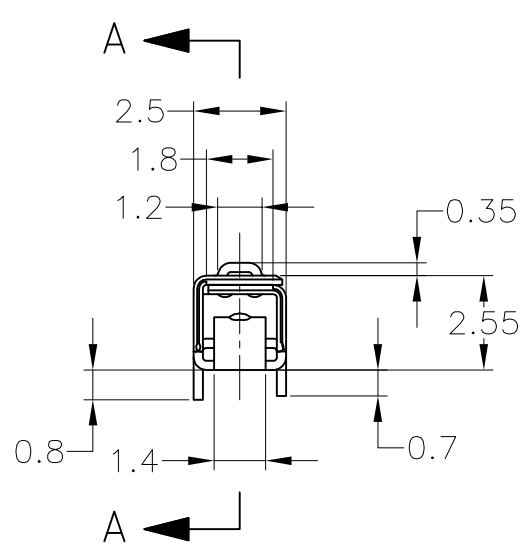
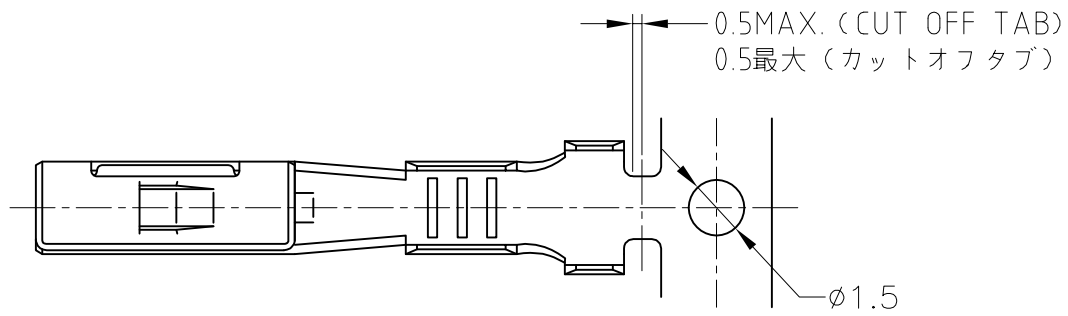
REVISED

ECR-15-009698

26JUN2015

TS

HY



A-A

1. APPLICATION SPEC NO. 114-5160

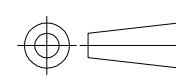
1. 取付適用規格番号 114-5160

FJPI-175269-2	BRASS	-	PRE-TIN	175269-2
FJPI-175269-1	BRASS	179425-1	PRE-TIN	175269-1
PACKING INSTRUCTION NUMBER	MATERIAL	LOOSE PIECE CONTACT PN	FINISH	PART NUMBER

THIS DRAWING IS A CONTROLLED DOCUMENT.

DIMENSIONS: mm

TOLERANCES UNLESS OTHERWISE SPECIFIED:



0 PLC	±	-
1 PLC	±	-
2 PLC	±	-
3 PLC	±	-
4 PLC	±	-
ANGLES	±	±

MATERIAL SEE TABLE

FINISH SEE TABLE

DWN	T. SHINOHARA	05JUL2012
CHK	K. BETSUI	05JUL2012
APVD	K. BETSUI	05JUL2012
PRODUCT SPEC	-	-
APPLICATION SPEC	SEE NOTE	-
WEIGHT	0.33 g	-

**STE** TE Connectivity

NAME: 070II SERIES M RECEPTACLE CONTACT

SIZE	CAGE CODE	DRAWING NO	RESTRICTED TO
A3	00779	C=175269	-

CUSTOMER DRAWING SCALE 5:1 SHEET 1 of 1 REV F3

抱合電線断面積 (WIRE RANGE)	被覆外径 (INSULATION DIA.)
0.56~1.29 mm <sup>2</sup> (AWG#20-#16)	1.8~2.6 mmφ

TOLERANCES UNLESS OTHERWISE SPECIFIED:	
一般公差	
10 ≥	: ±0.2
30 ≥ > 10	: ±0.25
100 ≥ > 30	: ±0.3
ANGLE : ±3°	

## X-ON Electronics

Largest Supplier of Electrical and Electronic Components

*Click to view similar products for [Automotive Connectors](#) category:*

*Click to view products by [TE Connectivity](#) manufacturer:*

Other Similar products are found below :

[003-018-000](#) [60403001](#) [60993906-B](#) [M902-2131](#) [M902-2161](#) [72.330.1035.1](#) [73.353.4028.0](#) [F119300-B](#) [F166900](#) [F258300-B](#) [F358300-B](#)  
[F407400](#) [F444110](#) [F487000](#) [F509500B-B](#) [827153-1](#) [8N1515-32-24P](#) [9-1326729-8](#) [925474-1](#) [928905-1](#) [964562-4](#) [968782-1](#) [GT17SA-8DS-](#)  
[HU](#) [98891-1012](#) [98947-1016](#) [12004147](#) [12004475-L](#) [12010290](#) [12010309-B](#) [12015454](#) [12020219-B](#) [12020308](#) [12041318-B](#) [12052225-L](#)  
[12052466](#) [12059125](#) [12064869](#) [12004327-B](#) [12010503-B](#) [12015308](#) [12015384](#) [12015909](#) [1-21030-1](#) [12041254](#) [12041318](#) [12047946-B](#)  
[12047957](#) [12047957-L](#) [12059473](#) [12066261](#)