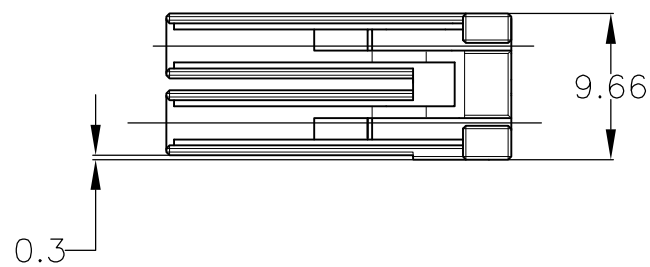


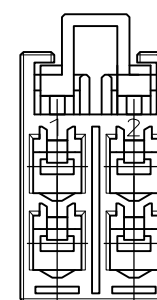
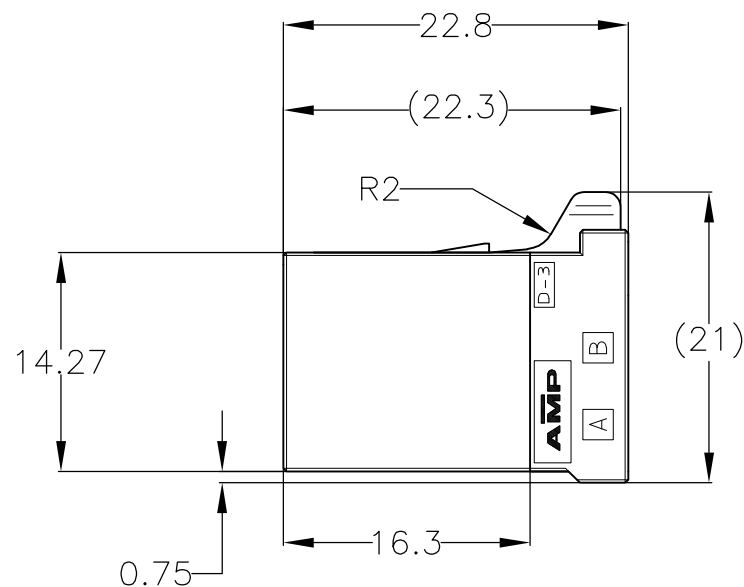
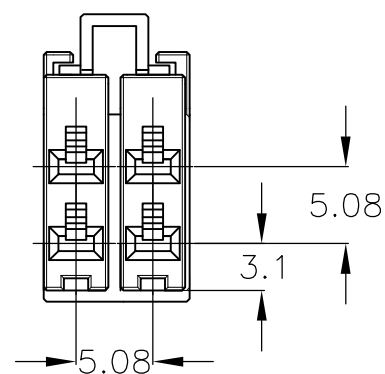
THIS DRAWING IS UNPUBLISHED. RELEASED FOR PUBLICATION
 © COPYRIGHT - By - ALL RIGHTS RESERVED.

| LOC | DIST | REVISIONS | | | | | |
|-----|------|-----------|-----|---------------------------|---------|-----|------|
| J | - | P | LTR | DESCRIPTION | DATE | DWN | APVD |
| | | E1 | | REVISED PER ECO-11-005030 | 11MAR11 | RK | HMR |



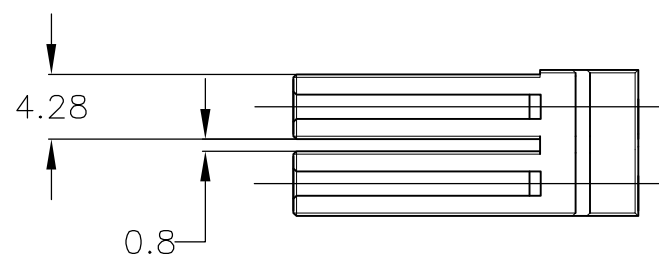
175363-1,-3;AS SHOWN
 △ 1,2,3,4-175363-1;AS SHOWN

1. MATERIAL : GLASS FILED THERMO PLASTIC POLYESTER, COLOR ; BLACK, NATURAL, BLUE, YELLOW, RED
2. CONTACT FOR THIS CONNECTOR : 175194,175195,175196
CONTACT FOR THIS CONNECTOR (L/P) : 175216,175217,175218
3. PRODUCT SPECIFICATION : 108-5349
4. QUALIFICATION TEST REPORT : 501-5013
- △ ITEM WITH DIFFERENT COLOR OF 175363-1 (SEE TABLE)
- △ SPECIAL LOCK SHAPE TYPE

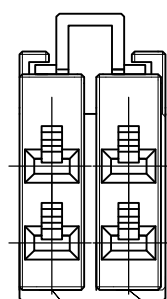


1. 材料 熱可塑性ポリエステル樹脂、色黒、白、青、黄、赤
2. 使用端子:175194,175195,175196
使用端子(L/P):175216,175217,175218
3. 製品規格:108-5349
4. 認定試験報告書:501-5013
- △ 175363-1の色違いアイテム(表参照)
- △ ロック形状違い

175363-1
 △ 1-175363-1
 2-175363-1
 3-175363-1
 4-175363-1
 TYPE A



| | | | |
|----------|---------|------------|-----------|
| KEY LESS | BLACK | 175363-3 | 1 OF 2 |
| X △ | BLACK | 175363-2 | 2 OF 2 |
| X | RED | 4-175363-1 | 1 OF 2 |
| X | YELLOW | 3-175363-1 | 1 OF 2 |
| X | BLUE | 2-175363-1 | 1 OF 2 |
| X | NATURAL | 1-175363-1 | 1 OF 2 |
| X | BLACK | 175363-1 | 1 OF 2 |
| KEY | COLOR | PART NO | SEE SHEET |



KEY LESS

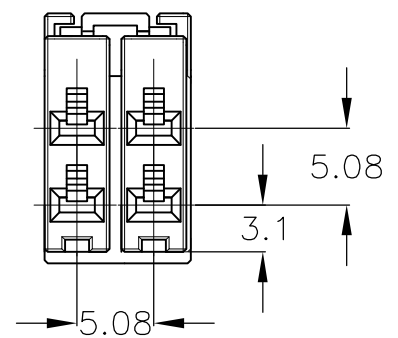
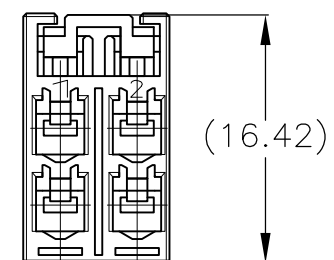
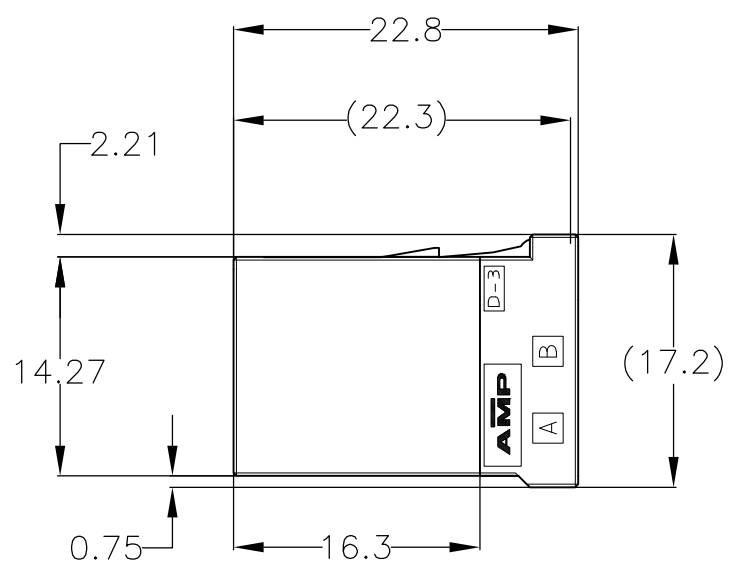
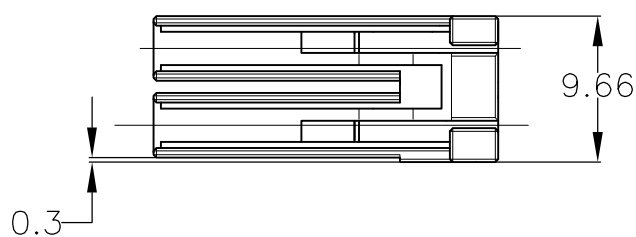
175363-3 ONLY
 TYPE C

| | | | | |
|--|--|-----------------------------------|---|--------------------|
| THIS DRAWING IS A CONTROLLED DOCUMENT. | | DWN T.YONEBAYASHI 18MAR1992 | TE Connectivity | |
| DIMENSIONS: mm | | CHK S.MANABE 06APR1992 | | |
| TOLERANCES UNLESS OTHERWISE SPECIFIED: | | APVD S.MANABE 06APR1992 | NAME DYNAMIC (D-3500) REC HSG 4POS | |
| 0 PLC ± 0.3 1 PLC ± 0.3 2 PLC ± 0.3 3 PLC ± - 4 PLC ± - ANGLES ± 3° | | PRODUCT SPEC 108-5349 | SIZE A3 | |
| MATERIAL - | | FINISH - | APPLICATION SPEC 114-5148 | CAGE CODE 00779 |
| | | WEIGHT - | DRAWING NO C-175363 | RESTRICTED TO - |
| CUSTOMER DRAWING | | | SCALE 2:1 | SHEET 1 OF 2 |
| | | | REV E1 | |

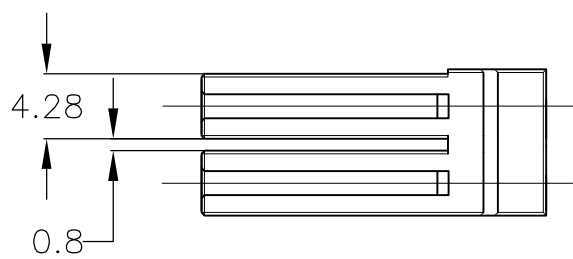
THIS DRAWING IS UNPUBLISHED. RELEASED FOR PUBLICATION
 © COPYRIGHT - By - ALL RIGHTS RESERVED.

| LOC | DIST | REVISIONS | | | |
|-----|------|-------------|------|-----|------|
| P | LTR | DESCRIPTION | DATE | DWN | APVD |
| J | - | SEE SHEET 1 | - | - | - |

△175363-2;AS SHOWN



△175363-2 ONLY
TYPE B



- 1. MATERIAL : GLASS FILED THERMO PLASTIC POLYESTER, COLOR ; BLACK
- 2. CONTACT FOR THIS CONNECTOR : 175194,175195,175196
CONTACT FOR THIS CONNECTOR (L/P) : 175216,175217,175218
- 3. PRODUCT SPECIFICATION : 108-5349
- 4. QUALIFICATION TEST REPORT : 501-5013
- △ ITEM WITH DIFFERENT COLOR OF 175363-1 (SEE TABLE)
- △ SPECIAL LOCK SHAPE TYPE

- 1. 材料 熱可塑性ポリエステル樹脂、色黒
- 2. 使用端子:175194,175195,175196
使用端子(L/P):175216,175217,175218
- 3. 製品規格:108-5349
- 4. 認定試験報告書:501-5013
- △ 175363-1の色違いアイテム(表参照)
- △ ロック形状違い

| | | | | | |
|--|--|-----------------------------------|--------------------------|------------------------|--------------------|
| THIS DRAWING IS A CONTROLLED DOCUMENT. | | DWN T.YONEBAYASHI 18MAR1992 | TE Connectivity | | |
| DIMENSIONS: mm | | CHK S.MANABE 06APR1992 | | | |
| TOLERANCES UNLESS OTHERWISE SPECIFIED: | | APVD S.MANABE 06APR1992 | PRODUCT SPEC 108-5349 | | |
| 0 PLC ± - | | APPLICATION SPEC 114-5148 | | | |
| 1 PLC ± - | | WEIGHT - | | SIZE A3 | CAGE CODE 00779 |
| 2 PLC ± - | | CUSTOMER DRAWING | | DRAWING NO C-175363 | RESTRICTED TO - |
| 3 PLC ± - | | SCALE 2:1 | | SHEET 2 OF 2 | REV E1 |
| 4 PLC ± - | | | | | |
| ANGLES ± - | | | | | |
| FINISH - | | | | | |

X-ON Electronics

Largest Supplier of Electrical and Electronic Components

Click to view similar products for [Headers & Wire Housings](#) category:

Click to view products by [TE Connectivity](#) manufacturer:

Other Similar products are found below :

[892-18-020-10-001101](#) [58102-G61-06LF](#) [582553-1](#) [0009485154](#) [009176003701906](#) [0050291907](#) [LY20-4P-DT1-P1E-BR](#) [02.125.8002.8](#)
[609-3404](#) [61062-3](#) [61082-181009](#) [622-3653LF](#) [63453-116](#) [636-1030](#) [636-1427](#) [636-3427](#) [636-4007](#) [641938-9](#) [641991-4](#) [644827-2](#) [65817-010LF](#) [65817-015LF](#) [65863-015LF](#) [66207-023LF](#) [67095-007LF](#) [67601157](#) [68645-018](#) [68648-049](#) [70.362.1628.0](#) [70-4210](#) [70-4226B](#) [70-4853B](#) [707-5020](#) [707-5028](#) [71.350.2428.0](#) [71918-208LF](#) [71961-016LF](#) [733-134](#) [733-162](#) [754199-000](#) [760-3052](#) [787-8014-00](#) [79531-3000](#)
[FCN-360C032-B](#) [FCN-367T-T012/H](#) [FCN-723D010/2](#) [80.063.4001.1](#) [800-90-001-10-001000](#) [800-90-010-10-002000](#) [801-43-002-10-013000](#)