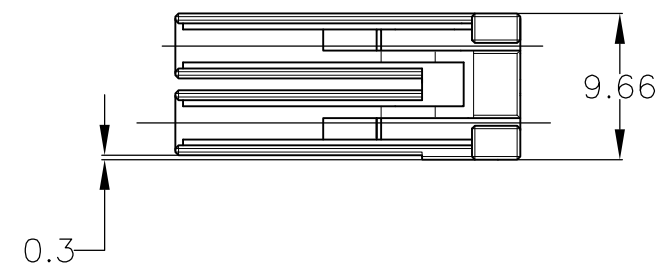


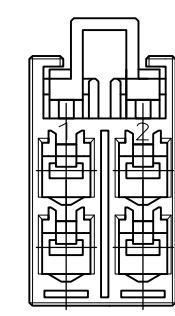
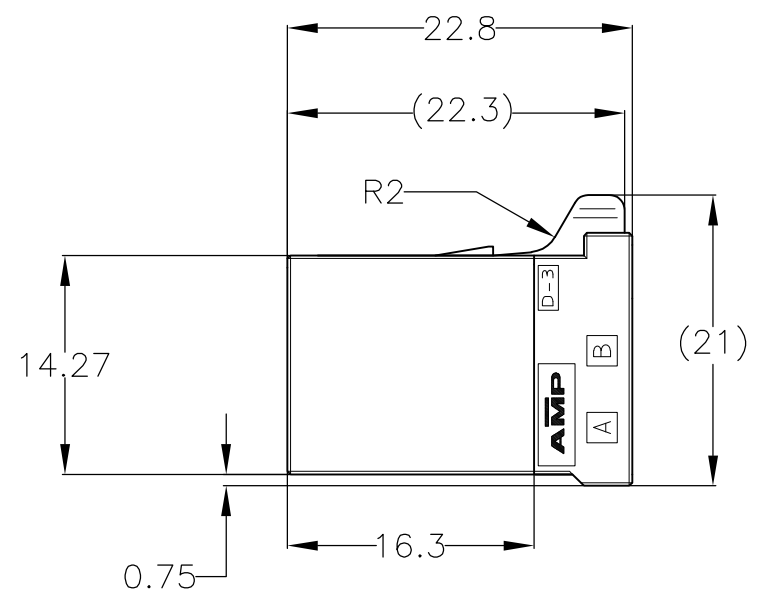
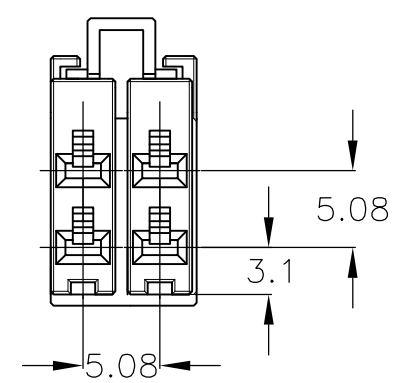
THIS DRAWING IS UNPUBLISHED. RELEASED FOR PUBLICATION  
 © COPYRIGHT - By - ALL RIGHTS RESERVED.

LOC	DIST	REVISIONS					
J	-	P	LTR	DESCRIPTION	DATE	DWN	APVD
		E1		REVISED PER ECO-11-005030	11MAR11	RK	HMR



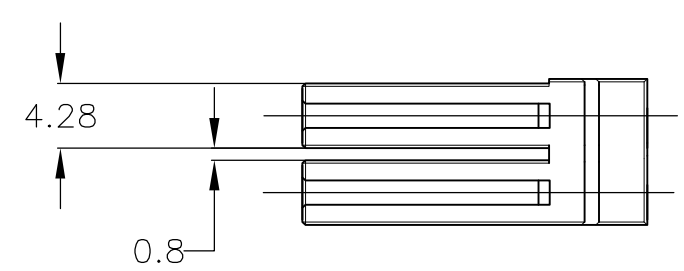
175363-1,-3;AS SHOWN  
 △ 1,2,3,4-175363-1;AS SHOWN

1. MATERIAL : GLASS FILED THERMO PLASTIC POLYESTER, COLOR ; BLACK, NATURAL, BLUE, YELLOW, RED
2. CONTACT FOR THIS CONNECTOR : 175194,175195,175196  
CONTACT FOR THIS CONNECTOR (L/P) : 175216,175217,175218
3. PRODUCT SPECIFICATION : 108-5349
4. QUALIFICATION TEST REPORT : 501-5013
- △ ITEM WITH DIFFERENT COLOR OF 175363-1 (SEE TABLE)
- △ SPECIAL LOCK SHAPE TYPE

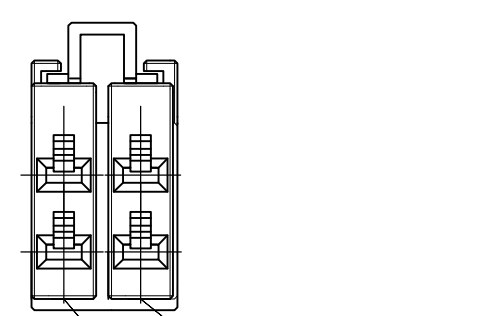


1. 材料 熱可塑性ポリエステル樹脂、色黒、白、青、黄、赤
2. 使用端子:175194,175195,175196  
使用端子(L/P):175216,175217,175218
3. 製品規格:108-5349
4. 認定試験報告書:501-5013
- △ 175363-1の色違いアイテム(表参照)
- △ ロック形状違い

175363-1  
 △ 1-175363-1  
 2-175363-1  
 3-175363-1  
 4-175363-1  
 TYPE A



KEY LESS	BLACK	175363-3	1 OF 2
X △	BLACK	175363-2	2 OF 2
X	RED	4-175363-1	1 OF 2
X	YELLOW	3-175363-1	1 OF 2
X	BLUE	2-175363-1	1 OF 2
X	NATURAL	1-175363-1	1 OF 2
X	BLACK	175363-1	1 OF 2
KEY	COLOR	PART NO	SEE SHEET



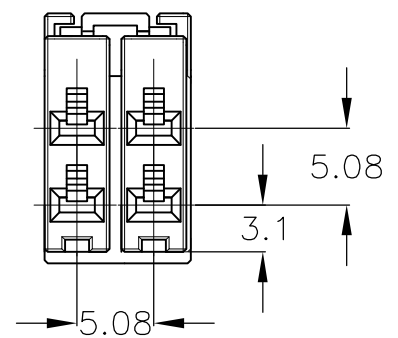
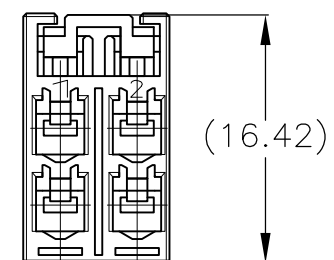
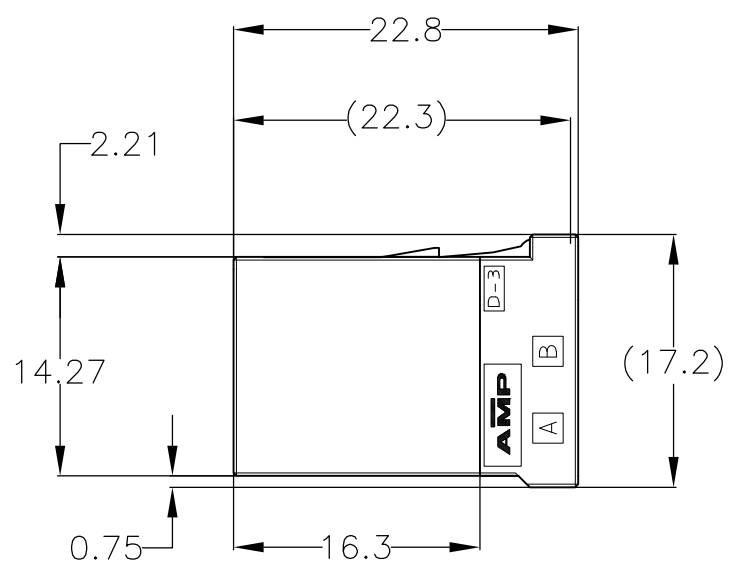
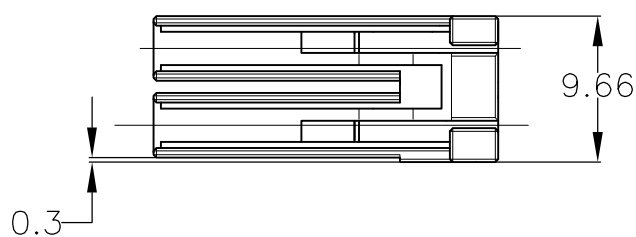
175363-3 ONLY  
 TYPE C

THIS DRAWING IS A CONTROLLED DOCUMENT.		DWN T.YONEBAYASHI 18MAR1992	TE Connectivity	
DIMENSIONS: mm		CHK S.MANABE 06APR1992		
TOLERANCES UNLESS OTHERWISE SPECIFIED:		APVD S.MANABE 06APR1992	NAME DYNAMIC (D-3500)	
0 PLC ± 0.3 1 PLC ± 0.3 2 PLC ± 0.3 3 PLC ± - 4 PLC ± - ANGLES ± 3°		PRODUCT SPEC 108-5349	REC HSG 4POS	
MATERIAL -		FINISH -	APPLICATION SPEC 114-5148	RESTRICTED TO -
		WEIGHT -	SIZE A3	CAGE CODE 00779
		CUSTOMER DRAWING	DRAWING NO C-175363	SCALE 2:1
			SHEET 1 OF 2	REV E1

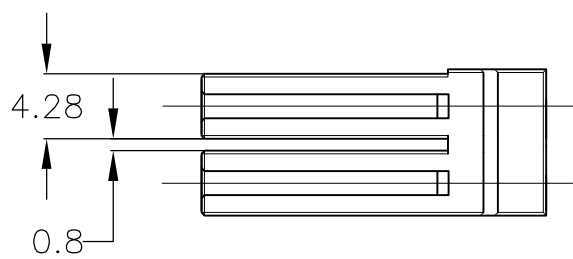
THIS DRAWING IS UNPUBLISHED. RELEASED FOR PUBLICATION  
 © COPYRIGHT - By - ALL RIGHTS RESERVED.

LOC	DIST	REVISIONS			
P	LTR	DESCRIPTION	DATE	DWN	APVD
J	-	SEE SHEET 1	-	-	-

△175363-2;AS SHOWN



△175363-2 ONLY  
TYPE B



- 1. MATERIAL : GLASS FILED THERMO PLASTIC POLYESTER, COLOR ; BLACK
- 2. CONTACT FOR THIS CONNECTOR : 175194,175195,175196  
CONTACT FOR THIS CONNECTOR (L/P) : 175216,175217,175218
- 3. PRODUCT SPECIFICATION : 108-5349
- 4. QUALIFICATION TEST REPORT : 501-5013
- △ ITEM WITH DIFFERENT COLOR OF 175363-1 (SEE TABLE)
- △ SPECIAL LOCK SHAPE TYPE

- 1. 材料 熱可塑性ポリエステル樹脂、色黒
- 2. 使用端子:175194,175195,175196  
使用端子(L/P):175216,175217,175218
- 3. 製品規格:108-5349
- 4. 認定試験報告書:501-5013
- △ 175363-1の色違いアイテム(表参照)
- △ ロック形状違い

THIS DRAWING IS A CONTROLLED DOCUMENT.		DWN T.YONEBAYASHI 18MAR1992	TE Connectivity		
DIMENSIONS: mm		CHK S.MANABE 06APR1992			
TOLERANCES UNLESS OTHERWISE SPECIFIED:		APVD S.MANABE 06APR1992	PRODUCT SPEC 108-5349		
0 PLC ± -		APPLICATION SPEC 114-5148			
1 PLC ± -		WEIGHT -			
2 PLC ± -		SIZE A3	CAGE CODE 00779	DRAWING NO C-175363	RESTRICTED TO -
3 PLC ± -		CUSTOMER DRAWING			
4 PLC ± -		SCALE 2:1		SHEET 2 OF 2	REV E1
ANGLES ± -					
MATERIAL -					
FINISH -					

## X-ON Electronics

Largest Supplier of Electrical and Electronic Components

*Click to view similar products for [Headers & Wire Housings](#) category:*

*Click to view products by [TE Connectivity](#) manufacturer:*

Other Similar products are found below :

[892-18-020-10-001101](#) [58102-G61-06LF](#) [582553-1](#) [0009485154](#) [009176003701906](#) [0050291907](#) [LY20-4P-DT1-P1E-BR](#) [02.125.8002.8](#)  
[609-3404](#) [61062-3](#) [61082-181009](#) [622-3653LF](#) [63453-116](#) [636-1030](#) [636-1427](#) [636-3427](#) [636-4007](#) [641938-9](#) [641991-4](#) [644827-2](#) [65817-010LF](#) [65817-015LF](#) [65863-015LF](#) [66207-023LF](#) [67095-007LF](#) [67601157](#) [68645-018](#) [68648-049](#) [70.362.1628.0](#) [70-4210](#) [70-4226B](#) [70-4853B](#) [707-5020](#) [707-5028](#) [71.350.2428.0](#) [71918-208LF](#) [71961-016LF](#) [733-134](#) [733-162](#) [754199-000](#) [760-3052](#) [787-8014-00](#) [79531-3000](#)  
[FCN-360C032-B](#) [FCN-367T-T012/H](#) [FCN-723D010/2](#) [80.063.4001.1](#) [800-90-001-10-001000](#) [800-90-010-10-002000](#) [801-43-002-10-013000](#)