

4

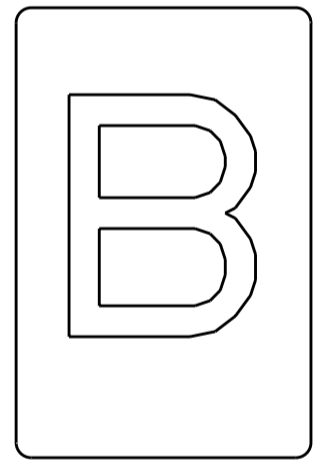
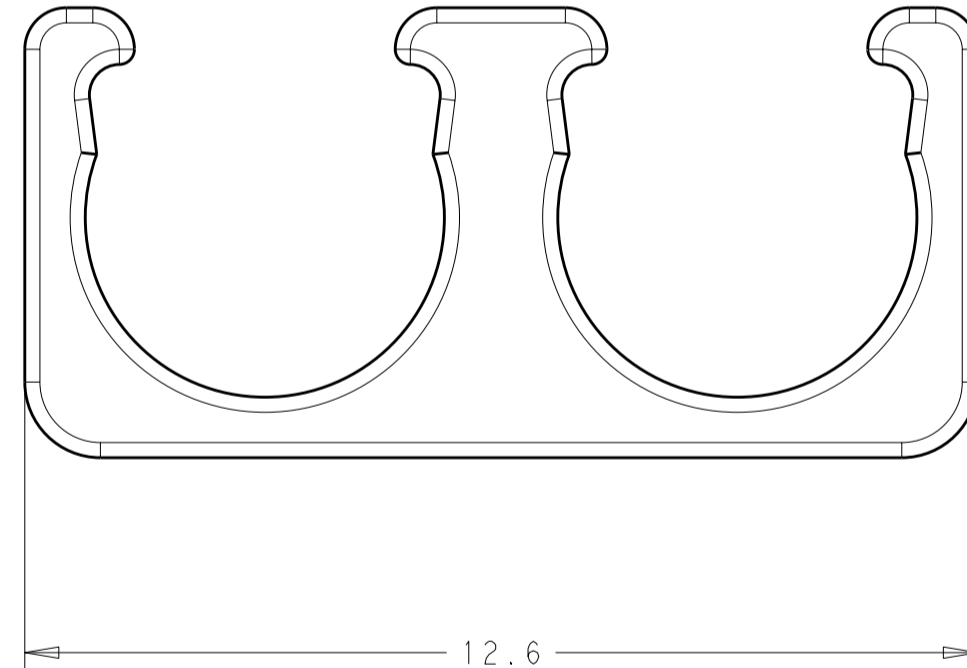
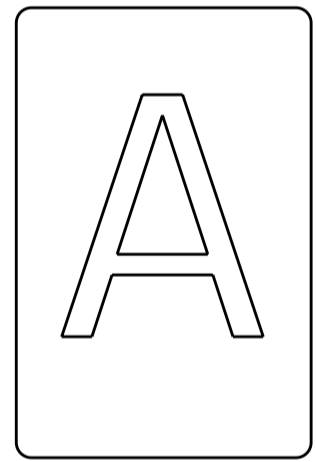
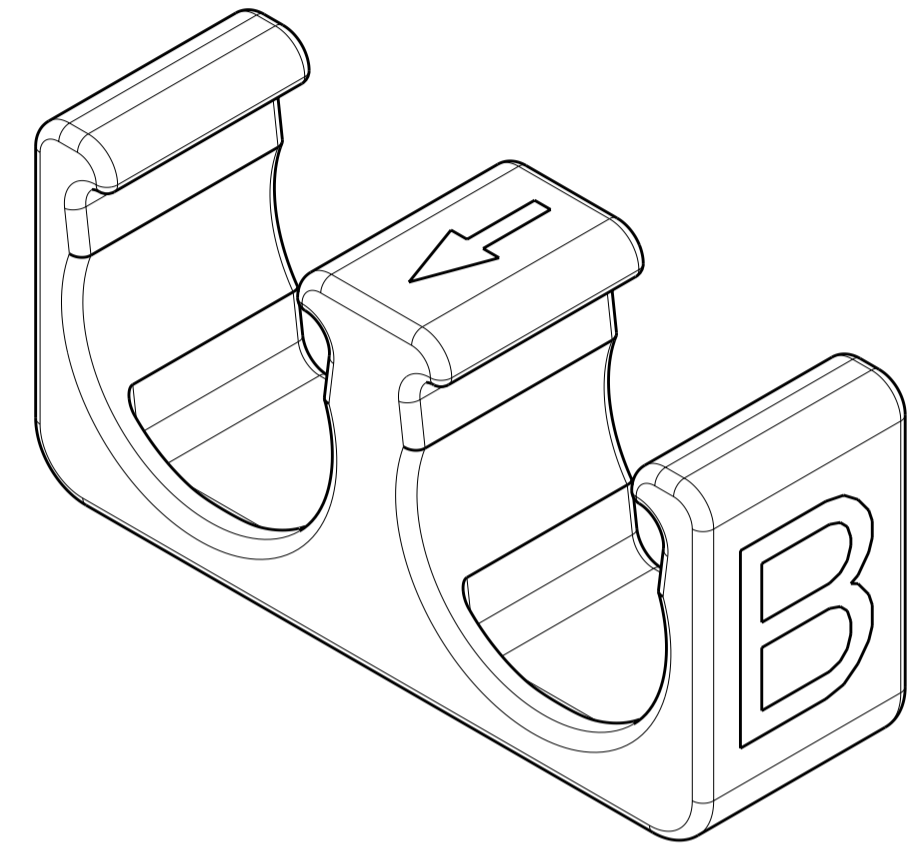
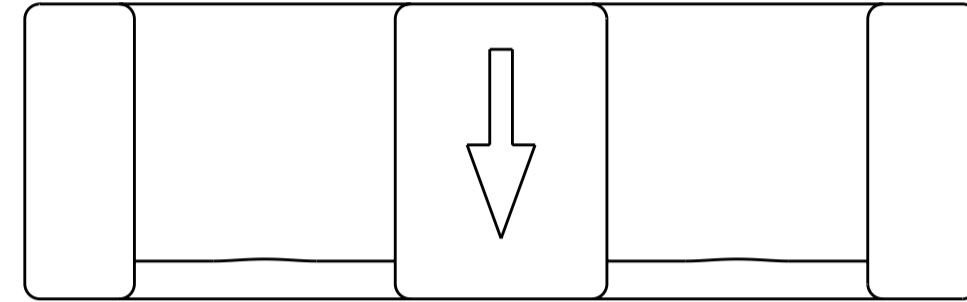
3

2

1

THIS DRAWING IS UNPUBLISHED. RELEASED FOR PUBLICATION 20
 © COPYRIGHT 20 BY TYCO ELECTRONICS CORPORATION. ALL RIGHTS RESERVED.

| LOC | DIST | REVISIONS | | | |
|-----|------|-------------|--------------------------|-----------|---------|
| P | LTR | DESCRIPTION | DATE | DWN | APVD |
| CE | 00 | A | REL PER ECO-07-007418 | 28MAR2007 | DHR DHR |
| | | B | REVISE PER ECR-08-025775 | 24OCT2008 | BB CB |
| | | C | REVISE PER ECR 09-021005 | 09OCT2009 | DF SB |
| | | D | REVISE PER ECR 09-021005 | 12OCT2009 | DLG CB |



| | | |
|-------|-------|---|
| △4 | BEIGE | 1754371-5 |
| △4 | BLUE | 1754371-4 |
| △1 △4 | BLACK | △3 1754371-3 △2 1754371-2 1754371-1 |
| COLOR | | PART NO |

- △1 MATERIAL: PC BLEND, UL 94 V-0 RATED AT QUALIFYING THICKNESS, SEE TABLE FOR COLORS.
- △2 BULK PACKAGED 6 PC PER BAG.
- △3 BULK PACKAGED 72 PC PER BAG.
- △4 MATERIAL: PEI/PCE BLEND, UL 94 V-0 RATED AT QUALIFYING THICKNESS, SEE TABLE FOR COLORS.

| | | | |
|--|---|---|---|
| <small>THIS DRAWING IS A CONTROLLED DOCUMENT FOR TYCO ELECTRONICS CORPORATION. IT IS SUBJECT TO CHANGE AND THE CONTROLLING ENGINEERING ORGANIZATION SHOULD BE CONTACTED FOR THE LATEST REVISION.</small> | | DWN <u>D. ERDMAN</u> 24FEB2004 CHK <u>M. GURRERI</u> 24FEB2004 APVD <u>S. BUCHTER</u> 24FEB2004 | Tyco Electronics Harrisburg, PA 17105-3608 |
| DIMENSIONS: mm | TOLERANCES UNLESS OTHERWISE SPECIFIED: 0 PLC ± 1 PLC ±0.2 2 PLC ±0.2 3 PLC ± 4 PLC ± ANGLES ± FINISH | PRODUCT SPEC APPLICATION SPEC WEIGHT | NAME CLIP, DUPLEX, LightCrimp Plus LC |
| MATERIAL △1 △4 - | CUSTOMER DRAWING | SIZE A2 | CAGE CODE 00779 |
| | | DRAWING NO 1754371 | RESTRICTED TO - |
| | | SCALE 10:1 | SHEET 1 OF 1 |
| | | | REV D |

X-ON Electronics

Largest Supplier of Electrical and Electronic Components

Click to view similar products for [Fibre Optic Connectors](#) category:

Click to view products by [TE Connectivity](#) manufacturer:

Other Similar products are found below :

[0004700001](#) [6100-R](#) [6313](#) [F709034706](#) [F709722200](#) [F709730000](#) [F718183204](#) [F727403500](#) [F727752800](#) [8119](#) [9440F20-27S-190](#) [944-120-6001](#) [9441F10SL-3S](#) [9444W28-21S](#) [9444W36-10S](#) [9446F10SL-4S](#) [9446W20-16S](#) [953-101-5310-P](#) [954-101-57202B](#) [A0270169](#) [12-9122](#) [12-5702](#) [AX101713](#) [AX102420](#) [AX103923](#) [AX104024](#) [AX104193](#) [AX104230](#) [AX104498](#) [AX104562](#) [AX105203-B25](#) [AX105205-S1](#) [EHSC2M](#) [181-011-126](#) [181-011-S](#) [181-057-126](#) [HRFC-R2\(40\)](#) [NKSOPBUY](#) [20500002116](#) [2064996-1](#) [20800001065](#) [2170](#) [9132](#) [2612](#) [2620](#) [9291](#) [9440F16-10S](#) [9440F20-18S](#) [9442W14S-10P](#) [9446F16-10S-190](#)