

4

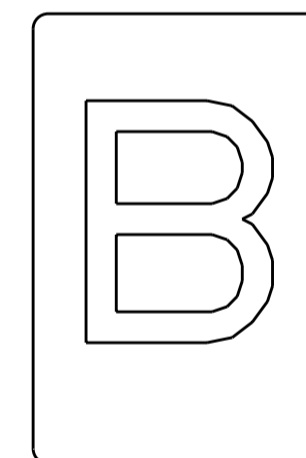
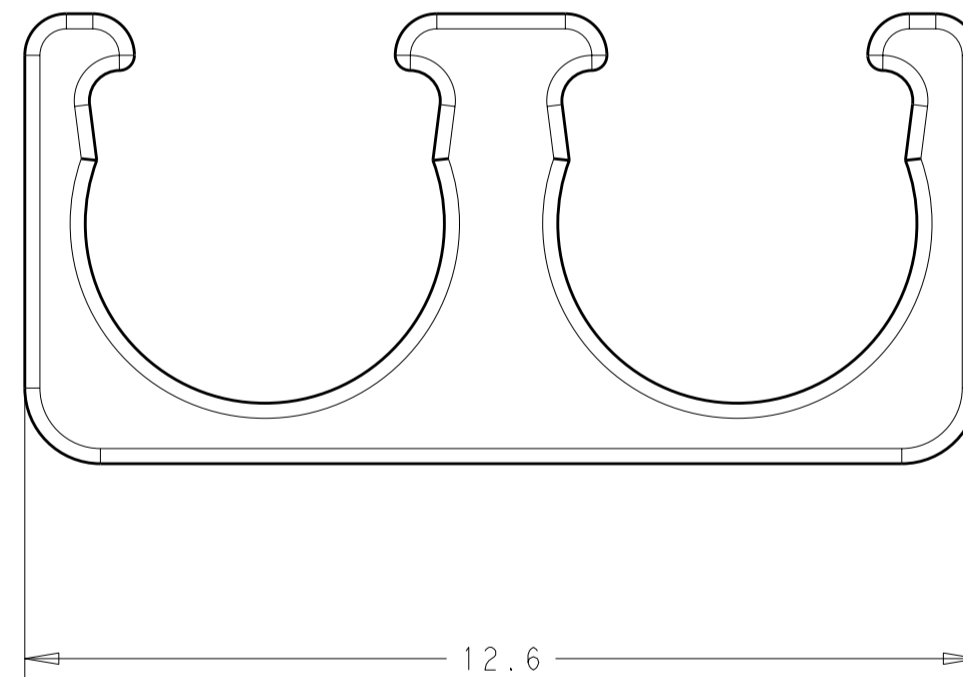
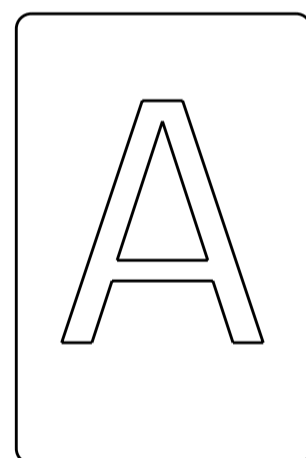
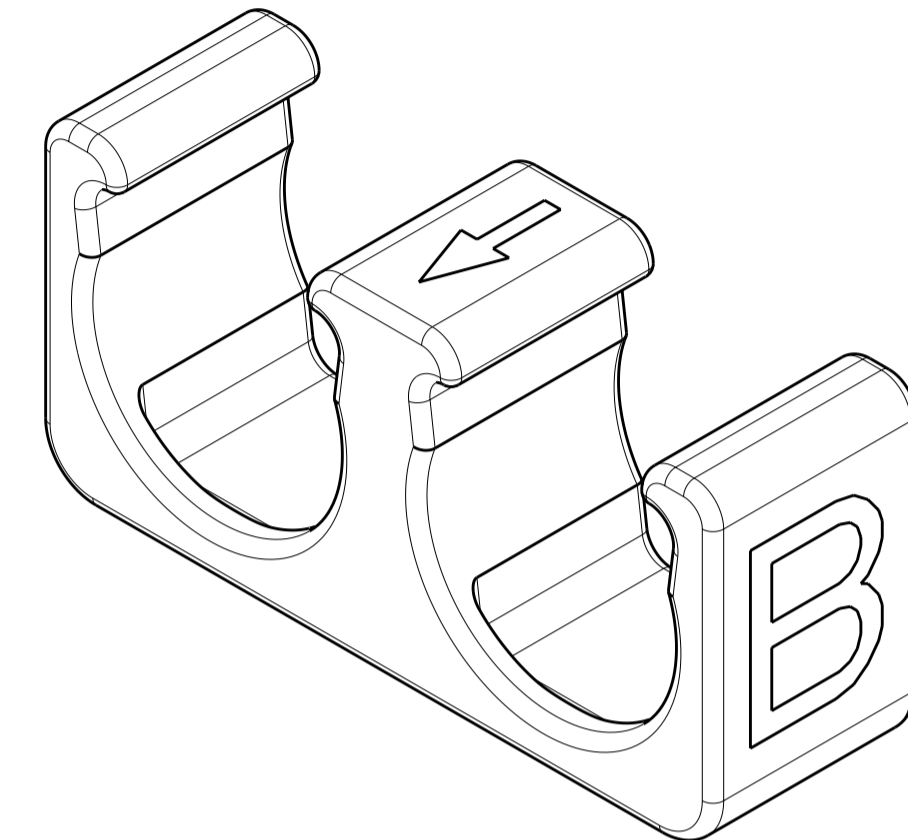
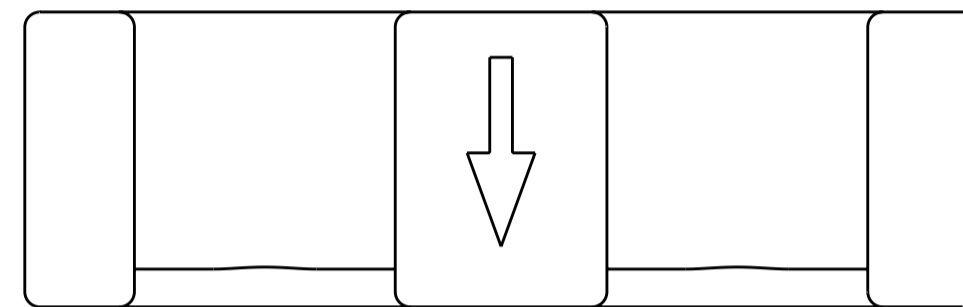
3

2

1

THIS DRAWING IS UNPUBLISHED. RELEASED FOR PUBLICATION 20
 © COPYRIGHT 20 BY TYCO ELECTRONICS CORPORATION. ALL RIGHTS RESERVED.

LOC	DIST	REVISIONS			
P	LTR	DESCRIPTION	DATE	DWN	APVD
CE	00	A	REL PER ECO-07-007418	28MAR2007	DHR DHR
		B	REVISE PER ECR-08-025775	24OCT2008	BB CB
		C	REVISE PER ECR 09-021005	09OCT2009	DF SB
		D	REVISE PER ECR 09-021005	12OCT2009	DLG CB



△4	BEIGE	1754371-5
△4	BLUE	1754371-4
△1 △4	BLACK	△3 1754371-3 △2 1754371-2 1754371-1
COLOR		PART NO

△1 MATERIAL: PC BLEND, UL 94 V-0 RATED AT QUALIFYING THICKNESS, SEE TABLE FOR COLORS.

△2 BULK PACKAGED 6 PC PER BAG.

△3 BULK PACKAGED 72 PC PER BAG.

△4 MATERIAL: PEI/PCE BLEND, UL 94 V-0 RATED AT QUALIFYING THICKNESS, SEE TABLE FOR COLORS.

DIMENSIONS:		TOLERANCES UNLESS OTHERWISE SPECIFIED:		DWN		Tyco Electronics	
mm		0 PLC	±	D. ERDMAN	24FEB2004	Tyco Electronics Harrisburg, PA 17105-3608	
		1 PLC	±0.2	CHK	M. GURRERI	NAME	
		2 PLC	±0.2	APVD	S. BUCHTER	CLIP, DUPLEX, LightCrimp Plus LC	
		3 PLC	±	PRODUCT SPEC		SIZE	CAGE CODE
		4 PLC	±	APPLICATION SPEC		A2	00779
		ANGLES	±	WEIGHT		DRAWING NO	1754371
		FINISH				RESTRICTED TO	
						SCALE	10:1
						SHEET	1 OF 1
						REV	D

X-ON Electronics

Largest Supplier of Electrical and Electronic Components

Click to view similar products for [Fibre Optic Connectors](#) category:

Click to view products by [TE Connectivity](#) manufacturer:

Other Similar products are found below :

[0004700001](#) [6100-R](#) [6313](#) [F709034706](#) [F709722200](#) [F709730000](#) [F718183204](#) [F727403500](#) [F727752800](#) [8119](#) [9440F20-27S-190](#) [944-120-6001](#) [9441F10SL-3S](#) [9444W28-21S](#) [9444W36-10S](#) [9446F10SL-4S](#) [9446W20-16S](#) [953-101-5310-P](#) [954-101-57202B](#) [A0270169](#) [12-9122](#) [12-5702](#) [AX101713](#) [AX102420](#) [AX103923](#) [AX104024](#) [AX104193](#) [AX104230](#) [AX104498](#) [AX104562](#) [AX105203-B25](#) [AX105205-S1](#) [EHSC2M](#) [181-011-126](#) [181-011-S](#) [181-057-126](#) [HRFC-R2\(40\)](#) [NKSOPBUY](#) [20500002116](#) [2064996-1](#) [20800001065](#) [2170](#) [9132](#) [2612](#) [2620](#) [9291](#) [9440F16-10S](#) [9440F20-18S](#) [9442W14S-10P](#) [9446F16-10S-190](#)