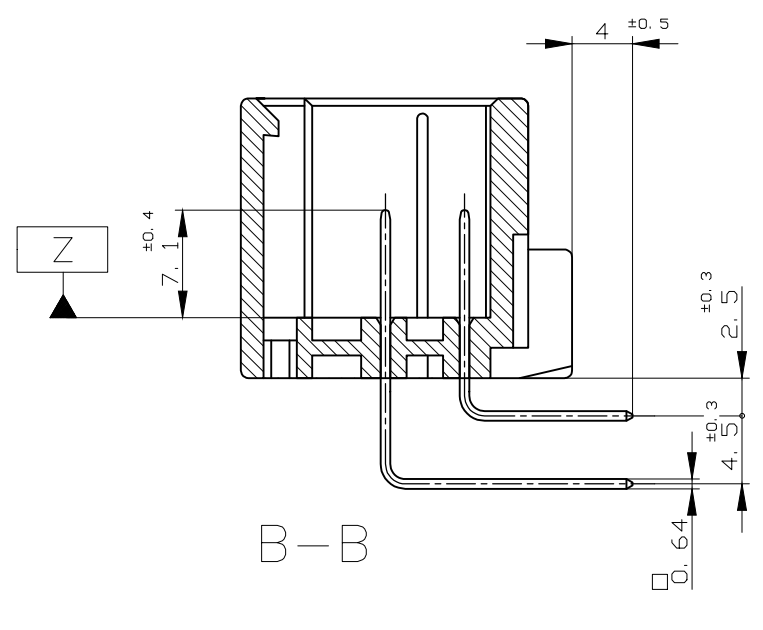
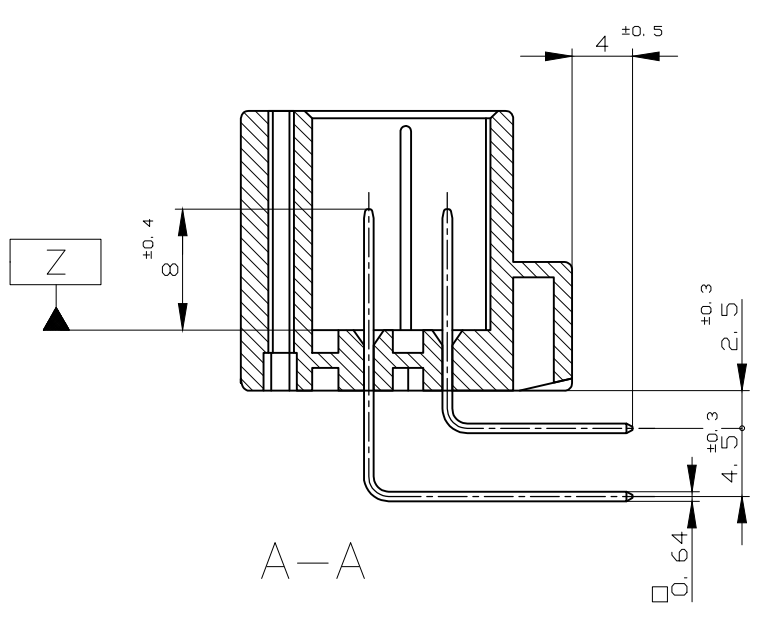
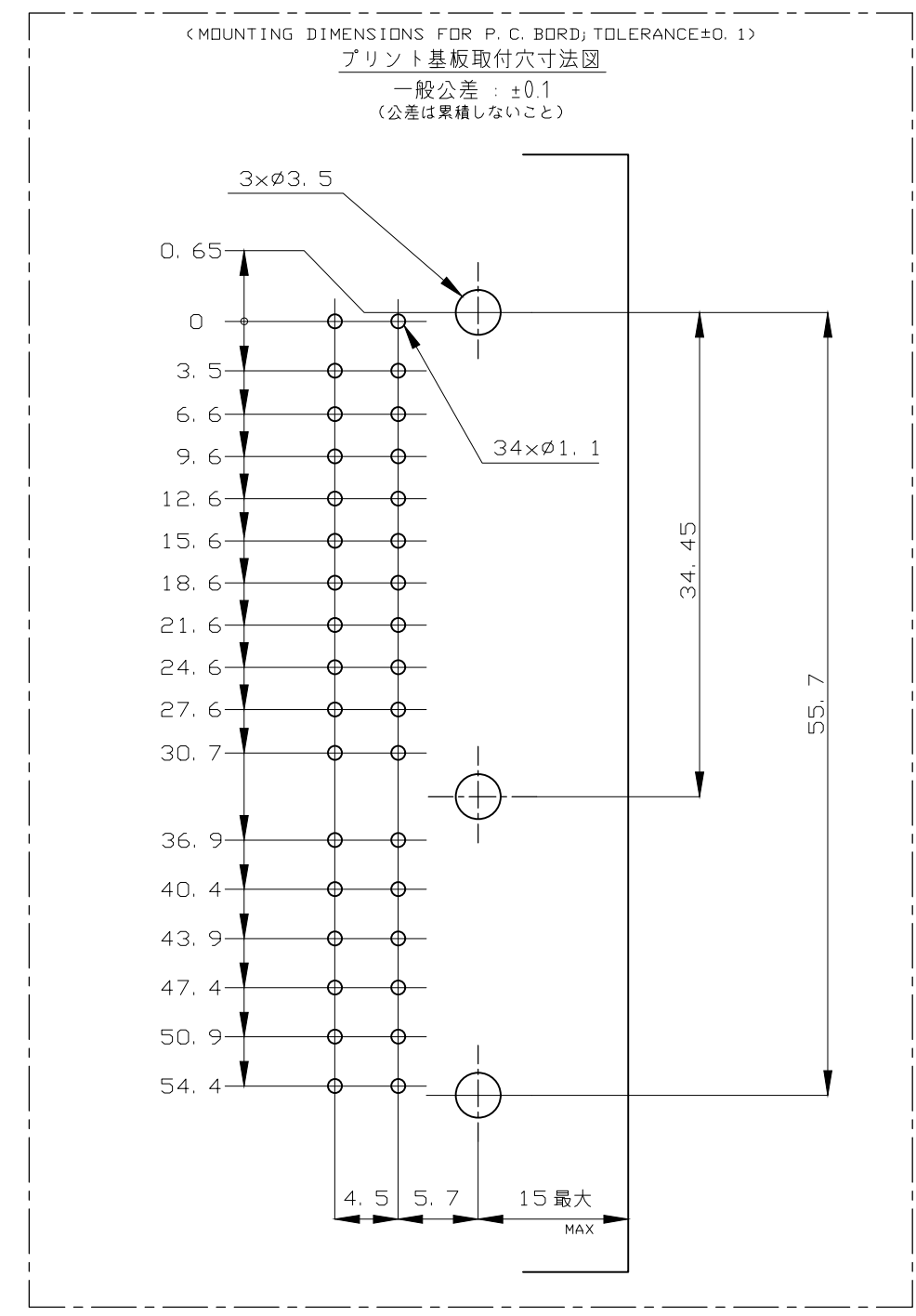
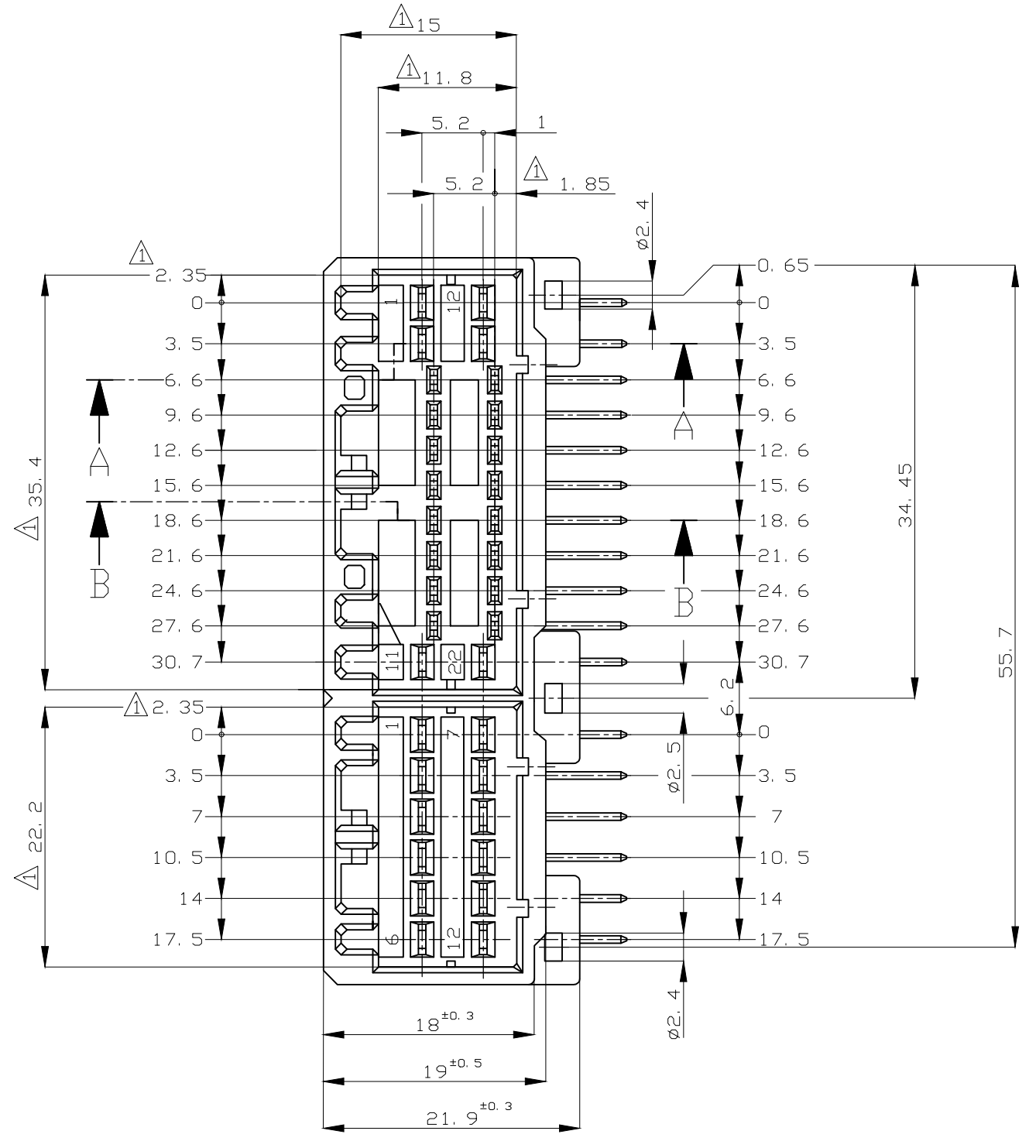
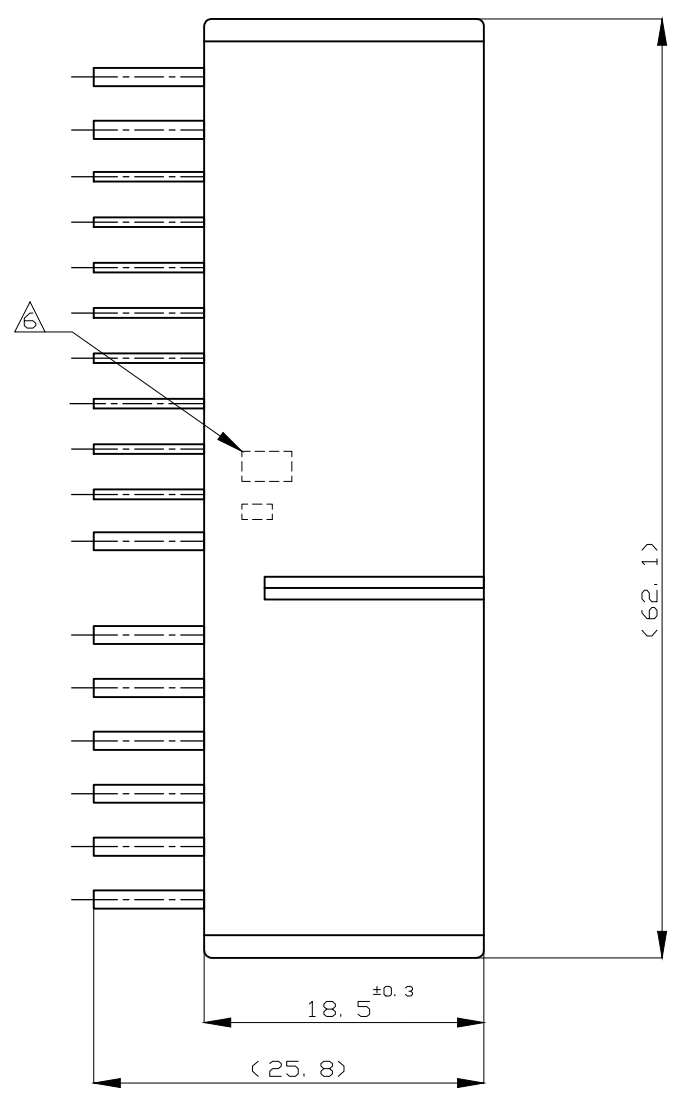
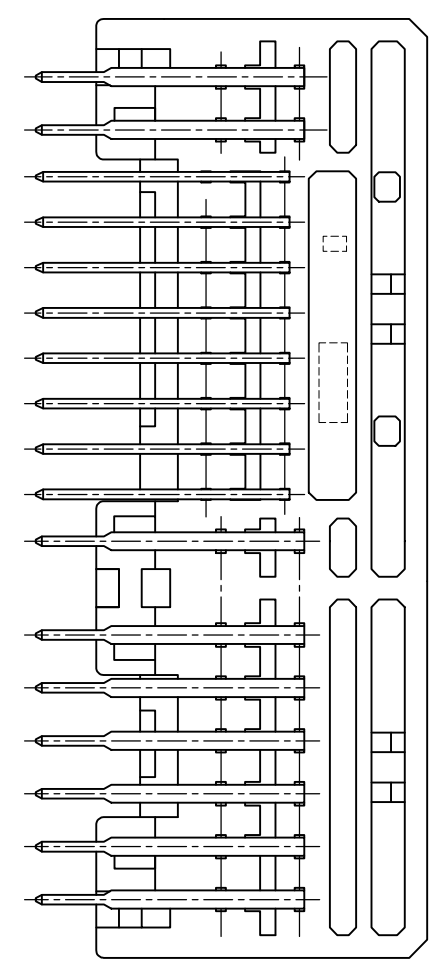
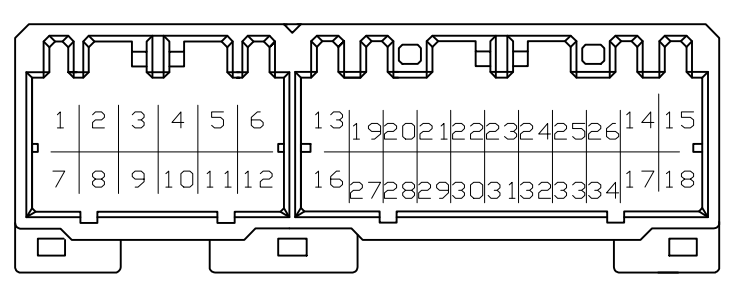


REVISIONS					
REV	DATE	DESCRIPTION	BY	CHKD	APPROV
P11	12NOV2020	OBSOLETE 3-175444-6 ECR-20-007046	PSJ	TM	



- 注記
- △ Z 面から2mmの範囲で測定
  - 嵌合相手ハウジング型 174515, 175442, 917989, 917978
  - 推奨取付ねじ: JIS B1115, B1122 ツッピンねじ, なべ2種  
呼び径3, 長さ6mm以下 (挿付トルク: 0.4N-m以下)
  - 適用製品規格番号: 108-5280, 108-5342
- △ 回路番号
- パワ回路 ① ~ ⑬  
シグナル回路 ⑭ ~ ⑳
- △ コンタクト仕上識別マーク



NOTES; △ MUST BE KEPT BETWEEN Z AND 2  
 2 THE MATING PLUG HSG. PART NUMBER; 174515, 175442, 917989, 917978  
 3 RECOMMENDED MOUNTING SCREW; 3mm DIA, 6mm LENGTH (MAX.)  
 PAN HEAD, CLASS 2 TAPPING SCREW SPECIFIED IN JIS B1115, B1122  
 (TIGHTENING TORQUE; 0.4N-m MAX.)  
 4 APPLICABLE PRODUCT SPEC NO. 108-5280, 108-5342

△ CIRCUIT NUMBER

POWER CIRCUIT NO. ① ~ ⑬  
 SIGNAL CIRCUIT NO. ⑭ ~ ⑳

△ MARKING FOR DISCERNMENT OF THE CONTACT FINISH

Part No.	Pin	Finish	Material	Color	Part No.		
FJPI-7-175444-6	57	SELECTIVE-TIN (MATTE)	SELECTIVE GOLD x 8	14, 17, 18	24~26, 32, 34	GRAY 灰色	7-175444-6
FJPI-3-175444-6	53	PRE-TIN x 26	SELECTIVE GOLD x 13	2~5	20~24, 29~32	GRAY 灰色	3-175444-6
FJPI-6-175444-1	56	PRE-TIN x 21	SELECTIVE GOLD x 8	-	-	NATURAL 自然色	6-175444-1
FJPI-5-175444-9	55	PRE-TIN x 26	SELECTIVE GOLD x 8	4, 6, 9, 12	26, 28, 29, 34	LIGHT GRAY 淡灰色	5-175444-9
FJPI-5-175444-1	55	PRE-TIN x 26	SELECTIVE GOLD x 8	4, 6, 9, 12	26, 28, 29, 34	NATURAL 自然色	5-175444-1
FJPI-3-175444-2	53	PRE-TIN x 21	SELECTIVE GOLD x 13	2~5	20~24, 29~32	BLACK 黒色	3-175444-2
FJPI-2-175444-1	52	PRE-TIN x 18	SELECTIVE GOLD x 16	-	19~34	NATURAL 自然色	2-175444-1
FJPI-4-175444-6	54	PRE-TIN x 26	SELECTIVE GOLD x 8	-	20, 24, 26~28, 32~34	GRAY 灰色	4-175444-6
FJPI-3-175444-1	53	PRE-TIN x 21	SELECTIVE GOLD x 13	2~5	20~24, 29~32	NATURAL 自然色	3-175444-1
FJPI-7-175444-6	7	TIN-LEAD	SELECTIVE GOLD x 8	14, 17, 18	24~26, 32, 34	GRAY 灰色	7-175444-6
FJPI-6-175444-1	6	TIN-LEAD	SELECTIVE GOLD x 8	-	19~22, 27~30	NATURAL 自然色	6-175444-1
FJPI-5-175444-9	5	TIN-LEAD	SELECTIVE GOLD x 8	4, 6, 9, 12	26, 28, 29, 34	LIGHT GRAY 淡灰色	5-175444-9
FJPI-5-175444-6	5	TIN-LEAD	SELECTIVE GOLD x 4	5, 6, 11, 12	-	GRAY 灰色	5-175444-6
FJPI-5-175444-2	5	TIN-LEAD	SELECTIVE GOLD x 8	4, 6, 9, 12	26, 28, 29, 34	BLACK 黒色	5-175444-2
FJPI-5-175444-1	5	TIN-LEAD	SELECTIVE GOLD x 8	4, 6, 9, 12	26, 28, 29, 34	NATURAL 自然色	5-175444-1
FJPI-4-175444-6	4	TIN-LEAD	SELECTIVE GOLD x 8	-	20, 24, 26~28, 32~34	GRAY 灰色	4-175444-6
FJPI-3-175444-6	3	TIN-LEAD	SELECTIVE GOLD x 13	2~5	20~24, 29~32	GRAY 灰色	3-175444-6
FJPI-3-175444-1	3	TIN-LEAD	SELECTIVE GOLD x 13	2~5	20~24, 29~32	NATURAL 自然色	3-175444-1
FJPI-2-175444-1	2	TIN-LEAD	SELECTIVE GOLD x 16	-	19~34	NATURAL 自然色	2-175444-1
FJPI-175444-9	0	PRE-TIN x 34	-	-	-	GRAY 灰色	175444-9
FJPI-175444-8	0	PRE-TIN x 34	-	-	-	ORANGE オレンジ色	175444-8
FJPI-175444-6	0	PRE-TIN x 34	-	-	-	GRAY 灰色	175444-6
FJPI-175444-5	0	PRE-TIN x 34	-	-	-	BLUE 青色	175444-5
FJPI-175444-3	8	SELECTIVE-TIN (MATTE)	SELECTIVE-TIN (BRIGHT) x 34	-	-	NATURAL 自然色	175444-3
FJPI-175444-2	0	PRE-TIN x 34	-	-	-	BLACK 黒色	175444-2
FJPI-175444-1	0	PRE-TIN x 34	-	-	-	NATURAL 自然色	175444-1

THIS DRAWING IS A CONTROLLED DOCUMENT.

DMN: M. KADOSAKI 120CT05  
 CHK: T. SHINOHARA 120CT05  
 APVD: K. BESTUI 120CT05

STE TE Connectivity

34 POSITION CAP HOUSING ASS'Y  
 040/070 SERIES HYBRID I/O CONNECTOR

GENERAL TOLERANCE: DC < 10: ±0.2, 10 < DC < 30: ±0.25, 30 < DC < 100: ±0.3, ANGLES: ±3°

MATERIAL: HOUSING: PBT, CONTACT: BRASS

FINISH: 仕上

WEIGHT: 19 g

SCALE: 2:1

SHEET: 1 of 1

REV: P11

## X-ON Electronics

Largest Supplier of Electrical and Electronic Components

*Click to view similar products for [Automotive Connectors](#) category:*

*Click to view products by [TE Connectivity](#) manufacturer:*

Other Similar products are found below :

[003-018-000](#) [60403001](#) [60993906-B](#) [M902-2131](#) [M902-2161](#) [M902-2344](#) [72.330.1035.1](#) [73.353.4028.0](#) [F119300-B](#) [F166900](#) [F258300-B](#)  
[F358300-B](#) [F407400](#) [F444110](#) [F487000](#) [F509500B-B](#) [827153-1](#) [8N1515-32-24P](#) [9-1326729-8](#) [925474-1](#) [928905-1](#) [964562-4](#) [968782-1](#)  
[GT17SA-8DS-HU](#) [98891-1012](#) [98947-1016](#) [12004147](#) [12004475-L](#) [12010290](#) [12010309-B](#) [12015454](#) [12020219-B](#) [12041318-B](#) [12052225-](#)  
[L](#) [12052466](#) [12064869](#) [12004327-B](#) [12015308](#) [12015384](#) [12015909](#) [1-21030-1](#) [12041254](#) [12041318](#) [12047946-B](#) [12047957](#) [12047957-L](#)  
[12059473](#) [12066261](#) [12110546](#) [12110546-B](#)