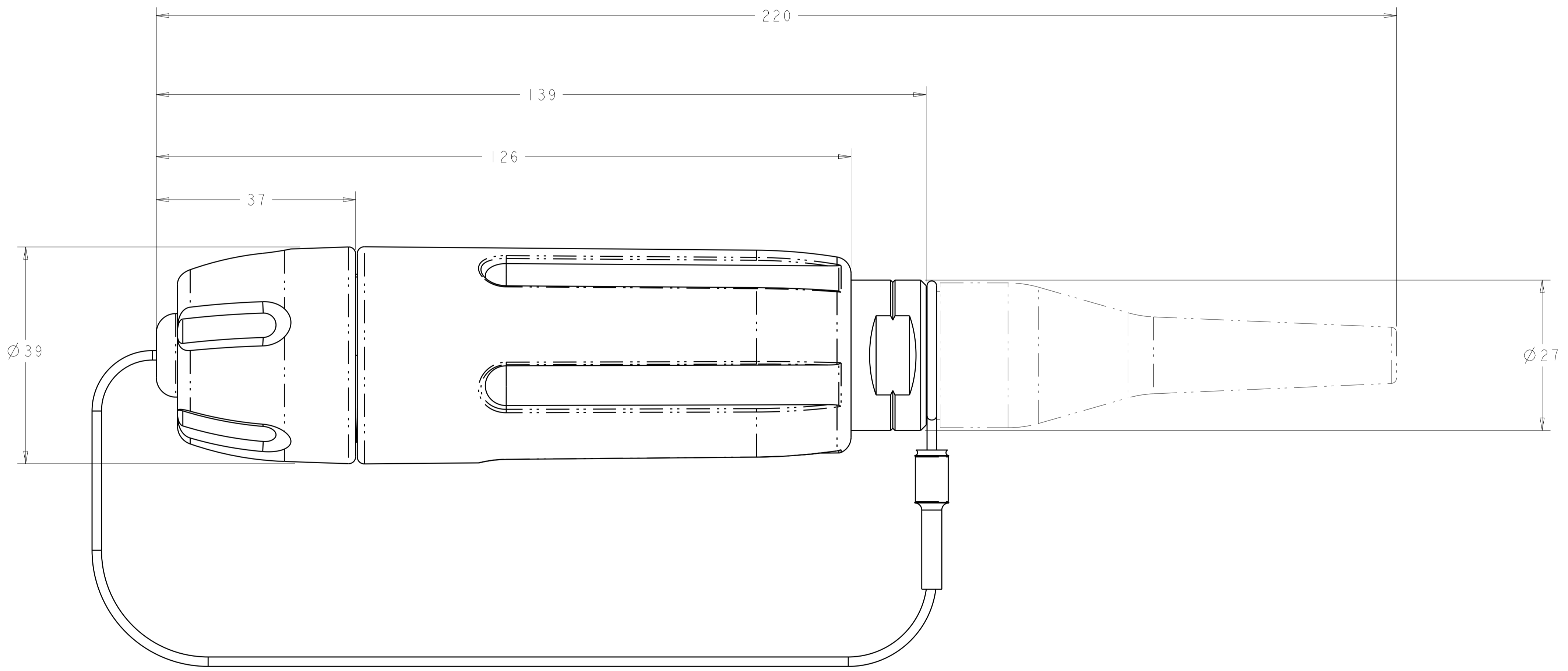


LOC	DIST	REVISIONS					
CE	-	P.	LTN	DESCRIPTION	DATE	DWN	APVD
		B		ECR-06-013320	12JUN06	KG	DW
		B1		ECR-11-022292	03NOV2011	KG	DW
		B2		ECR-13-011633	30JUL2013	KG	DW

1. ASSEMBLY SHOWN FOR REFERENCE ONLY.
SHIPPED LOOSE PIECE AS SHOWN ON PAGE 2.
2. ALL ASSEMBLY DIMENSIONS ARE FOR REFERENCE ONLY.
3. THIS PRODUCT HAS NOT COMPLETED VALIDATION TESTING.
4. COMPLETE THE CONNECTOR ASSEMBLY BY ADDING EACH OF THE FOLLOWING PRO BEAM SR. KITS:
 - A. EXPANDED BEAM INSERT ASSEMBLY KIT
 - B. CABLE ADAPTER KIT, SIZED TO THE CABLE JACKET DIAMETER
 - C. FERRULE KIT, ONE PER FIBER



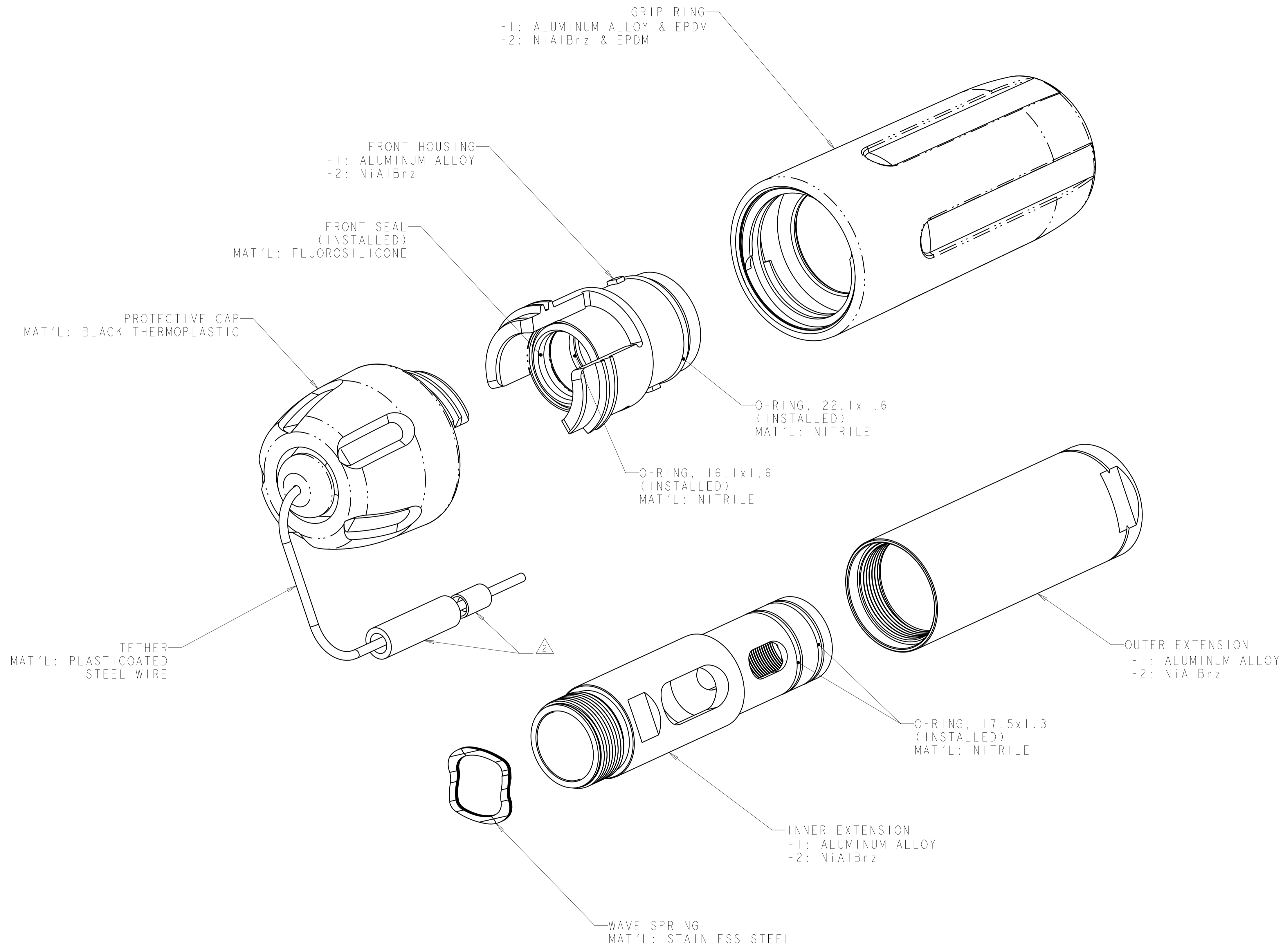
VIEW SHOWN WITH CABLE ADAPTER KIT INSTALLED
 AS PHANTOM LINES FOR VISUAL AND DIMENSIONAL PURPOSES ONLY

NiAlBrz	1754842-2
ALUMINUM	1754842-1
ALLOY OPTION	PART NUMBER

THIS DRAWING IS A CONTROLLED DOCUMENT.		DWN K. GLATFELTER 23JUL2004	TE Connectivity	
DIMENSIONS:		CHK D. WERTMAN 12AUG2004		
TOLERANCES UNLESS OTHERWISE SPECIFIED:		APVD D. WERTMAN 13AUG2004		
mm	0 PLC ±	PRODUCT SPEC	NAME CONNECTOR SHELL KIT, PLUG, PRO BEAM SR.	
	1 PLC ±	APPLICATION SPEC	SIZE A100779C=1754842	
	2 PLC ±	RESTRICTED TO	SCALE 2:1	
	3 PLC ±		SHEET 1 OF 2	
	4 PLC ±		REV B2	
	ANGLES ±			
MATERIAL	FINISH HARD ANODIZE (ALUMINUM ONLY)	WEIGHT	CUSTOMER DRAWING	

LOC		DIST		REVISIONS			
CE	-	P	LTH	DESCRIPTION	DATE	DWN	APVD
				SEE SHEET 1			

1. CONNECTOR SHELL KIT SHIPPED LOOSE PIECE AS SHOWN.
 2. TETHER ATTACHING LOOP TO BE COMPLETED ONTO CONNECTOR DURING TERMINATION ASSEMBLY.



THIS DRAWING IS A CONTROLLED DOCUMENT.		DWN A. GLATFELT 23 JUL 2004	TE Connectivity NAME CONNECTOR SHELL KIT, PLUG, PRO BEAM SR.	
DIMENSIONS:		CHK D. WERTMAN 12 AUG 2004		
mm	TOLERANCES UNLESS OTHERWISE SPECIFIED:	APVD D. WERTMAN 13 AUG 2004	PRODUCT SPEC	SIZE A100779
0 PLC	±	APPLICATION SPEC	RESTRICTED TO	
1 PLC	±	WEIGHT		
2 PLC	±			
3 PLC	±			
4 PLC	±			
ANGLES	±			
MATERIAL	FINISH HARD ANODIZE (ALUMINUM ONLY)			
		CUSTOMER DRAWING	SCALE 2:1	SHEET 2 OF 2
				REV B2

X-ON Electronics

Largest Supplier of Electrical and Electronic Components

Click to view similar products for [Fiber Optic Connectors](#) category:

Click to view products by [TE Connectivity](#) manufacturer:

Other Similar products are found below :

[0004700001](#) [6100-R](#) [6313](#) [F709034706](#) [F709722200](#) [F718183204](#) [F727403500](#) [F727752800](#) [FCXO-12-3BY](#) [FO-SCREW\(M2X6\)](#) [9440F20-27S-190](#) [944-120-6001](#) [944-125-6003](#) [9441F10SL-3S](#) [9446F10SL-4S](#) [953-101-5310-P](#) [954-101-57202B](#) [A0270169](#) [12-9122](#) [12-5702](#) [143025NC](#) [AX101713](#) [AX102420](#) [AX103923](#) [AX104141](#) [AX104193](#) [AX104228](#) [AX104230](#) [AX104562](#) [AX105203-B25](#) [AX105205-S1](#) [EHSC2M](#) [17-300800](#) [181-011-126](#) [BT34IW](#) [HRFCP-HSCJ-1\(61\)](#) [HRFC-R2\(40\)](#) [NKSOPBUY](#) [20500002116](#) [2064996-1](#) [20800001065](#) [2170](#) [9132](#) [2612](#) [2620](#) [9291](#) [9440F18-19S](#) [9440F20-14P](#) [9440F20-14PW](#) [9440W18-1S](#)