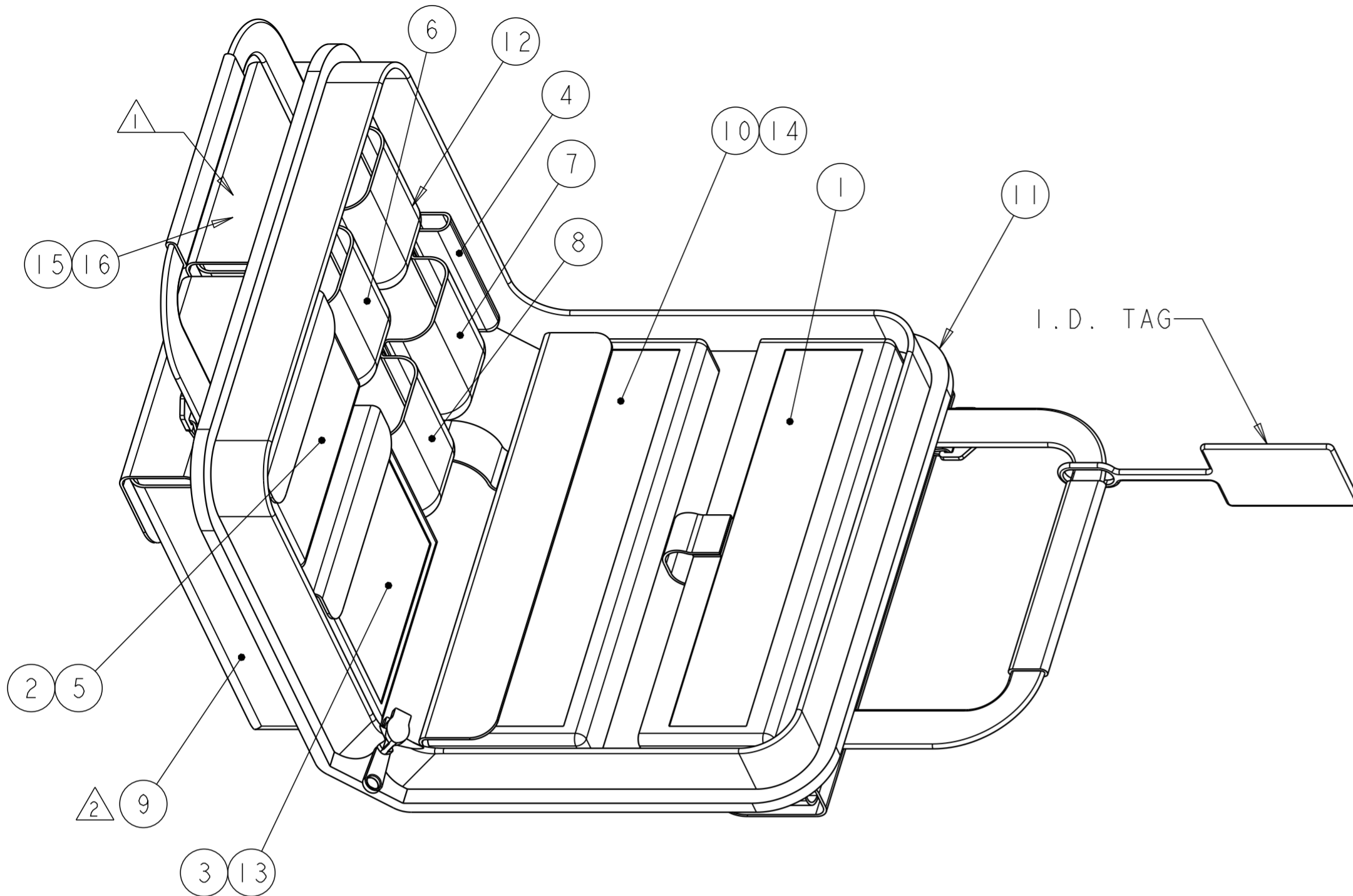


THIS DRAWING IS UNPUBLISHED. RELEASED FOR PUBLICATION  
 © 2016 COMMSCOPE, INC. CONFIDENTIAL NOTICE: THESE DRAWINGS AND SPECIFICATIONS ARE THE PROPRIETARY PROPERTY OF COMMSCOPE, INC. AND MAY BE USED ONLY FOR THE SPECIFIC PURPOSE AUTHORIZED IN WRITING BY COMMSCOPE, INC.

REVISIONS				
P	LTR	DESCRIPTION	DATE	APVD
	N	8000022968	25MAY2017	NRO JFM



- 1. MANUFACTURER'S INSTRUCTION SHEETS.
- 2. OPTIONAL SHOULDER STRAP.
- 3. INSTRUCTION SHEETS 408-4020, 408-8925, 408-4471 AND 408-10103 EXPLAIN THE LightCrimp Plus TERMINATION TECHNIQUE AND ARE AVAILABLE FOR DOWNLOAD AT WWW.COMMSCOPE.COM

1	1	2064710-1	FIBER OPTICS CLEANING & INSPECTION GUIDE	16
1	1	1374503-1	CD ROM, TERMINATION TRAINING	15
1	-	1754765-1	MICROSCOPE ADAPTER, 1.25mm	14
1	1	1278625-1	CABLE CLAMP	13
1	1	1553661-1	SLITTER TOOL, 2mm & 3mm	12
1	1	1278540-1	PREMIUM SOFT CASE	11
1	-	1754767-1	200x MICROSCOPE KIT	10
1	1	1871696-1	FIBER CLEAVER, SLIDE CUTTER	9
1	1	1278637-1	ARAMID YARN SHEARS	8
1	1	1754708-1	FIBER STRIP TOOL, COMBINATION	7
1	1	492109-2	MICRO STRIP TOOL MT-RJ (.008IN)	6
14	14	501857-2	ALCOHOL WIPES	5
2	2	1278422-1	OPEN END WRENCH, 1/4IN	4
1	1	2064540-1	CABLE HOLDER, LightCrimp Plus/LC/SC	3
1	1	1985766-1	DIESET, LightCrimp Plus/LC/SC/SPLICE	2
1	1	1976850-2	HANDTOOL FRAME, BLACK	1
-2	-1	MID	DESCRIPTION	ITEM NO.

THIS DRAWING IS A CONTROLLED DOCUMENT.		DWN B. BRIGGS 17MAY2006	<b>COMMSCOPE, INC.</b>		
		CHK - 17MAY2006			
DIMENSIONS: mm		APVD - 17MAY2006	NAME TERMINATION KIT, LightCrimp Plus, SC/LC		
TOLERANCES UNLESS OTHERWISE SPECIFIED: 0 PLC ± 1 PLC ± 2 PLC ± 3 PLC ± 4 PLC ± ANGLES ± FINISH		PRODUCT SPEC - APPLICATION SPEC -	SIZE A2	CAGE CODE -	DRAWING NO. C-1754845
MATERIAL -		WEIGHT -	SCALE NTS	SHEET OF	REV N
CUSTOMER DRAWING					

## X-ON Electronics

Largest Supplier of Electrical and Electronic Components

*Click to view similar products for [Fibre Optic Connectors](#) category:*

*Click to view products by [TE Connectivity](#) manufacturer:*

Other Similar products are found below :

[0004700001](#) [6100-R](#) [6313](#) [F709034706](#) [F709722200](#) [F709730000](#) [F718183204](#) [F727403500](#) [F727752800](#) [8119](#) [9440F20-27S-190](#) [944-120-6001](#) [9441F10SL-3S](#) [9444W28-21S](#) [9444W36-10S](#) [9446F10SL-4S](#) [9446W20-16S](#) [953-101-5310-P](#) [954-101-57202B](#) [A0270169](#) [12-9122](#) [12-5702](#) [AX101713](#) [AX102420](#) [AX103923](#) [AX104024](#) [AX104193](#) [AX104230](#) [AX104498](#) [AX104562](#) [AX105203-B25](#) [AX105205-S1](#) [EHSC2M](#) [181-011-126](#) [181-011-S](#) [181-057-126](#) [HRFC-R2\(40\)](#) [NKSOPBUY](#) [20500002116](#) [2064996-1](#) [20800001065](#) [2170](#) [9132](#) [2612](#) [2620](#) [9291](#) [9440F16-10S](#) [9440F20-18S](#) [9442W14S-10P](#) [9446F16-10S-190](#)