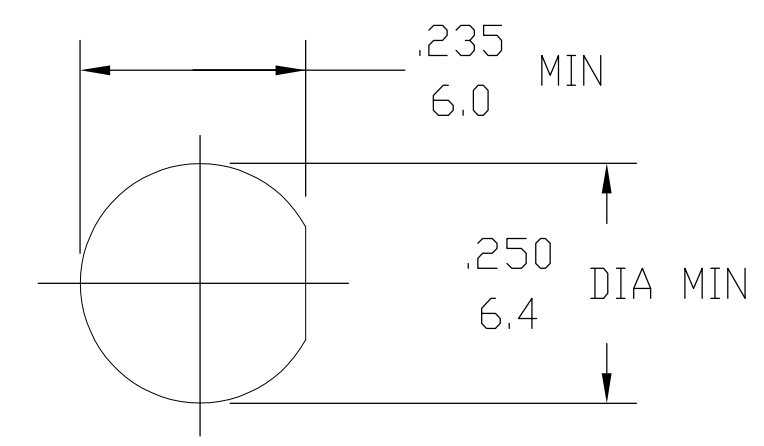


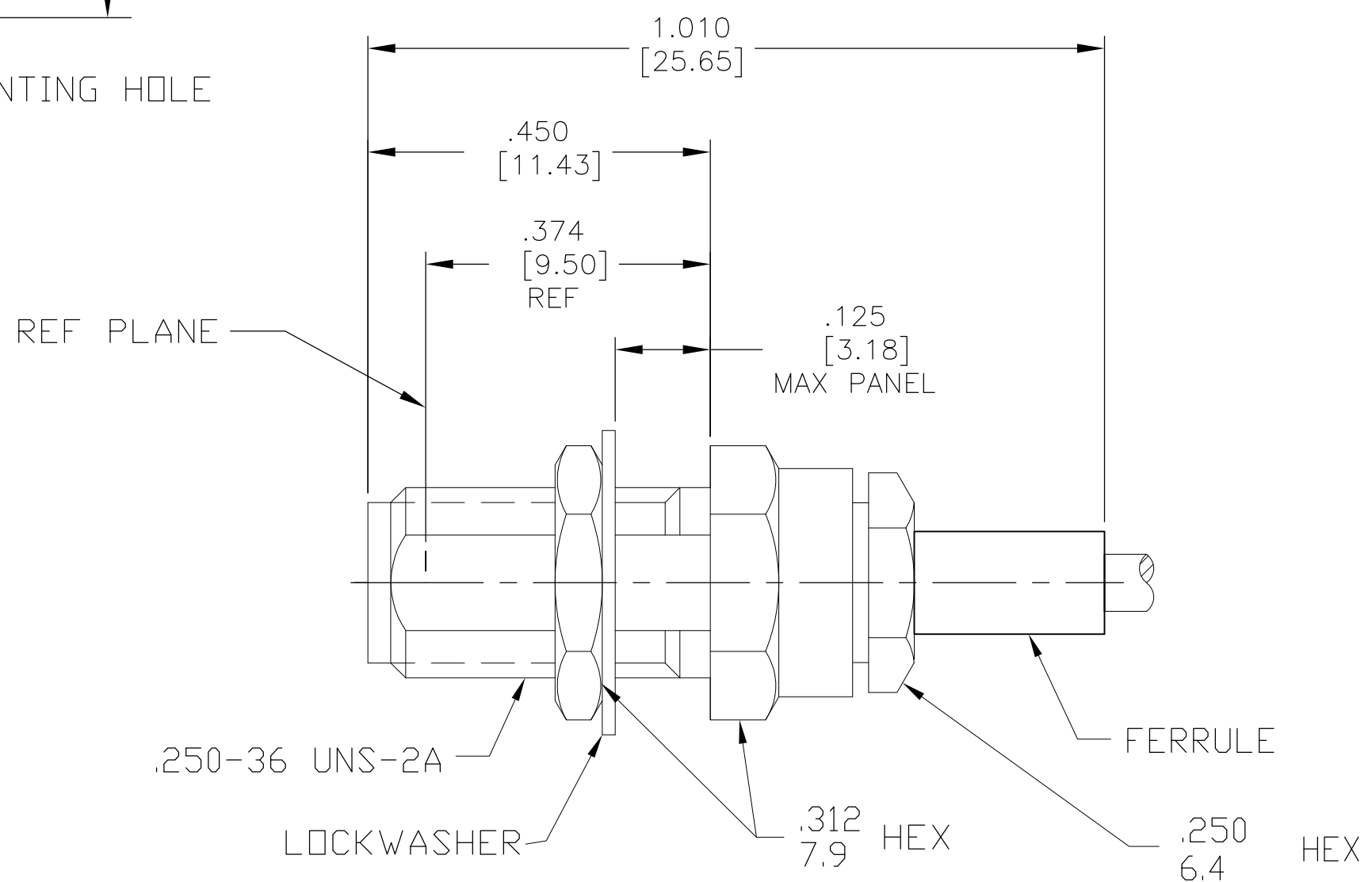
THIS DRAWING IS UNPUBLISHED. RELEASED FOR PUBLICATION  
 © COPYRIGHT - By - ALL RIGHTS RESERVED.

1. SEE INSTRUCTION SHEET 408-4802 FOR CABLE TERMINATION DETAILS.
2. PARTS SHIPPED UNASSEMBLED.

REVISIONS				
P	LTR	DESCRIPTION	DATE	APVD
B		REV PER ECO 17-000051	1-18-17	CT PR



RECOMMENDED MOUNTING HOLE



DESIGNED FOR USE WITH RG178/U & SIMILAR CABLES CABLE ENTRY DIAMETER MINIMUM	
CONTACT	.021 [0.53]
SLEEVE	.036 [0.91]
FERRULE	.098 [2.49]

COMPONENT	MATERIAL	FINISH
HOUSING MOUNTING NUT CLAMP NUT SLEEVE	STAINLESS STEEL	PASSIVATED
DIELECTRIC BEAD	NYLON	N/A
DIELECTRIC	PTFE	N/A
CENTER CONTACT	COPPER ALLOY	GOLD PLATED
LOCKWASHER	PHOSPHOR BRONZE	NICKEL PLATED
O-RING	FLUOROSILICONE RUBBER	N/A
FERRULE	COPPER OR BRASS ALLOY	NICKEL PLATED

ELECTRICAL	MECHANICAL	ENVIRONMENTAL
Nominal Impedance (Ωhms) 50	Interface Dimensions MIL-STD-348A, Fig. 310.2	TEMPERATURE RATING -65°C TO +165°C
Frequency Range (GHz) DC to 12.4	Recommended Mating Torque N/A	Vibration MIL-STD-202, Method 204, Condition D
Volt Rating (VRMS MAX) @ Sea Level 170	Mating Characteristics:	Shock MIL-STD-202, Method 213, Condition I
VSWR 1.20 + [0.02 f(GHz)]	Insertion (MAX Lbs) 3.0	Thermal Shock MIL-STD-202, Method 107, Condition B EXCEPT HIGH TEMP SHALL BE +85°C
Insertion Loss (dB MAX) .06 √ f(GHz)	Withdrawal (MIN Oz) 1.0	Moisture Resistance MIL-STD-202, Method 106, Except Vibration
RF Leakage (dB MIN) -60 @ 2-3 GHz	Force to Engage and Disengage (In/Lbs MAX) 2.0	Shall Be Omitted
Corona, 70,000 Ft (VRMS MIN) 125	Center Contact Captivation	Corrosion - MIL-STD-202, Method 101, Condition B, 5% salt spray
Dielectric Withstanding Voltage (VRMS MIN) @ Sea Level 500	Axial (Lbs) 6.0	
Contact Resistance (Milliohms MAX)	Radial (In/Oz) N/A	
Center Contact 2.0	Cable Retention	
Outer Contact 2.0	Axial Force (Lbs) 10.0	
Cable to Housing 0.5	Torque (In/Oz) N/A	
RF High Potential @ Sea Level (VRMS MIN @ 5 MHz) 335	Weight (Grams) 4.2	
I.R.(Megohms MIN) 10,000		

1757091

1757091-1  
PART NUMBER

THIS DRAWING IS A CONTROLLED DOCUMENT.

DWN	C.C.THOMAS	5-16-16	 TE Connectivity
CHK	F.BLASICK	5-16-16	
APVD	F.BLASICK	5-16-16	
PRODUCT SPEC			
APPLICATION SPEC			NAME
			SMA BULKHEAD FEEDTHROUGH PASSIVATED CABLE JACK, CRIMP ATTACH
MATERIAL	SEE TABLE	FINISH	SEE TABLE
WEIGHT	0	SCALE	A2 00779 C=1757091
CUSTOMER DRAWING		SHEET	1 of 1

RESTRICTED TO: -

## X-ON Electronics

Largest Supplier of Electrical and Electronic Components

*Click to view similar products for [TE Connectivity](#) manufacturer:*

Other Similar products are found below :

[D38999/24FJ4AN](#) [570416-000](#) [CLTEQ-M81CE-SSRELAY-4-20V](#) [4-1195131-0](#) [650069-000](#) [SMD100-2](#) [358838-000](#) [CB-1022B-78](#)  
[RM707012](#) [RP410012](#) [MMS42](#) [1-640426-8](#) [2EDL4CM](#) [DTS20W19-11PD-3028-LC](#) [RM202615](#) [NC6-P104-06](#) [MSPS103B](#) [DTS26F21-41HE-LC](#) [DTS26F21-41AE](#) [DTS26F21-41PE-LC](#) [DTS26F21-11SE-3028-LC](#) [30DCB6](#) [1932144-1](#) [293545-4](#) [LVR125S](#) [MS27466T25F4PB](#)  
[CKB-38-78010](#) [TR04AI-TINELLOCKRING](#) [1206SFF150F/63-2](#) [D38999/20JB35HA](#) [TE1500A2R2J](#) [D38999/20WC8BB](#) [DTS24F19-11SC-3028-LC](#) [D38999/24WG11HA](#) [D38999/24WG11HN](#) [MS27467T21F11H](#) [DJT16E21-11HA](#) [MS27467T21F35J](#) [MS27467T21F11J](#)  
[MS27467T21F16H-LC](#) [MS27467T21F35H](#) [MS27467T21F41H-LC](#) [1206SFH150F/24-2](#) [RP330024](#) [DJT16E21-11PA-LC](#) [DJT16E21-11HA-LC](#) [DJT16E21-11AA](#) [MS27467T21B11JA](#) [DJT16E21-11JA](#) [MS27467T21B11JA-LC](#)