

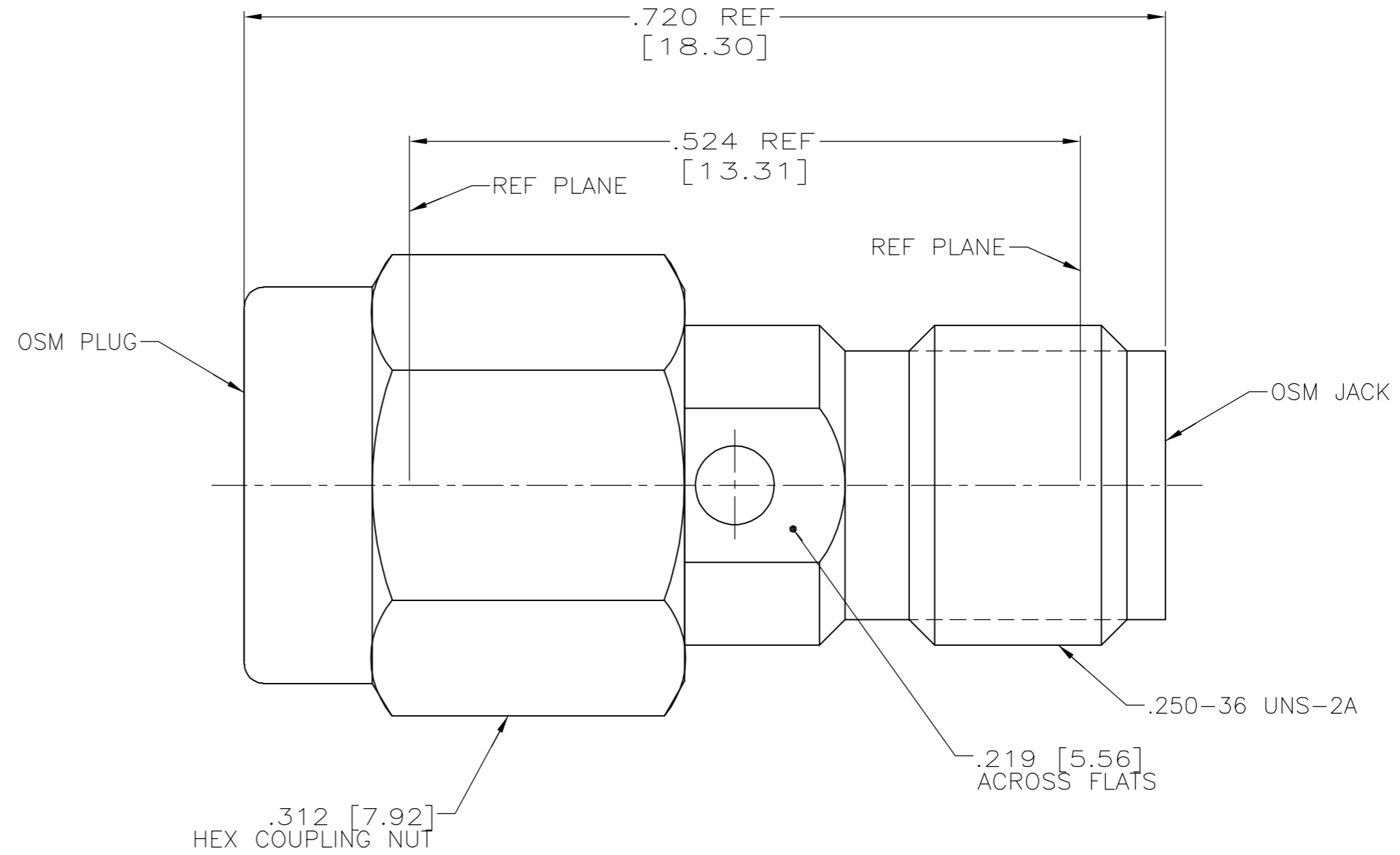
THIS DRAWING IS UNPUBLISHED.		RELEASED FOR PUBLICATION
© COPYRIGHT 19		BY AMP INCORPORATED. ALL RIGHTS RESERVED.
COMPONENT	MATERIAL	FINISH
HOUSING - COUPLING NUT	STAINLESS STEEL PER ASTM-A-484 OR ASTM-A-582 TYPE 303	GOLD PLATED PER ASTM-B-488 OVER NICKEL PER QQ-N-290
DIELECTRIC	TFE FLUORCARBON PER ASTM-D-1457	- -
CENTER CONTACT	BERYLLIUM COPPER PER ASTM-B-196 ALLOY C17300, CONDITION H	GOLD PLATED PER ASTM-B-488 OVER COPPER PER MIL-C-14550
RETAINING RING	BERYLLIUM COPPER PER ASTM-B-194 ALLOY C17200, CONDITION H	- -
GASKET	SILICONE RUBBER PER ZZ-R-765	- -

ENVIRONMENTAL	
TEMPERATURE RATING:	-65° C TO +125° C
VIBRATION:	MIL-STD-202, METHOD 204, CONDITION D
SHOCK:	MIL-STD-202, METHOD 213, CONDITION 1
MOISTURE RESISTANCE:	MIL-STD-202, METHOD 106
CORROSION:	MIL-STD-202, METHOD 101, CONDITION B. 5% SALT SPRAY
THERMAL SHOCK:	MIL-STD-202, METHOD 107, CONDITION B EXCEPT HIGH TEMP SHALL BE 155° C

MECHANICAL	
INTERFACE DIMENSIONS:	MIL-STD-348A FIG. 310.1 & 310.2
RECOMMENDED MATING TORQUE:	7-10 IN-LBS
FORCE TO ENGAGE & DISENGAGE (IN-LBS MAX.):	2.0
WEIGHT (GRAMS):	TBD
MATING CHARACTERISTICS:	INSERTION (MAX LBS): 3.0 WITHDRAWAL (MIN OZ): 1.0
COUPLING PROOF TORQUE (IN-LBS MIN)	15
COUPLING MECHANISM RETENTION FORCE (LBS MIN)	60
CENTER CONTACT CAPTIVATION:	AXIAL (LBS): 6.0 RADIAL (IN-OZ): 4.0

ELECTRICAL	
NORMAL IMPEDANCE (OHMS):	50
FREQUENCY RANGE (GHz):	DC TO 18
VOLT RATING @ SEA LEVEL (VRMS MAX):	335
VSWR:	1.05+.005f(GHz)
INSERTION LOSS: (dB MAX):	.03 √ f(GHz)
RF LEAKAGE (dB MIN):	[-60-f(GHz)]
CORONA 70,000 FT (VRMS MIN):	250
DIELECTRIC WITHSTANDING VOLTAGE (VRMS MIN) AT SEA LEVEL:	1,500
I.R. (MEGOHMS MIN):	5,000
RF HIGH POTENTIAL AT SEA LEVEL (VRMS MIN @ 5 MHz):	670
CONTACT RESISTANCE (MILLIOHMS MAX):	CENTER CONTACT: 4.0 OUTER CONTACT: 2.0 CABLE TO HOUSING: N/A

LOC	DIST	REVISIONS					
DF	XO	P	LTR	DESCRIPTION	DATE	DWN	APVD
		0		REV PER OH14-0436-04	7-04	CT	FB



1757092-1
PART NO.

THIS DRAWING IS A CONTROLLED DOCUMENT.		DWN	C.C.THOMAS	7-16-04	tyco Electronics	TYCO Electronics Corporation Harrisburg, PA 17105-3608	AMP
DIMENSIONS: INCHES [mm]		CHK	F.BLASICK	7-19-04			
TOLERANCES UNLESS OTHERWISE SPECIFIED:		APVD	F.BLASICK	7-19-04	NAME		
0 PLC ±-		PRODUCT SPEC		SMA JACK TO SMA PLUG ADAPTER			
1 PLC ±-		USE ASSEMBLY PROCEDURE		RESTRICTED TO			
2 PLC ±-		WEIGHT		SIZE			
3 PLC ±.005 [0.13]		CAGE CODE		DRAWING NO			
4 PLC ±-		DRAWING NO		A200779			
ANGLES ±-		SCALE		10:1			
FINISH		SHEET		1 OF 1			
MATERIAL		REV		0			
SEE TABLE		CUSTOMER DRAWING					

X-ON Electronics

Largest Supplier of Electrical and Electronic Components

Click to view similar products for [RF Adapters - In Series](#) category:

Click to view products by [TE Connectivity](#) manufacturer:

Other Similar products are found below :

[5919-1503-000](#) [5919-9503-000](#) [651A505](#) [7122-1502-000](#) [9030-9523-502](#) [932A505](#) [PN2C](#) [A0407000](#) [R114703000](#) [R114703000W](#)
[R114753000](#) [R125704000](#) [R127871001](#) [R141704000W](#) [R141710000W](#) [R141723161](#) [R141730000](#) [R141770000](#) [R142704000W](#)
[R142720000](#) [R142720700](#) [R143730700](#) [R143770000](#) [R161703000W](#) [R161730000](#) [R161730000W](#) [R161753000W](#) [R161791530W](#)
[R176770000](#) [R201705000](#) [R222705200](#) [R222M40010W](#) [R222M40050](#) [R223703020](#) [R223703080](#) [R316754000](#) [AD78TL](#) [HRM-513S](#)
[1996352-2](#) [2157155-1](#) [2101130-1](#) [R114704000W](#) [R114720000W](#) [R125705000](#) [R125705001](#) [R125705701](#) [R125771000](#) [R125791501W](#)
[R127703001](#) [R127704001](#)