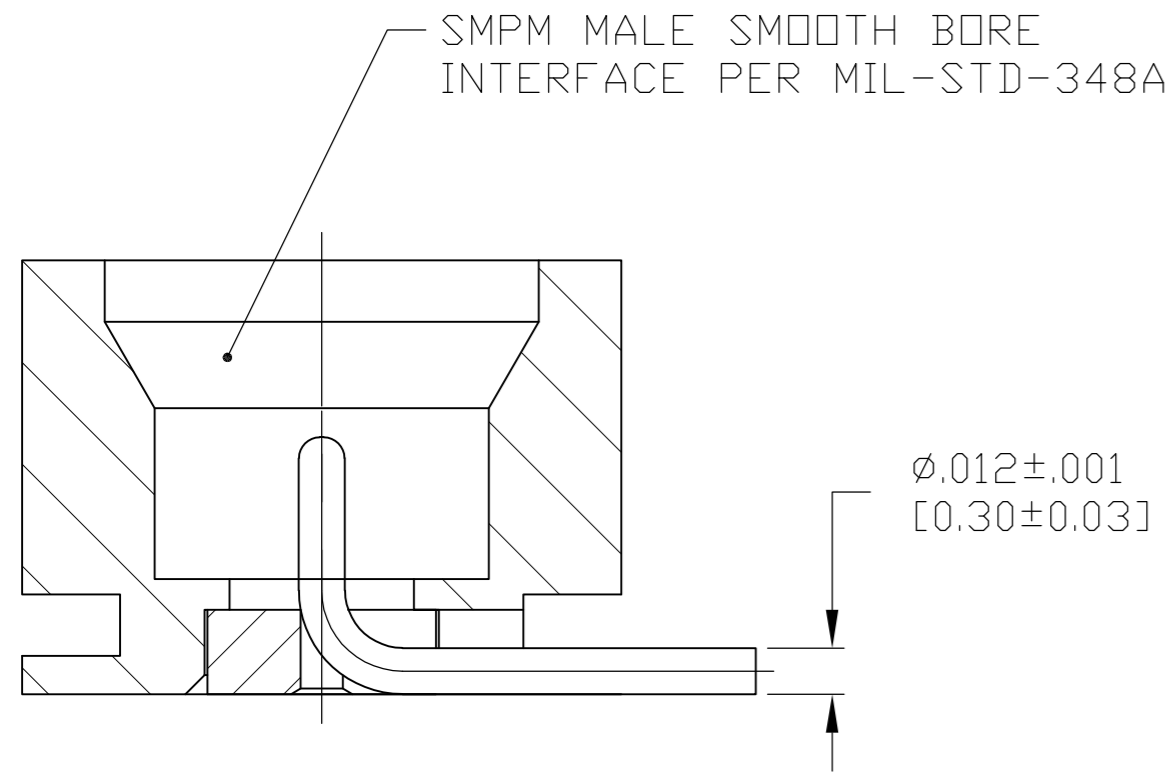


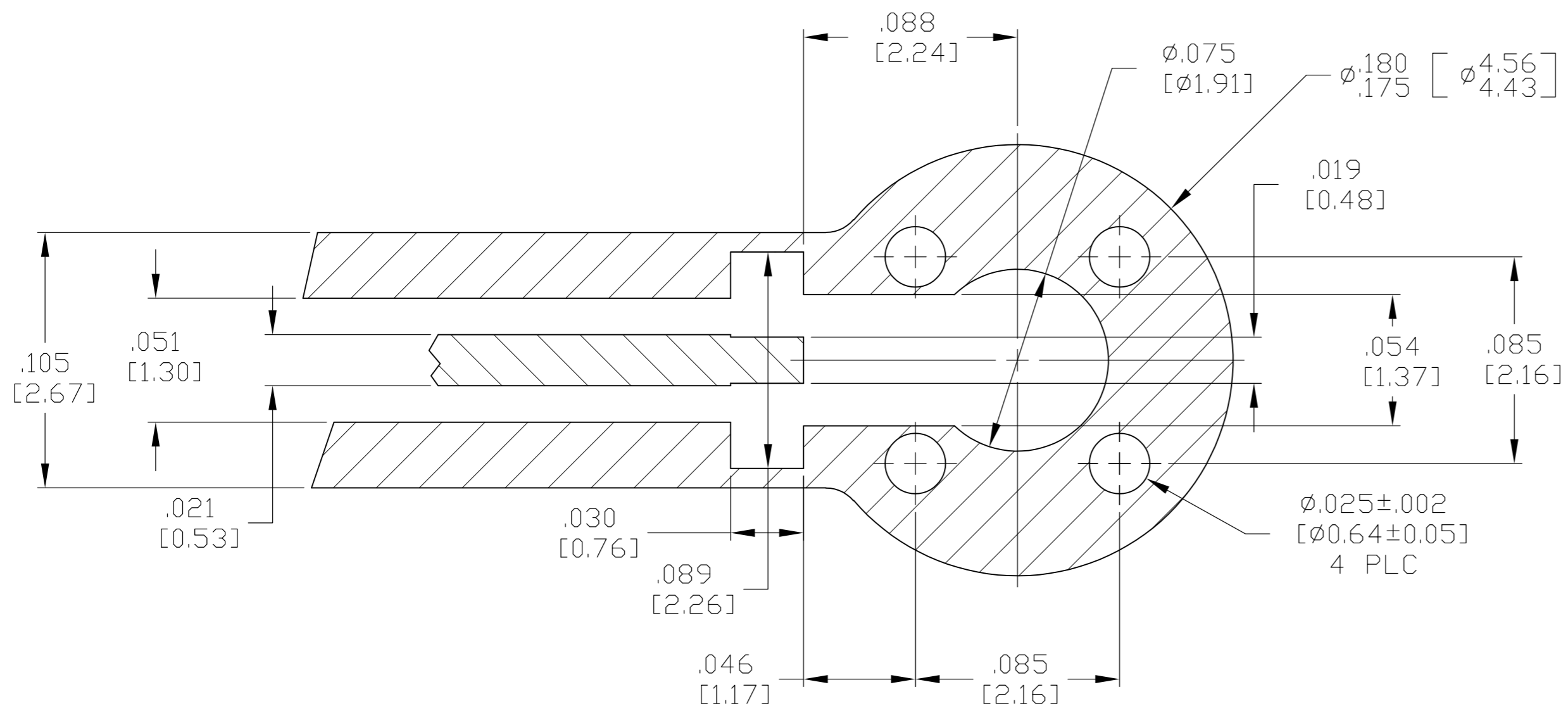
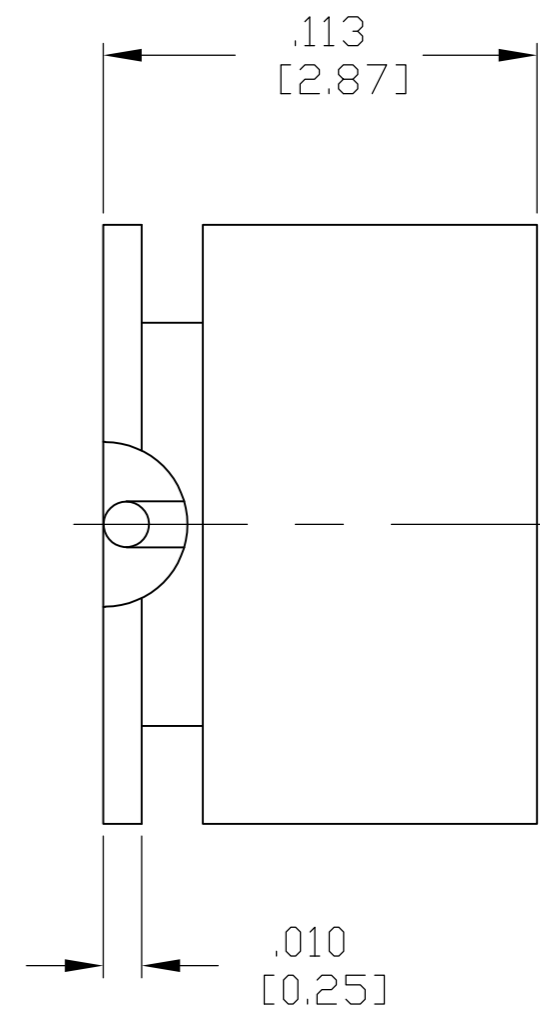
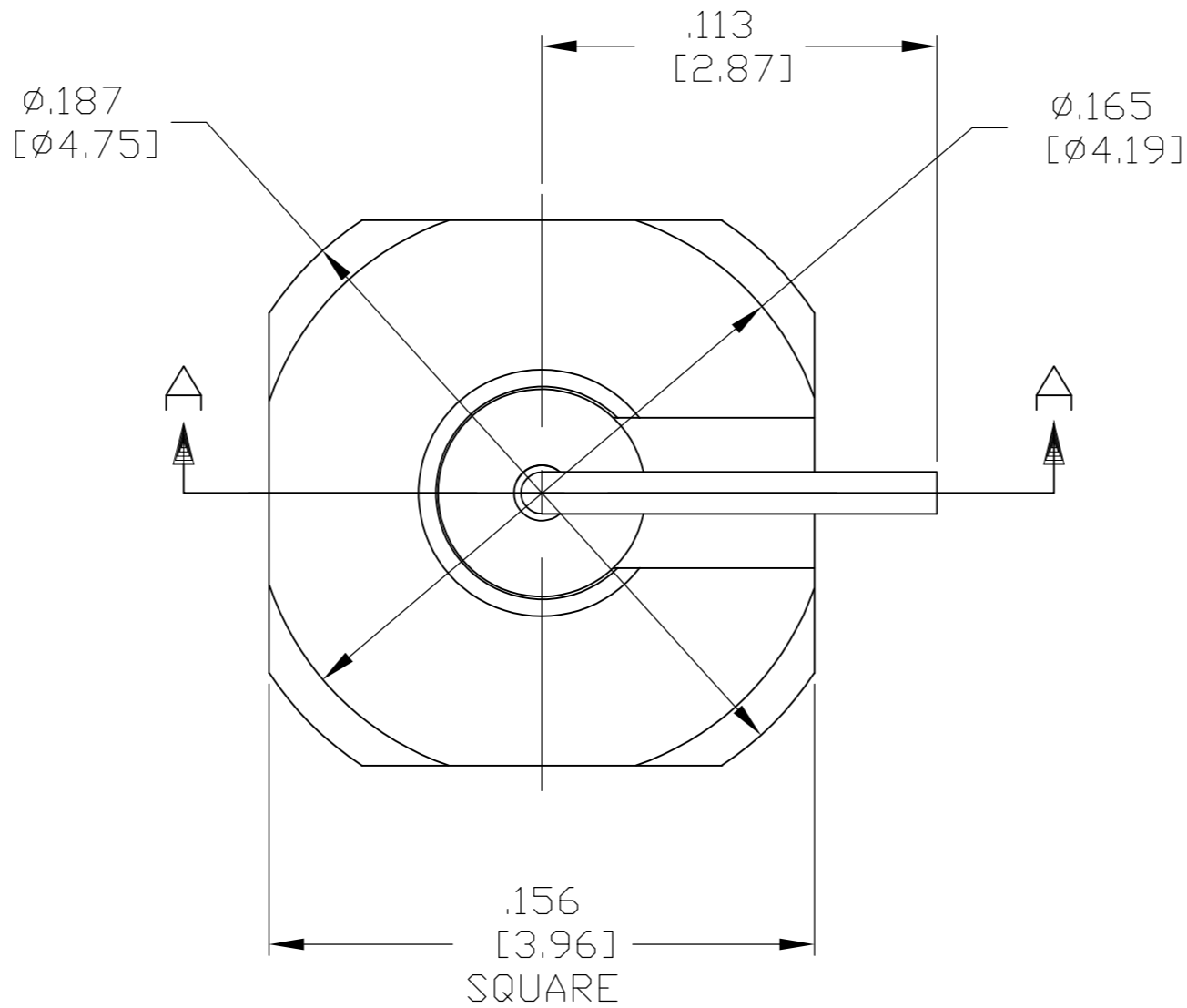
THIS DRAWING IS UNPUBLISHED. RELEASED FOR PUBLICATION
 © COPYRIGHT BY TYCO ELECTRONICS CORPORATION. ALL RIGHTS RESERVED.

COMPONENT	MATERIAL	FINISH
HOUSING	BRASS PER ASTM-B16	GOLD PLATED PER ASTM-B-488 TYPE 3, CODE C, CLASS 1.25
DIELECTRIC	POLYAMIDE IMIDE PER MIL-R-46179	-
PIN	BERYLLIUM COPPER PER ASTM B196	GOLD PLATED PER ASTM-B-488 TYPE 3, CODE C, CLASS 1.25

LOC	DIST	REVISIONS			
P	LTR	DESCRIPTION	DATE	DWN	APVD
DF	X0				
	D	REV PER ECO 08-006882	3-18-08	CT	BM



SECTION A-A



RECOMMENDED P.C. BOARD LAYOUT

1757253-1
PART NUMBER

THIS DRAWING IS A CONTROLLED DOCUMENT.		DWN C.C.THOMAS 6-2-05	Tyco Electronics Corporation Harrisburg, PA 17105-3608	
DIMENSIONS: INCHES		CHK R.GROSS 6-2-05	NAME SMPM PCB SURFACE SURFACE MOUNT CONNECTOR, SMOOTH BORE	
TOLERANCES UNLESS OTHERWISE SPECIFIED:		APVD R.GROSS 6-2-05	SIZE A2	
0 PLC ± -		PRODUCT SPEC 108-2242	CAGE CODE 00779	
1 PLC ± -		APPLICATION SPEC	DRAWING NO C=1757253	
2 PLC ± -			RESTRICTED TO -	
3 PLC ± .005 [0.13]			SCALE 20:1	
4 PLC ± -			SHEET 1 of 1	
ANGLES ± -			REV D	
FINISH SEE TABLE		WEIGHT -		
MATERIAL SEE TABLE		CUSTOMER DRAWING		

X-ON Electronics

Largest Supplier of Electrical and Electronic Components

Click to view similar products for [RF Connectors / Coaxial Connectors](#) category:

Click to view products by [TE Connectivity](#) manufacturer:

Other Similar products are found below :

[8915-1511-000](#) [89674-0827](#) [6001-7071-019](#) [6002-7051-003](#) [6002-7551-202](#) [6059674-1](#) [619550-1](#) [630059-000](#) [M39030/3-01N](#) [6500-7071-046](#) [6769](#) [CX050L2AQ](#) [7002-1541-010](#) [7002-1542-011](#) [7004-1512-000](#) [7009-1511-004](#) [7010-1511-000](#) [7029-1511-060](#) [7101-1541-010](#) [7101-1571-002](#) [7145-1521-002](#) [7203-1571-003](#) [7209-1511-011](#) [7210-1511-015](#) [7210-1511-019](#) [73137-5015](#) [73216-2241](#) [73404-2300](#) [7405-1521-005](#) [7405-1521-802](#) [8527](#) [8547](#) [FS11V](#) [877931](#) [9049-9513-000](#) [9074-9513-000](#) [9101-9573-002](#) [910A205F](#) [9130-9573-002](#) [PL11SC-026](#) [PL375-33](#) [PL40-5](#) [PL74C-221](#) [PL75MC-217](#) [PL803-7](#) [980-8666-005](#) [1200690078](#) [1-201144-1](#) [R107003010W](#) [R110A172100](#)