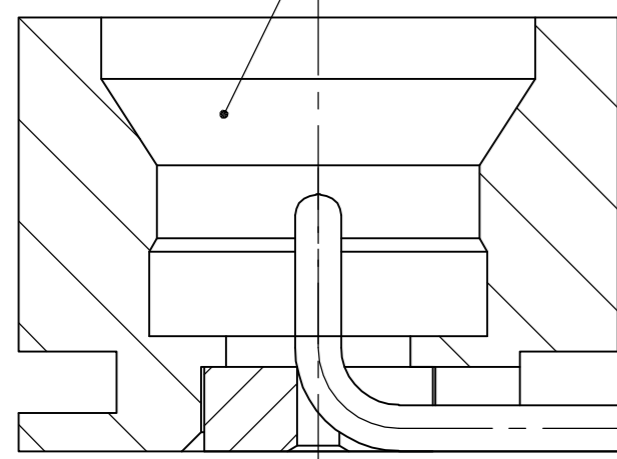


THIS DRAWING IS UNPUBLISHED.		RELEASED FOR PUBLICATION	
© COPYRIGHT BY TYCO ELECTRONICS CORPORATION. ALL RIGHTS RESERVED.			
COMPONENT	MATERIAL	FINISH	
HOUSING	BRASS PER ASTM-B16	GOLD PLATED PER ASTM-B-488 TYPE 3, CODE C, CLASS 1.25	
DIELECTRIC	POLYAMIDE IMIDE PER MIL-R-46179	-	
PIN	BERYLLIUM COPPER PER ASTM B196	GOLD PLATED PER ASTM-B-488 TYPE 3, CODE C, CLASS 1.25	

LOC	DIST	REVISIONS					
DF	X0	P	LTR	DESCRIPTION	DATE	DWN	APVD
		C		REV PER ECO 07-003624	2-28-07	CT	RG

SMPM MALE FULL DETENT INTERFACE PER MIL-STD-348A



SECTION A-A

$\phi.012 \pm .001$   
[0.30 ± 0.03]

$\phi.187$   
[ $\phi 4.75$ ]

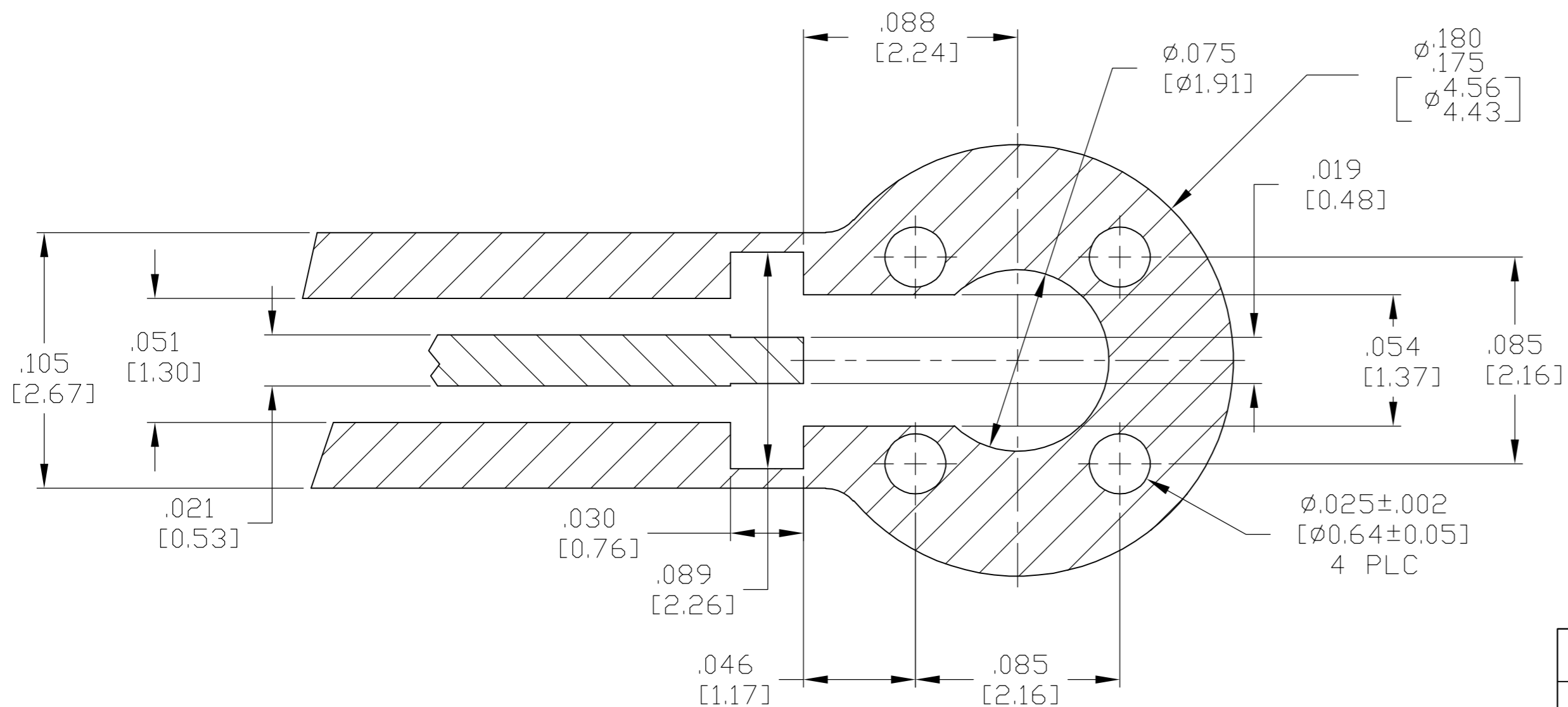
.113  
[2.87]

$\phi.165$   
[ $\phi 4.19$ ]

.156  
[3.96]  
SQUARE

.113  
[2.87]

.010  
[0.25]



RECOMMENDED P.C. BOARD LAYOUT

1757254-1  
PART NUMBER

THIS DRAWING IS A CONTROLLED DOCUMENT.		DWN	C.C.THOMAS	6-2-05	Tyco Electronics Corporation Harrisburg, Pa 17105-3608
DIMENSIONS: INCHES [mm]		CHK	R.GROSS	6-2-05	
TOLERANCES UNLESS OTHERWISE SPECIFIED:		APVD	R.GROSS	6-2-05	
0 PLC ± - 1 PLC ± - 2 PLC ± - 3 PLC ± .005 [0.13] 4 PLC ± - ANGLES ± - FINISH SEE TABLE		PRODUCT SPEC	NAME		
MATERIAL SEE TABLE		APPLICATION SPEC		SMPM PCB SURFACE SURFACE MOUNT CONNECTOR, FULL DETENT	
		WEIGHT	-	SIZE	A2
		CUSTOMER DRAWING		CAGE CODE	00779
		SCALE		DRAWING NO	C=1757254
		SHEET		RESTRICTED TO	-
		REV		C	

## X-ON Electronics

Largest Supplier of Electrical and Electronic Components

*Click to view similar products for [RF Connectors / Coaxial Connectors](#) category:*

*Click to view products by [TE Connectivity](#) manufacturer:*

Other Similar products are found below :

[8915-1511-000](#) [89674-0827](#) [6001-7071-019](#) [6002-7051-003](#) [6002-7551-202](#) [6059674-1](#) [619550-1](#) [630059-000](#) [M39030/3-01N](#) [6500-7071-046](#) [6769](#) [CX050L2AQ](#) [7002-1541-010](#) [7002-1542-011](#) [7004-1512-000](#) [7009-1511-004](#) [7010-1511-000](#) [7029-1511-060](#) [7101-1541-010](#) [7101-1571-002](#) [7105-1521-002](#) [7145-1521-002](#) [7203-1571-003](#) [7209-1511-011](#) [7210-1511-015](#) [7210-1511-019](#) [73137-5015](#) [73216-2241](#) [73404-2300](#) [7405-1521-005](#) [7405-1521-802](#) [8527](#) [8547](#) [FS11V](#) [877931](#) [9049-9513-000](#) [9074-9513-000](#) [9101-9573-002](#) [910A205F](#) [9130-9573-002](#) [PL11SC-026](#) [PL375-33](#) [PL40-5](#) [PL74C-221](#) [PL75MC-217](#) [PL803-7](#) [1200690078](#) [1-201144-1](#) [R107003010W](#) [R110A172100](#)