

4

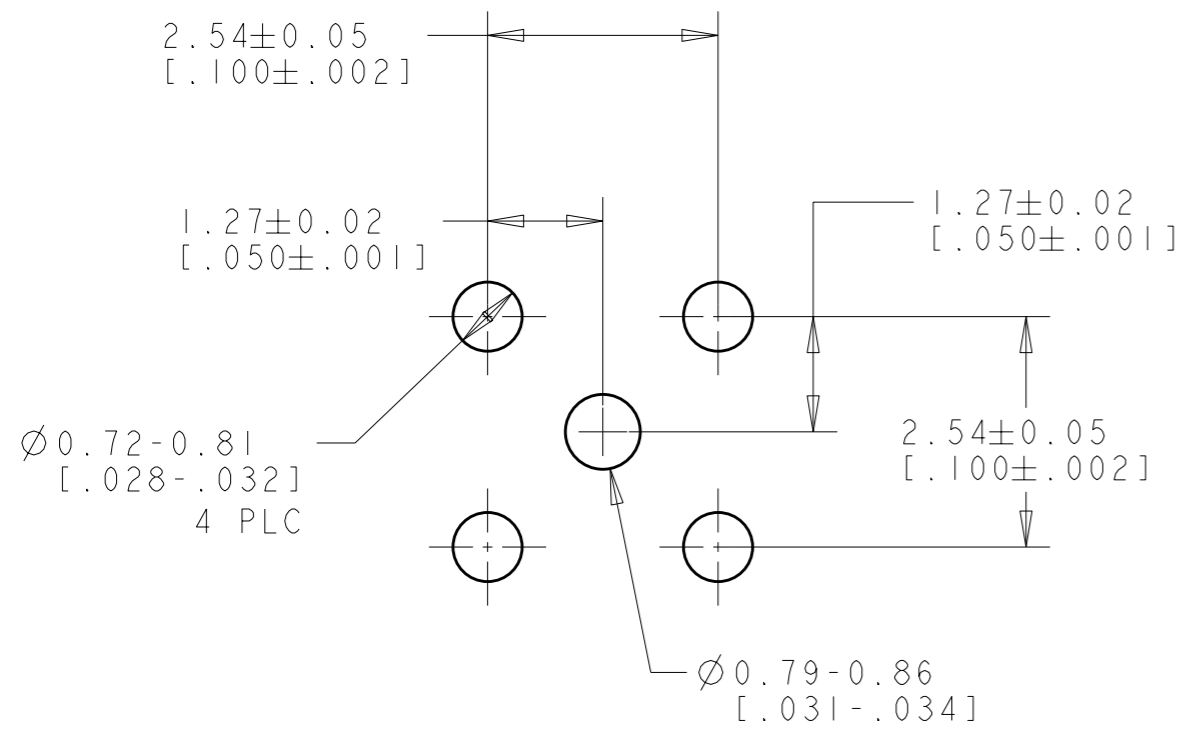
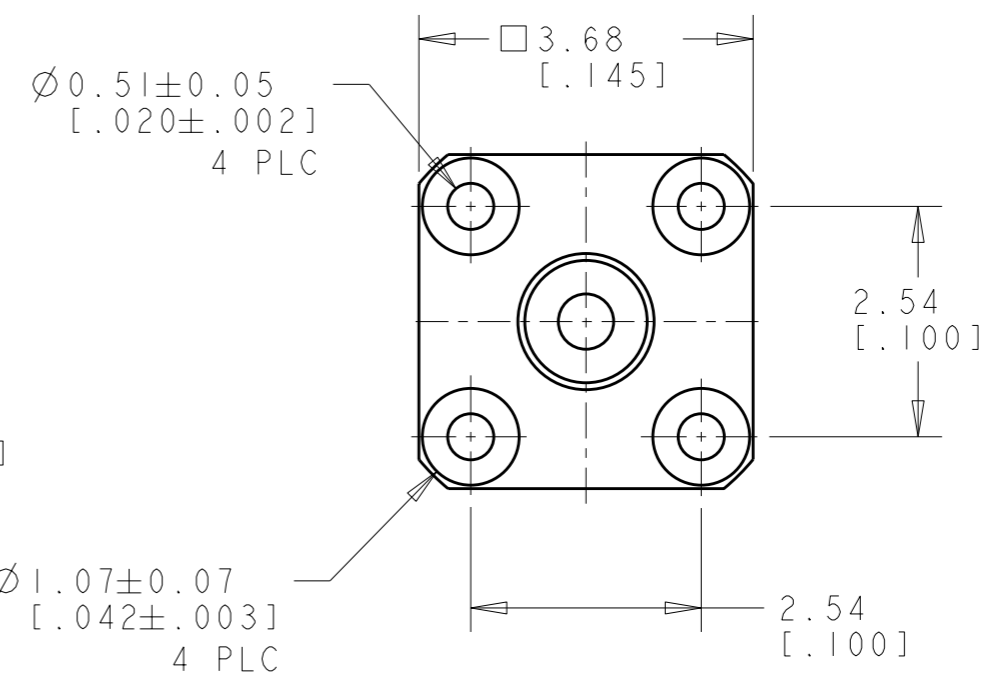
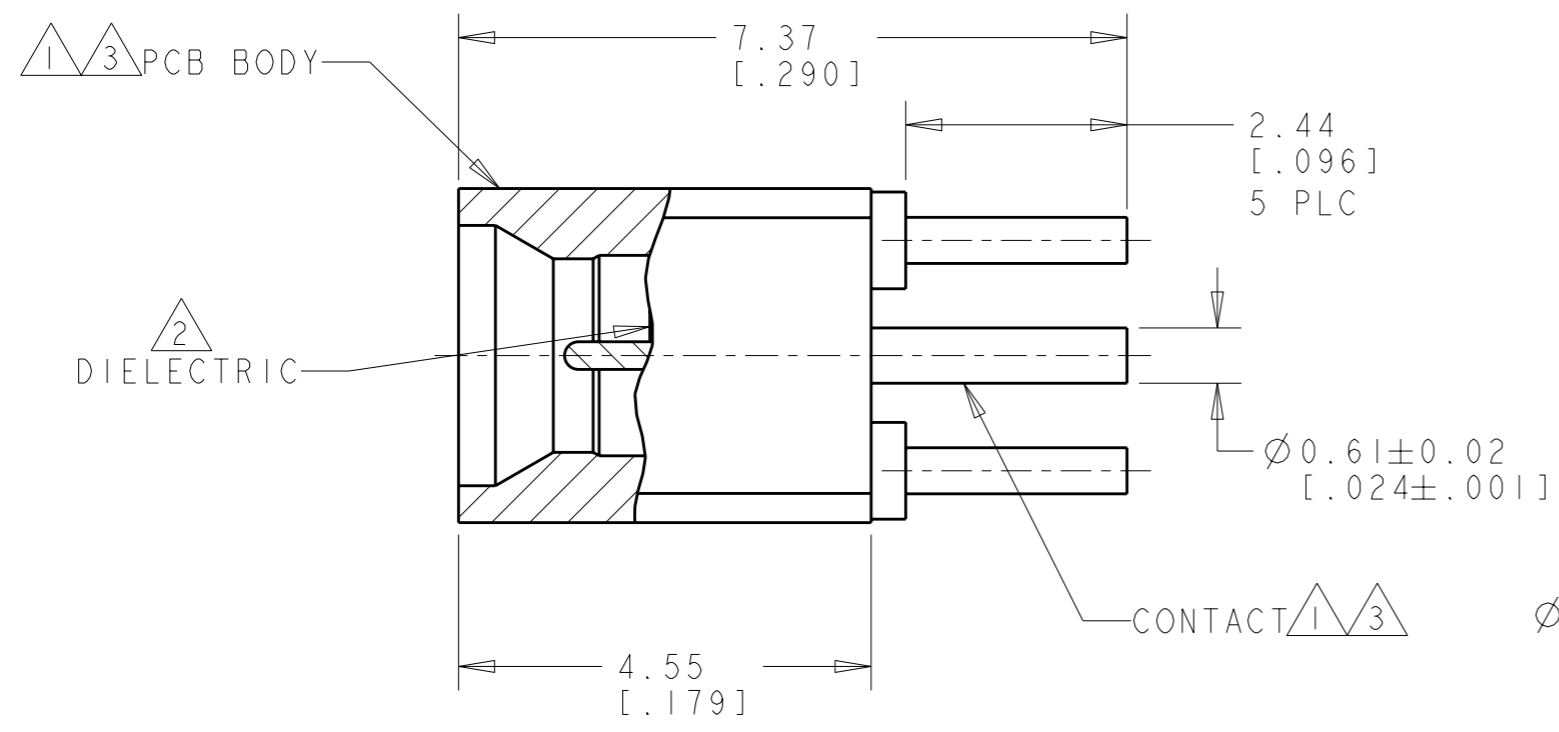
3

2

1

THIS DRAWING IS UNPUBLISHED. RELEASED FOR PUBLICATION
 © COPYRIGHT - BY - ALL RIGHTS RESERVED.

LOC		DIST		REVISIONS			
P	LTR	DESCRIPTION		DATE	DWN	APVD	
-	-	B		RELEASED PER ECO 11-013150	7-1-11	CT	BM



- 1 BERYLLIUM COPPER PER ASTM-B-196
- 2 TFE FLUOROCARBON PER ASTM-D-1710
- 3 GOLD PER ASTM-B-488
- 4. SMPM INTERFACE PER MIL-STD-348A, FIGURE 328.2

1757644-1
 PART NUMBER

THIS DRAWING IS A CONTROLLED DOCUMENT.		DWN B. MOYER 27MAY2005	TE Connectivity													
DIMENSIONS: mm [INCHES]		CHK C.C. THOMAS 7-1-11														
TOLERANCES UNLESS OTHERWISE SPECIFIED:		APVD B. MOYER 7-1-11	NAME SMPM, MALE, VERTICAL, THRU-HOLE, PCB MOUNT, 50 OHM													
<table border="0"> <tr><td>0 PLC</td><td>±</td></tr> <tr><td>1 PLC</td><td>±0.0</td></tr> <tr><td>2 PLC</td><td>±.3 [.01]</td></tr> <tr><td>3 PLC</td><td>±.13 [.005]</td></tr> <tr><td>4 PLC</td><td>±0.000</td></tr> <tr><td>ANGLES</td><td>±1</td></tr> </table>		0 PLC	±	1 PLC	±0.0	2 PLC	±.3 [.01]	3 PLC	±.13 [.005]	4 PLC	±0.000	ANGLES	±1	PRODUCT SPEC -	SIZE A3	
0 PLC	±															
1 PLC	±0.0															
2 PLC	±.3 [.01]															
3 PLC	±.13 [.005]															
4 PLC	±0.000															
ANGLES	±1															
MATERIAL 1 2		APPLICATION SPEC -	CAGE CODE 300779	DRAWING NO C-1757644												
FINISH 3		WEIGHT -	RESTRICTED TO -													
CUSTOMER DRAWING			SCALE 12:1	SHEET 1 OF 1												
			REV B													

RECOMMENDED LAYOUT

X-ON Electronics

Largest Supplier of Electrical and Electronic Components

Click to view similar products for [RF Connectors / Coaxial Connectors](#) category:

Click to view products by [TE Connectivity](#) manufacturer:

Other Similar products are found below :

[8915-1511-000](#) [89674-0827](#) [6001-7071-019](#) [6002-7051-003](#) [6002-7551-202](#) [6059674-1](#) [619550-1](#) [630059-000](#) [M39030/3-01N](#) [6500-7071-046](#) [6769](#) [CX050L2AQ](#) [7002-1541-010](#) [7002-1542-011](#) [7004-1512-000](#) [7009-1511-004](#) [7010-1511-000](#) [7029-1511-060](#) [7101-1541-010](#) [7101-1571-002](#) [7105-1521-002](#) [7145-1521-002](#) [7203-1571-003](#) [7209-1511-011](#) [7210-1511-015](#) [7210-1511-019](#) [73137-5015](#) [73216-2241](#) [73404-2300](#) [7405-1521-005](#) [7405-1521-802](#) [8527](#) [8547](#) [FS11V](#) [877931](#) [9049-9513-000](#) [9074-9513-000](#) [9101-9573-002](#) [910A205F](#) [9130-9573-002](#) [PL11SC-026](#) [PL375-33](#) [PL40-5](#) [PL74C-221](#) [PL75MC-217](#) [PL803-7](#) [1200690078](#) [1-201144-1](#) [R107003010W](#) [R110A172100](#)