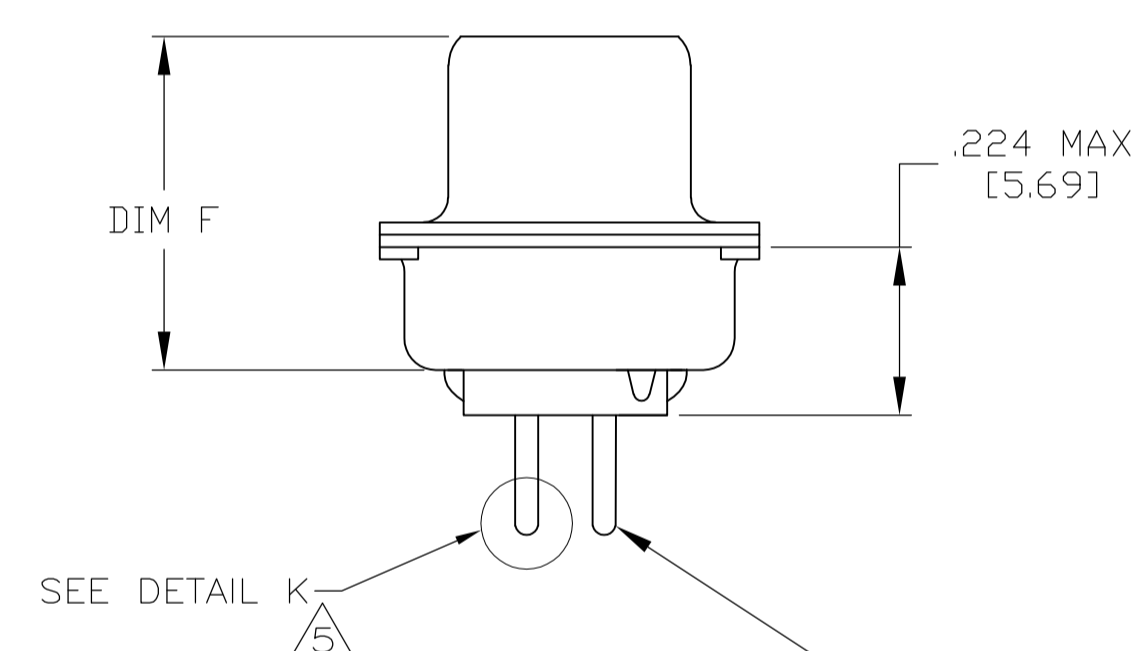
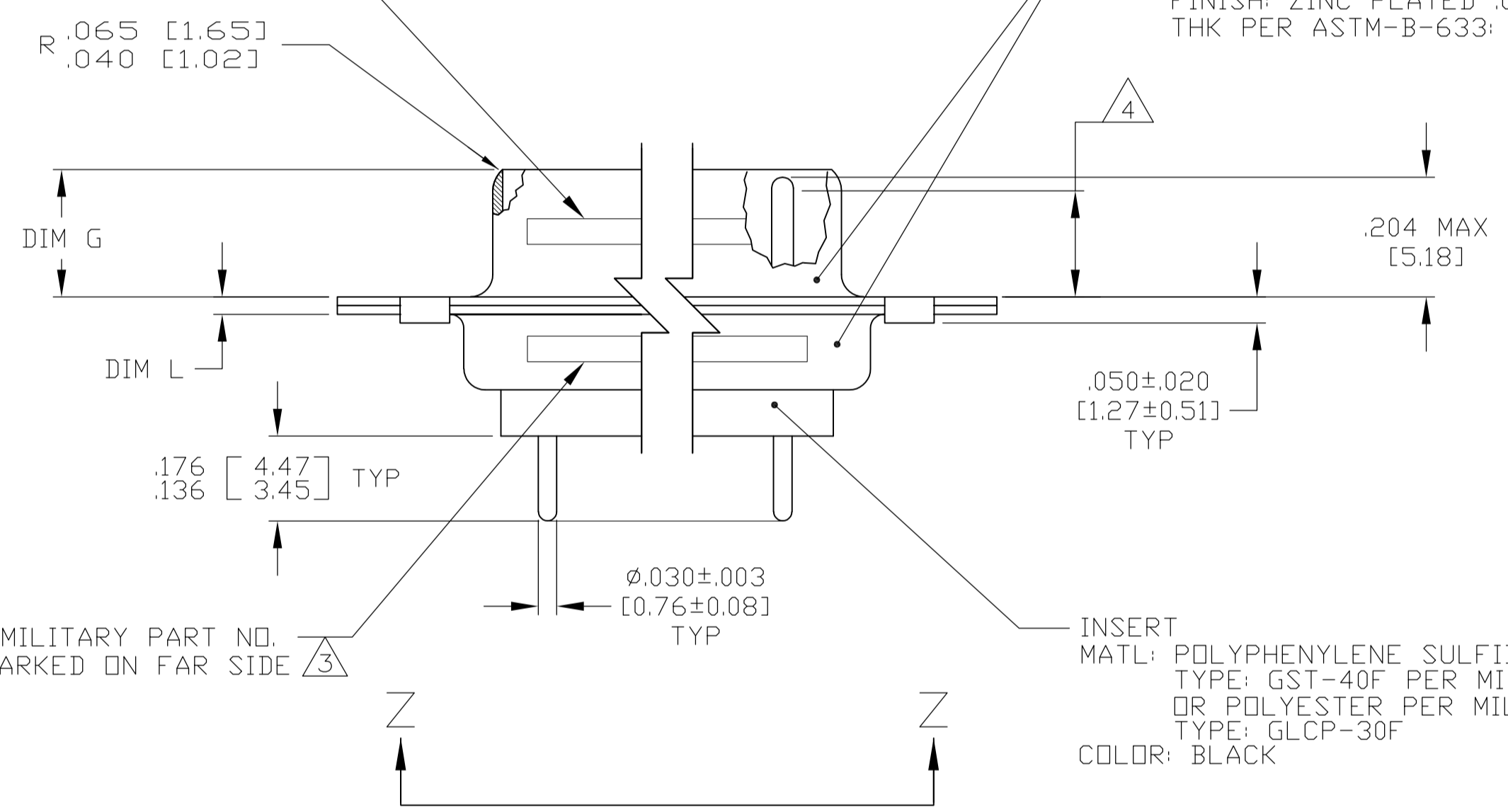


- 1. SEE SHEET 2 FOR RECOMMENDED P.C. BOARD LAYOUT. TRUE POSITION TOLERANCE FOR P.C. BOARD LAYOUT IS .010 [0.25] AT MAX MATERIAL CONDITION. SUGGESTED BOARD THICKNESS IS .062 [1.57]
- 2. THE CONNECTORS DESCRIBED IN THIS DOCUMENT MEET THE REQUIREMENTS OF MIL-C-24308 AND MATE WITH ANY PLUG CONNECTOR WITH SAME INSERT ARRANGEMENT.
- 3. MARKED WITH .047 [1.19]-.062 [1.57] HIGH CHARACTERS. FAR SIDE REFERS TO THE WIDE SIDE OF THE KEYSTONE. NEAR SIDE REFERS TO THE NARROW SIDE OF THE KEYSTONE. IF THE SHELL IS TOO SMALL FOR ENTIRE MARKING MARKING SHALL BE SPLIT AS FOLLOWS:
 - A. "M24308" ON FRONT SHELL, FAR SIDE.
 - B. SLASH SHEET AND DASH NUMBER ON REAR SHELL, FAR SIDE.
 - C. "MFG'S" (NAME, BRAND OR LOGO) AND DATE CODE ON FRONT SHELL, NEAR SIDE.
 - D. MFG'S PART NUMBER ON REAR SHELL, NEAR SIDE.
- 4. REQUIREMENT FOR FULL PIN DIAMETER EXTENSION: .159 [4.04] MIN FOR SHELL SIZE 1 THRU 2; .150 [3.81] MIN FOR SHELL SIZE 3, 4 & 5.
- 5. SOLDER DIPPED PER J-STD-001 WITH Sn63 SOLDER PER J-STD-006 IN THE ENTIRE AREA OF DIMENSION SHOWN. (1757827-6 THRU -10 ONLY.)
- 6. MEETS SOLDERABILITY PER MIL-STD-202 METHOD 208.
- 7. SPACERS (QTY = 2) ARE SUPPLIED WITH CONNECTOR; NOT ATTACHED.

MFG'S (NAME, BRAND OR LOGO), MFG'S PART NO. AND DATE CODE MARKED ON FAR SIDE

SHELL, FRONT & REAR
MATL: STEEL PER ASTM A 109 OR EQUIVALENT
FINISH: ZINC PLATED .000200 [0.0051] MIN THK PER ASTM-B-633; YELLOW CHROMATE



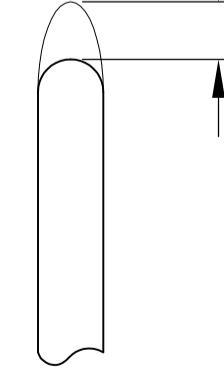
CONTACT (QTY = NO. OF POSN)
MATL: BRASS PER ASTM-B-16, OR BERYLLIUM COPPER PER ASTM-B-194
FINISH: GOLD PER ASTM-B-488, TYPE II, GRADE C, CLASS 1.27 IN CONTACT MATING AREA, .000010 [0.0003] MIN THK GOLD PER ASTM-B-488 OVER .000050 [0.0013] MIN THK NICKEL PER SAE-AMS-QQ-N-290 ON CONTACT BODY

INSERT
MATL: POLYPHENYLENE SULFIDE (PPS) TYPE: GST-40F PER MIL-M-24519, OR POLYESTER PER MIL-M-24519, TYPE: GLCP-30F
COLOR: BLACK

MILITARY PART NO. MARKED ON FAR SIDE 3

.049	[1.24]	.544	[13.82]	2.188	[55.58]	.236	[5.99]	.436	[11.07]	.620	[15.75]	.446	[11.33]	2.411	[61.24]	2.084	[52.93]	2.650	[67.31]	MS18277-1	50	5	M24308/24-5Z	1757827-5	1-1757827-0
.029	[0.74]	.524	[13.31]	2.168	[55.07]	.224	[5.69]	.416	[10.57]	.590	[14.99]	.436	[11.07]	2.401	[60.99]	2.074	[52.68]	2.620	[66.55]	MS18277-1	50	5	M24308/24-5Z	1757827-5	1757827-5
.049	[1.24]	.432	[10.97]	2.282	[57.96]	.236	[5.99]	.436	[11.07]	.509	[12.93]	.334	[8.48]	2.505	[63.63]	2.187	[55.55]	2.744	[69.70]	MS18276-1	37	4	M24308/24-4Z	1757827-4	1757827-9
.029	[0.74]	.412	[10.46]	2.262	[57.45]	.224	[5.69]	.416	[10.57]	.479	[12.17]	.324	[8.23]	2.495	[63.37]	2.177	[55.30]	2.714	[68.94]	MS18276-1	37	4	M24308/24-4Z	1757827-4	1757827-4
.049	[1.24]	.432	[10.97]	1.635	[41.53]	.236	[5.99]	.436	[11.07]	.509	[12.93]	.334	[8.48]	1.857	[47.17]	1.539	[39.09]	2.103	[53.42]	MS18275-1	25	3	M24308/24-3Z	1757827-3	1757827-8
.029	[0.74]	.412	[10.46]	1.615	[41.02]	.224	[5.69]	.416	[10.57]	.479	[12.17]	.324	[8.23]	1.847	[46.91]	1.529	[38.84]	2.073	[52.65]	MS18275-1	25	3	M24308/24-3Z	1757827-3	1757827-3
.040	[1.02]	.432	[10.97]	1.093	[27.76]	.238	[6.05]	.432	[10.97]	.509	[12.93]	.334	[8.48]	1.317	[33.45]	.999	[25.37]	1.556	[39.52]	MS18274-1	15	2	M24308/24-2Z	1757827-2	1757827-7
.020	[0.51]	.412	[10.46]	1.073	[27.25]	.229	[5.82]	.412	[10.46]	.479	[12.17]	.324	[8.23]	1.307	[33.20]	.989	[25.12]	1.526	[38.76]	MS18274-1	15	2	M24308/24-2Z	1757827-2	1757827-2
.040	[1.02]	.432	[10.97]	.769	[19.53]	.238	[6.05]	.432	[10.97]	.509	[12.93]	.334	[8.48]	.989	[25.12]	.671	[17.04]	1.228	[31.19]	MS18273-1	9	1	M24308/24-1Z	1757827-1	1757827-6
.020	[0.51]	.412	[10.46]	.749	[19.02]	.229	[5.82]	.412	[10.46]	.479	[12.17]	.324	[8.23]	.979	[24.87]	.661	[16.79]	1.198	[30.43]	MS18273-1	9	1	M24308/24-1Z	1757827-1	1757827-6
.049	[1.24]	.544	[13.82]	2.188	[55.58]	.236	[5.99]	.436	[11.07]	.620	[15.75]	.446	[11.33]	2.411	[61.24]	2.084	[52.93]	2.650	[67.31]	MS18277-1	50	5	M24308/24-5Z	1757827-5	1757827-5
.029	[0.74]	.524	[13.31]	2.168	[55.07]	.224	[5.69]	.416	[10.57]	.590	[14.99]	.436	[11.07]	2.401	[60.99]	2.074	[52.68]	2.620	[66.55]	MS18277-1	50	5	M24308/24-5Z	1757827-5	1757827-5
.049	[1.24]	.432	[10.97]	2.282	[57.96]	.236	[5.99]	.436	[11.07]	.509	[12.93]	.334	[8.48]	2.505	[63.63]	2.187	[55.55]	2.744	[69.70]	MS18276-1	37	4	M24308/24-4Z	1757827-4	1757827-4
.029	[0.74]	.412	[10.46]	2.262	[57.45]	.224	[5.69]	.416	[10.57]	.479	[12.17]	.324	[8.23]	2.495	[63.37]	2.177	[55.30]	2.714	[68.94]	MS18276-1	37	4	M24308/24-4Z	1757827-4	1757827-4
.049	[1.24]	.432	[10.97]	1.635	[41.53]	.236	[5.99]	.436	[11.07]	.509	[12.93]	.334	[8.48]	1.857	[47.17]	1.539	[39.09]	2.103	[53.42]	MS18275-1	25	3	M24308/24-3Z	1757827-3	1757827-3
.029	[0.74]	.412	[10.46]	1.615	[41.02]	.224	[5.69]	.416	[10.57]	.479	[12.17]	.324	[8.23]	1.847	[46.91]	1.529	[38.84]	2.073	[52.65]	MS18275-1	25	3	M24308/24-3Z	1757827-3	1757827-3
.040	[1.02]	.432	[10.97]	1.093	[27.76]	.238	[6.05]	.432	[10.97]	.509	[12.93]	.334	[8.48]	1.317	[33.45]	.999	[25.37]	1.556	[39.52]	MS18274-1	15	2	M24308/24-2Z	1757827-2	1757827-2
.020	[0.51]	.412	[10.46]	1.073	[27.25]	.229	[5.82]	.412	[10.46]	.479	[12.17]	.324	[8.23]	1.307	[33.20]	.989	[25.12]	1.526	[38.76]	MS18274-1	15	2	M24308/24-2Z	1757827-2	1757827-2
.040	[1.02]	.432	[10.97]	.769	[19.53]	.238	[6.05]	.432	[10.97]	.509	[12.93]	.334	[8.48]	.989	[25.12]	.671	[17.04]	1.228	[31.19]	MS18273-1	9	1	M24308/24-1Z	1757827-1	1757827-1
.020	[0.51]	.412	[10.46]	.749	[19.02]	.229	[5.82]	.412	[10.46]	.479	[12.17]	.324	[8.23]	.979	[24.87]	.661	[16.79]	1.198	[30.43]	MS18273-1	9	1	M24308/24-1Z	1757827-1	1757827-1
L	J	H	G	F	E	D	C	B	A	INSERT ARRANGEMENT	NO OF POS	SHELL SIZE	MILITARY P/N ON CONNECTOR	MFG'S P/N ON CONNECTOR	PART NUMBER										

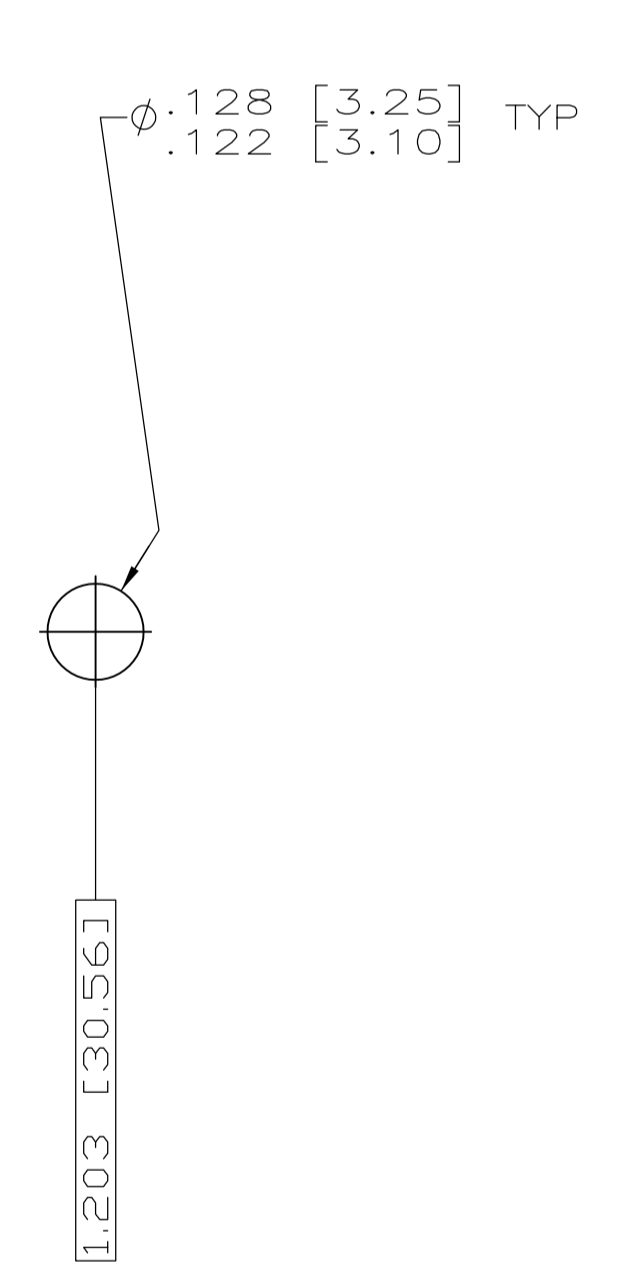
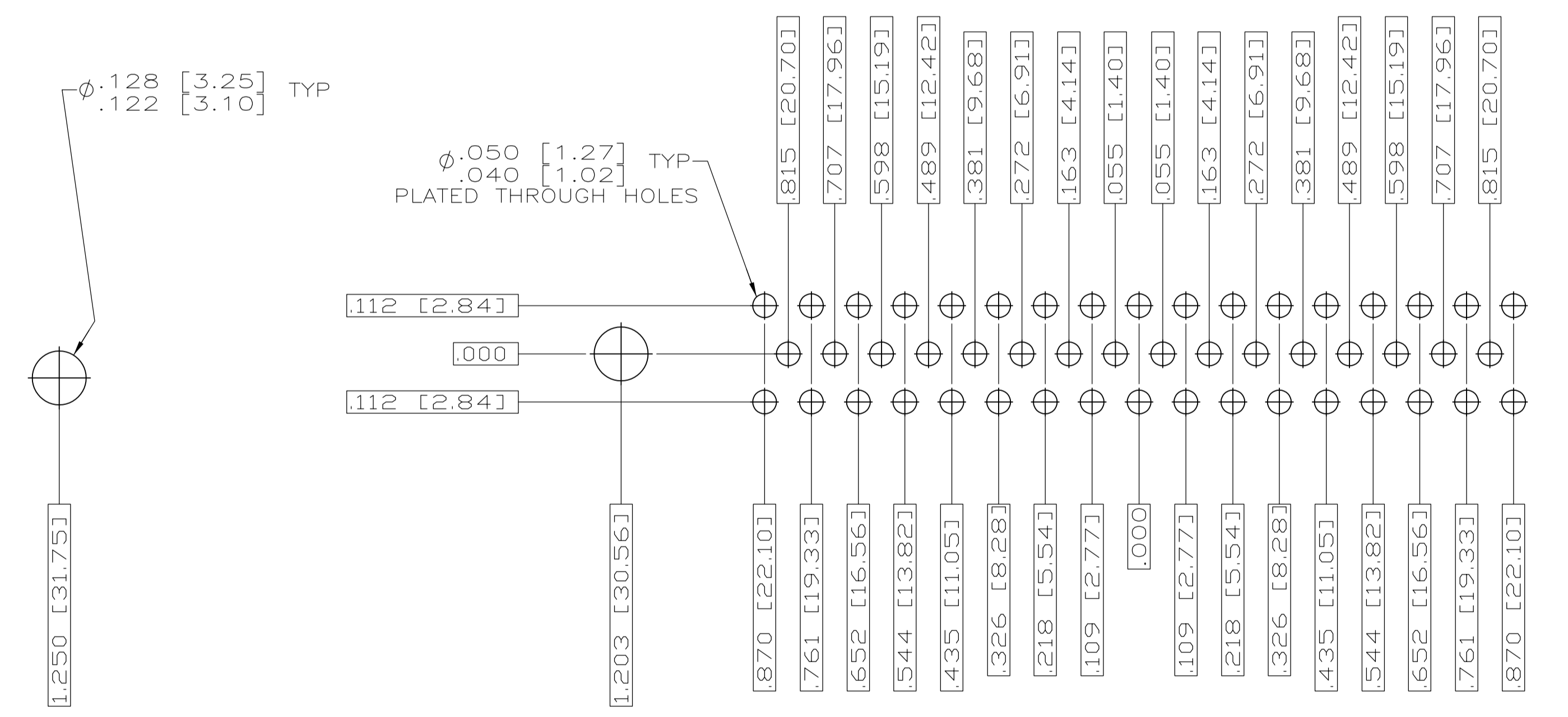
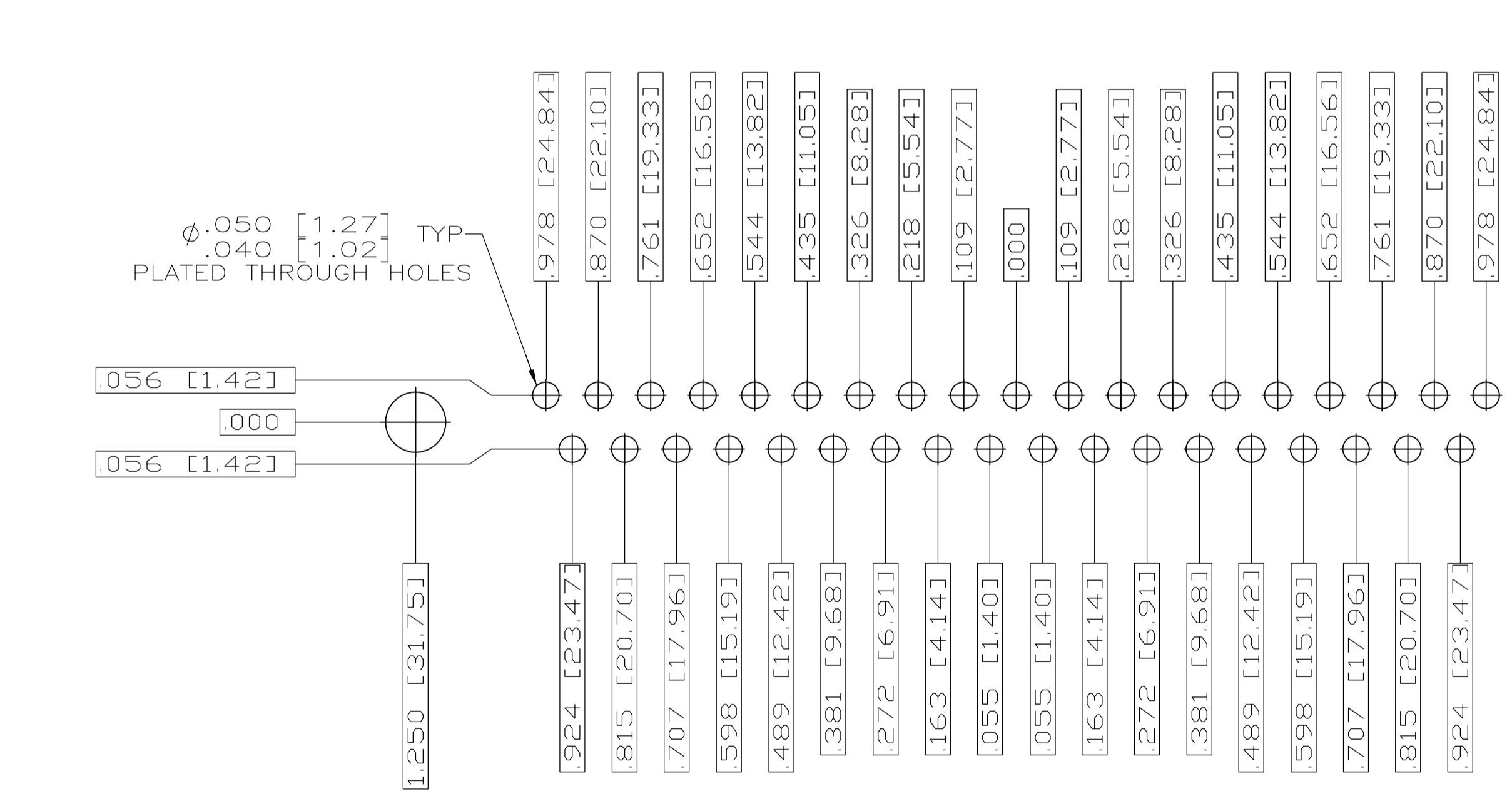
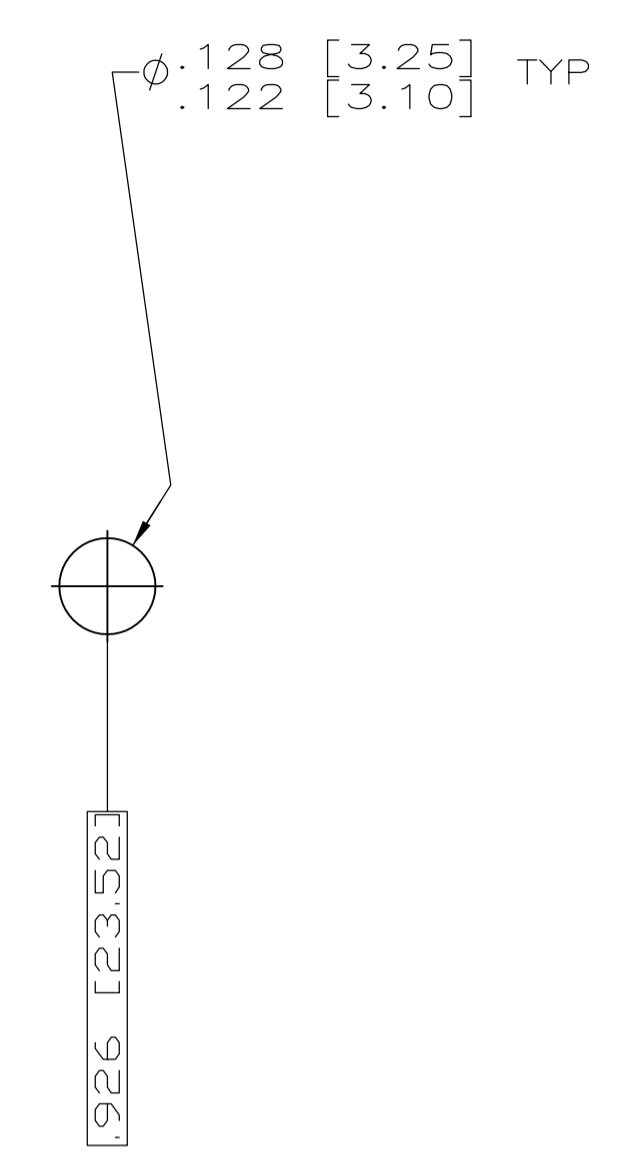
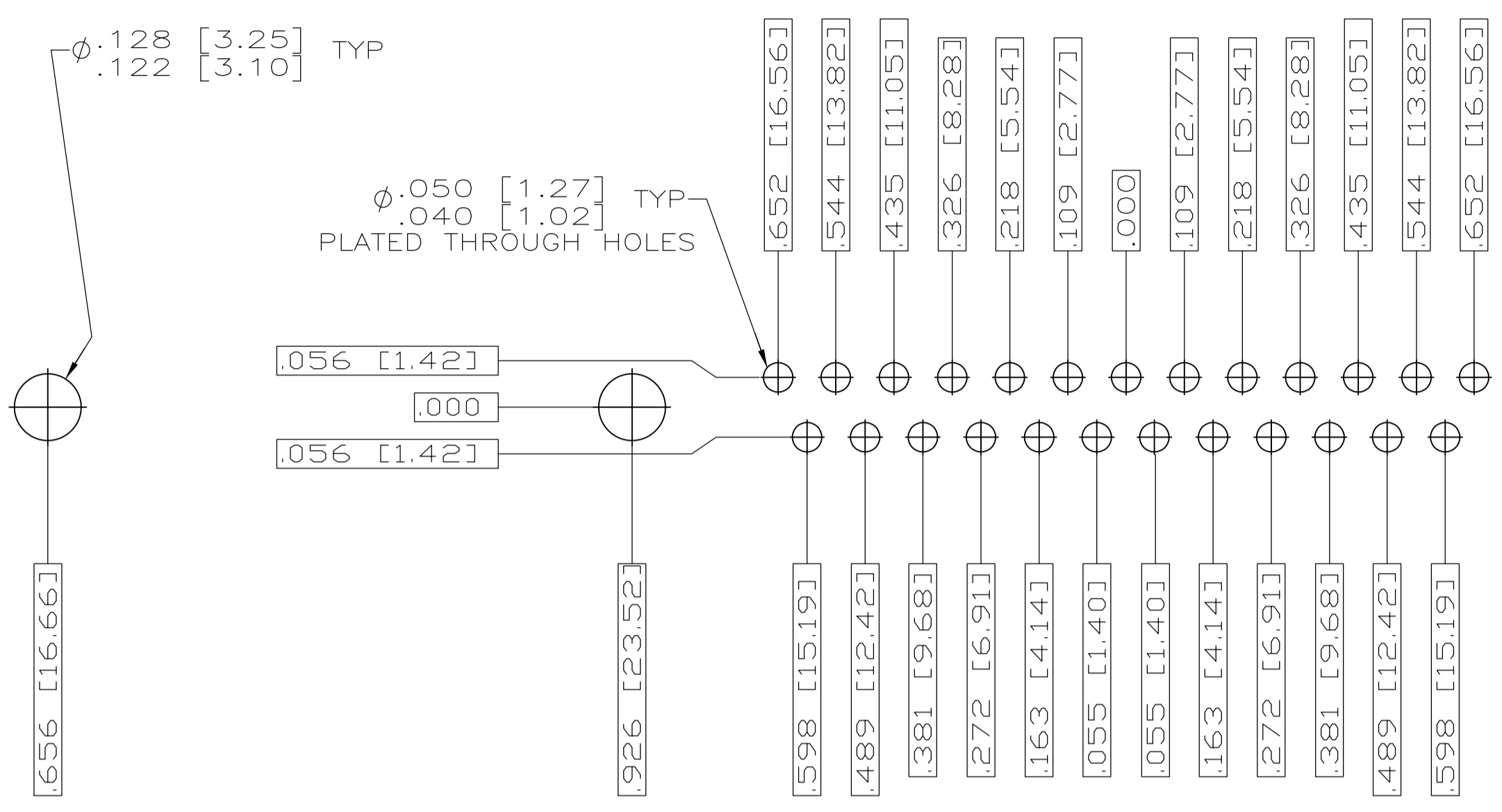
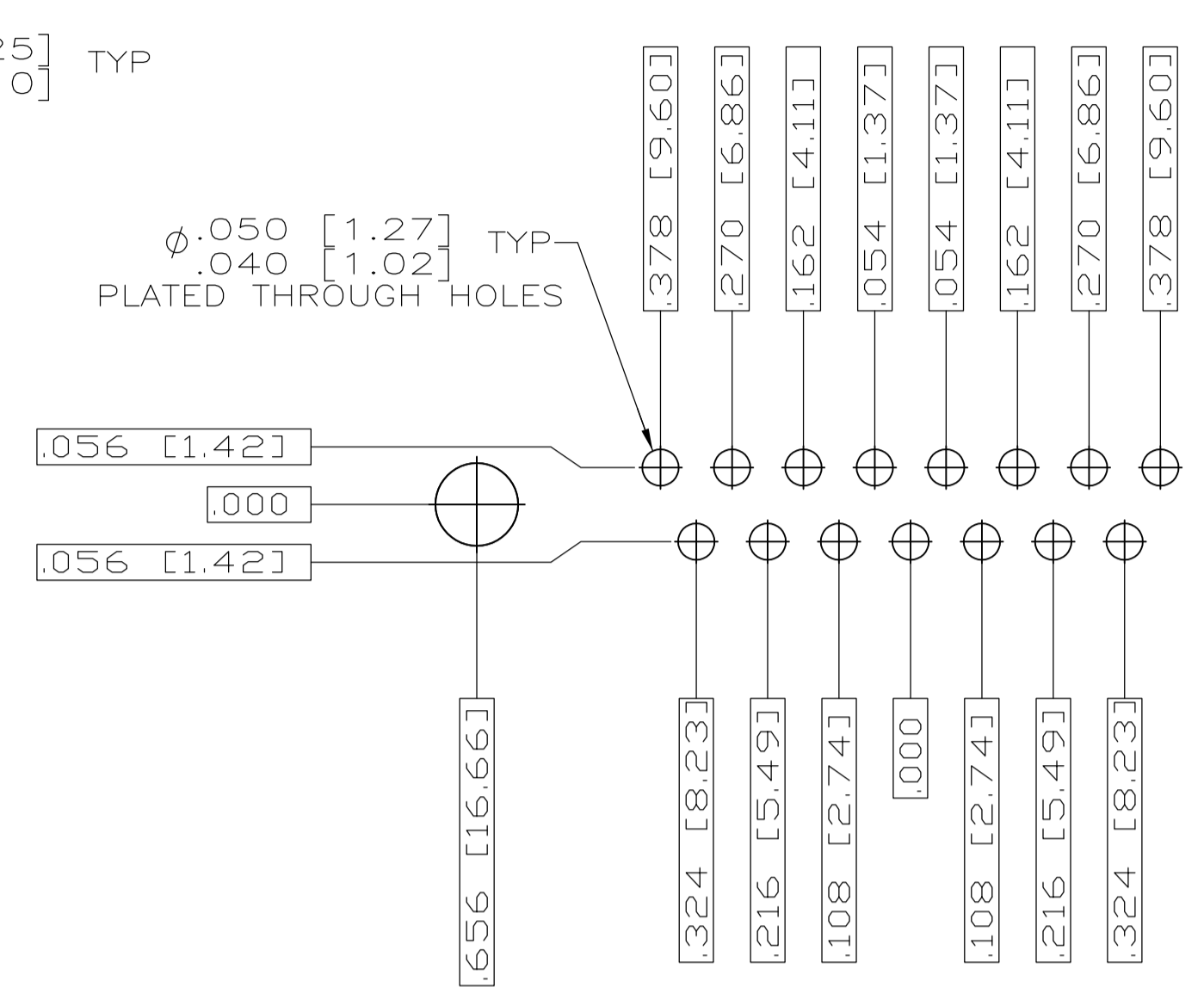
.030 [0.76] MAX EXTENSION PERMISSIBLE DUE TO SOLDER DIPPING



DETAIL K SCALE 10:1 FOR 1757827-6 THRU -10 ONLY

THIS DRAWING IS A CONTROLLED DOCUMENT.

DIMENSIONS: INCHES	TOLERANCES UNLESS OTHERWISE SPECIFIED:	DMN: C.C. THOMAS 3-28-06	APVD: D. MILLER 3-29-06	NAME: PLUG ASSEMBLY, AMPLIMITE, POSTED SERIES 109, SIZE 1 THRU 5
0 PLC ± .005	1 PLC ± .005	CHK: D. MILLER	DATE: 3-29-06	PRODUCT SPEC: -
2 PLC ± .005	3 PLC ± .005 [0.13]	APVD: D. MILLER 3-29-06	NAME: -	APPLICATION SPEC: -
4 PLC ± .005	ANGLES ± .1°	DATE: 3-29-06	NAME: -	APPLICATION SPEC: -
MATERIAL: SEE CALLOUTS	FINISH: SEE CALLOUTS	WEIGHT: -	SIZE: A1	RESTRICTED TO: -
CUSTOMER DRAWING		SCALE: 4:1	SHEET: 1 OF 2	REV: C



THIS DRAWING IS A CONTROLLED DOCUMENT.		DN C.C.THOMAS 3-27-06	TE Connectivity
DIMENSIONS: INCHES		CHK D.MILLER 3-28-06	
TOLERANCES UNLESS OTHERWISE SPECIFIED:		APVD D.MILLER 3-28-06	NAME PLUG ASSEMBLY,AMPLIMITE SERIES 109,SIZE 1 THRU 5
0 PL ± .010 1 PL ± .005 2 PL ± .003 3 PL ± .002 4 PL ± .001 ANGLES ± .1°	FINISH SEE CALLOUTS	APPLICATION SPEC WEIGHT CUSTOMER DRAWING	SIZE A1 CAGE CODE 00779 DRAWING NO 1757827 RESTRICTED TO SCALE 4:1 SHEET 2 OF 2 REV C

X-ON Electronics

Largest Supplier of Electrical and Electronic Components

Click to view similar products for [D-Sub MIL Spec Connectors](#) category:

Click to view products by [TE Connectivity](#) manufacturer:

Other Similar products are found below :

[M85049/50-5F](#) [D38999/24WG11PB-LC](#) [MDM-9SH006A](#) [1218697-4](#) [D38999/26WJ61PC L/C](#) [1484349-1](#) [17D25HV](#) [1996840-1](#) [243082-15](#)
[1757682-1](#) [17D-E51218-1](#) [17SDA15S](#) [1883533-1](#) [1883886-1](#) [1883889-1](#) [192900-0377](#) [M24308/8-347](#) [M83513/03-E09C](#) [443961-3](#) [5-](#)
[1218949-1](#) [550-031NF1R6K](#) [3-1236089-2](#) [550E001NF1R3J0L](#) [550T001NF1R6K0L](#) [557T283NF5B08](#) [DB121073-56](#) [DC121073157](#)
[443869-3](#) [443869-4](#) [443869-5](#) [550S004NF1R1B0F03](#) [557E283NF1A06](#) [527-019NF0303R2K1F](#) [5-446405-1](#) [550-031NF1R2E](#)
[550E003M2R9J0F04](#) [550E003M3R9J0F05](#) [550E024M104R9J0](#) [550E024NF102R3J0B](#) [550E039NF1R3J1-02](#) [550S003M3R9B0F05](#)
[550S004M4R7M0F04](#) [550S004NF1R1B1F02](#) [550S008M3F0K0F04](#) [550S086M5R3J0L](#) [550S100NF3F0E](#) [550T001M2R7E0L](#)
[550T001NF1F0B1L](#) [550T001NF1R1K0G](#) [550T001NF1R3K0G](#)