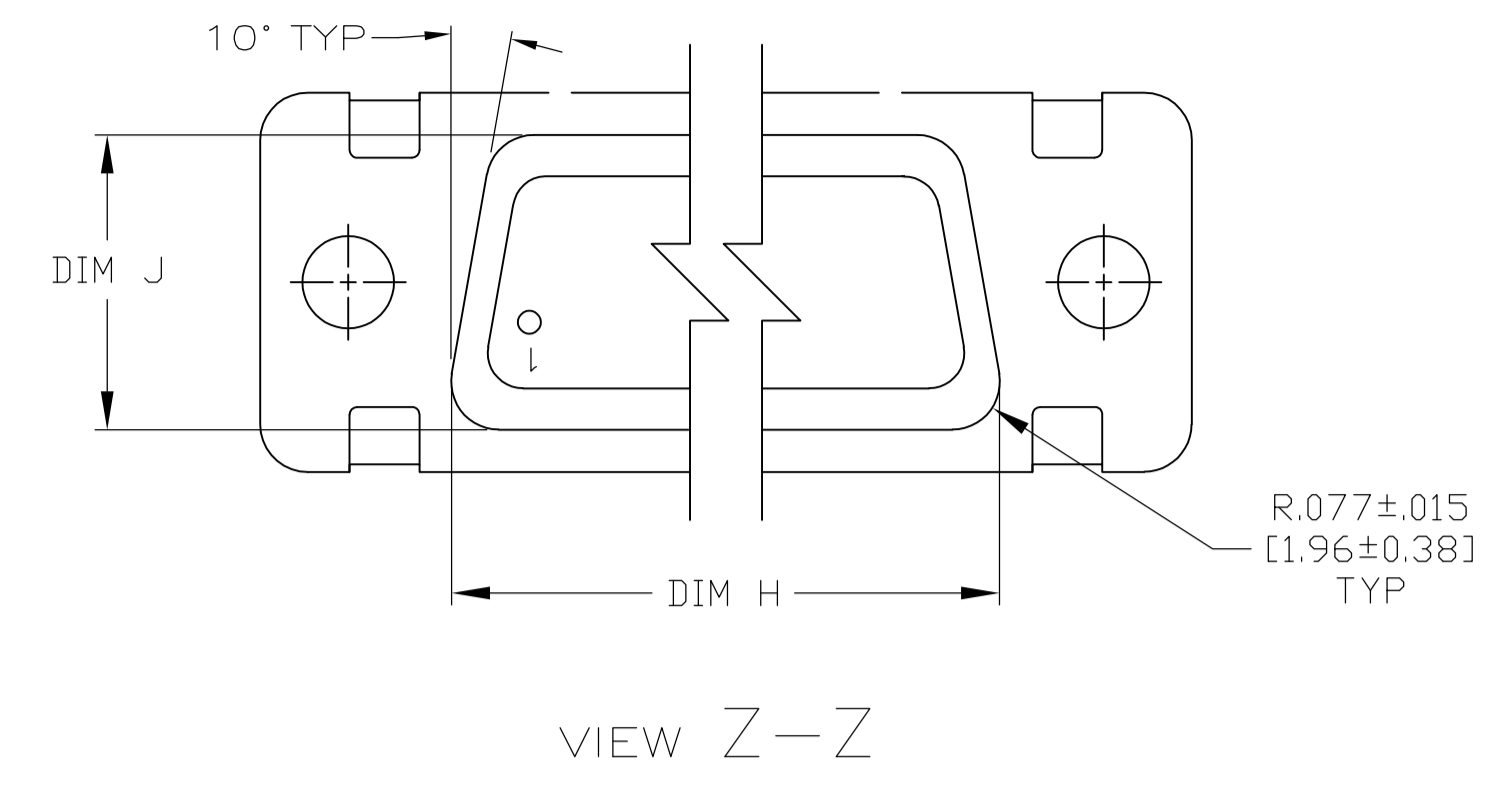
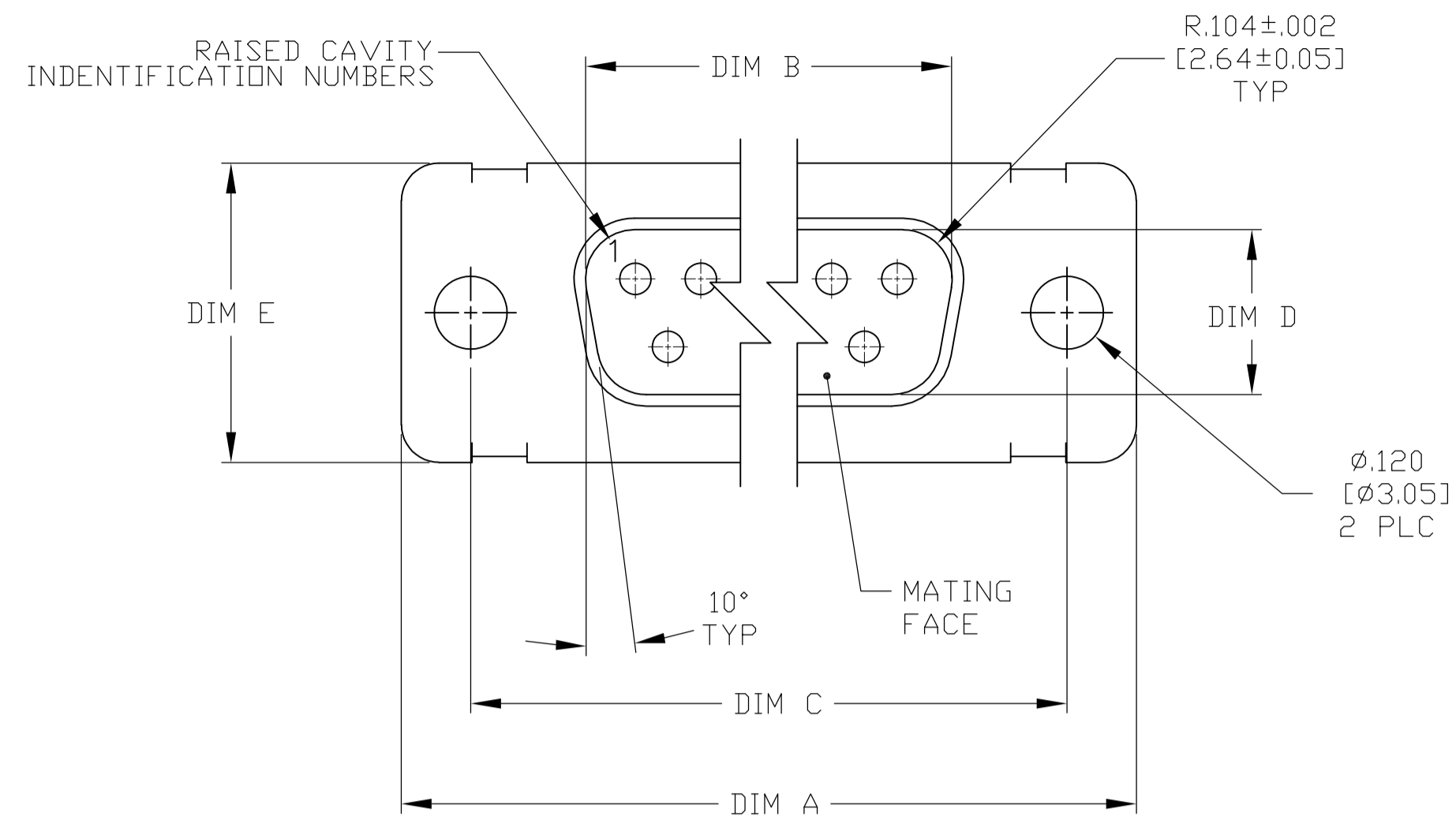
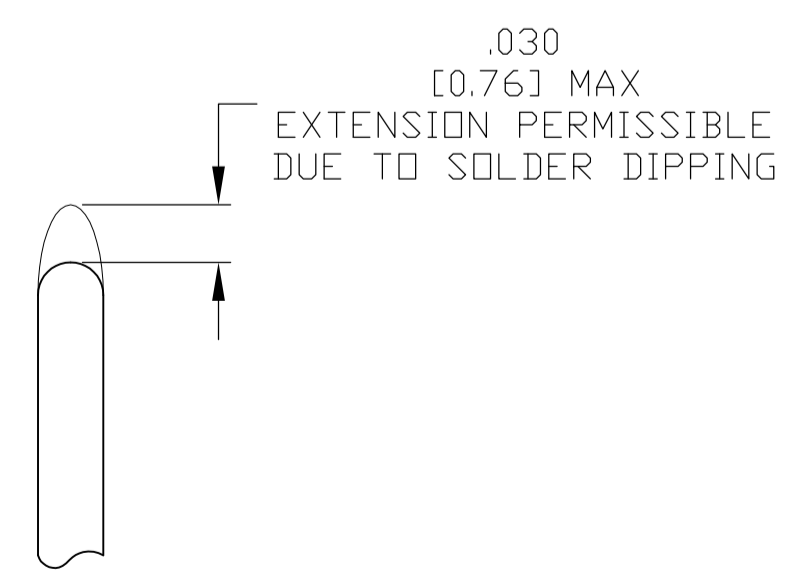
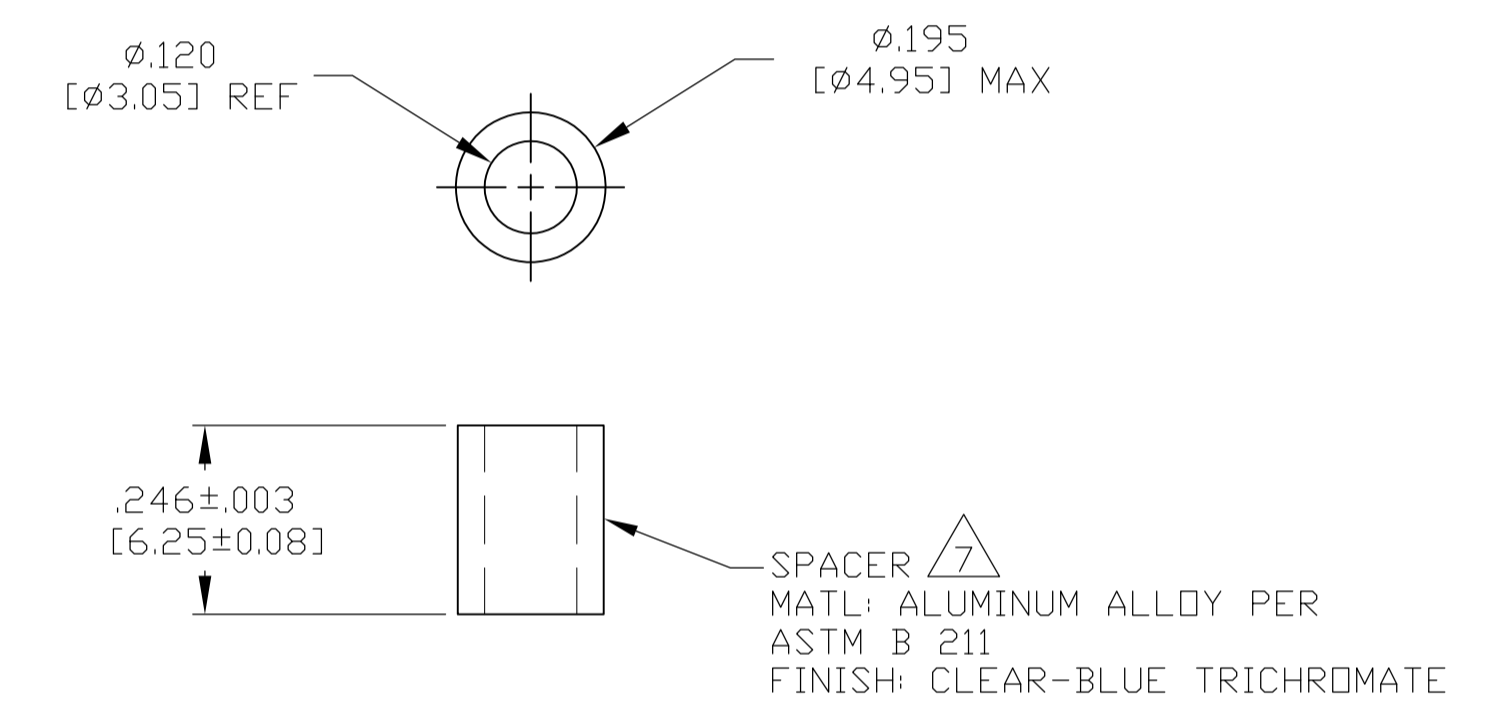
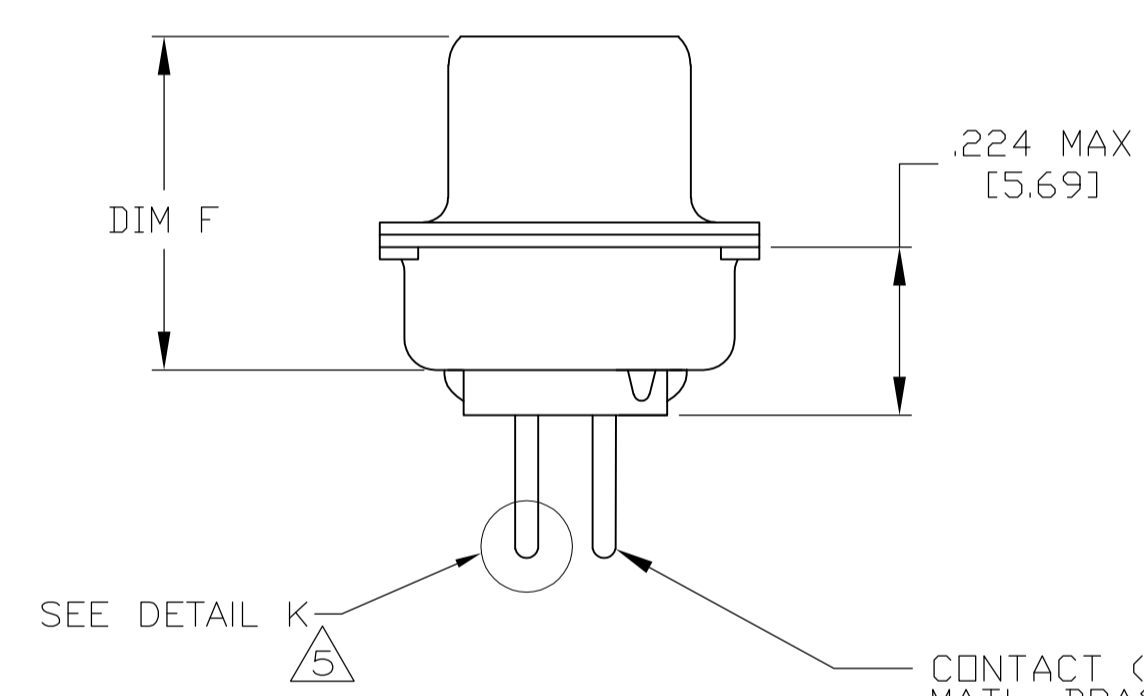
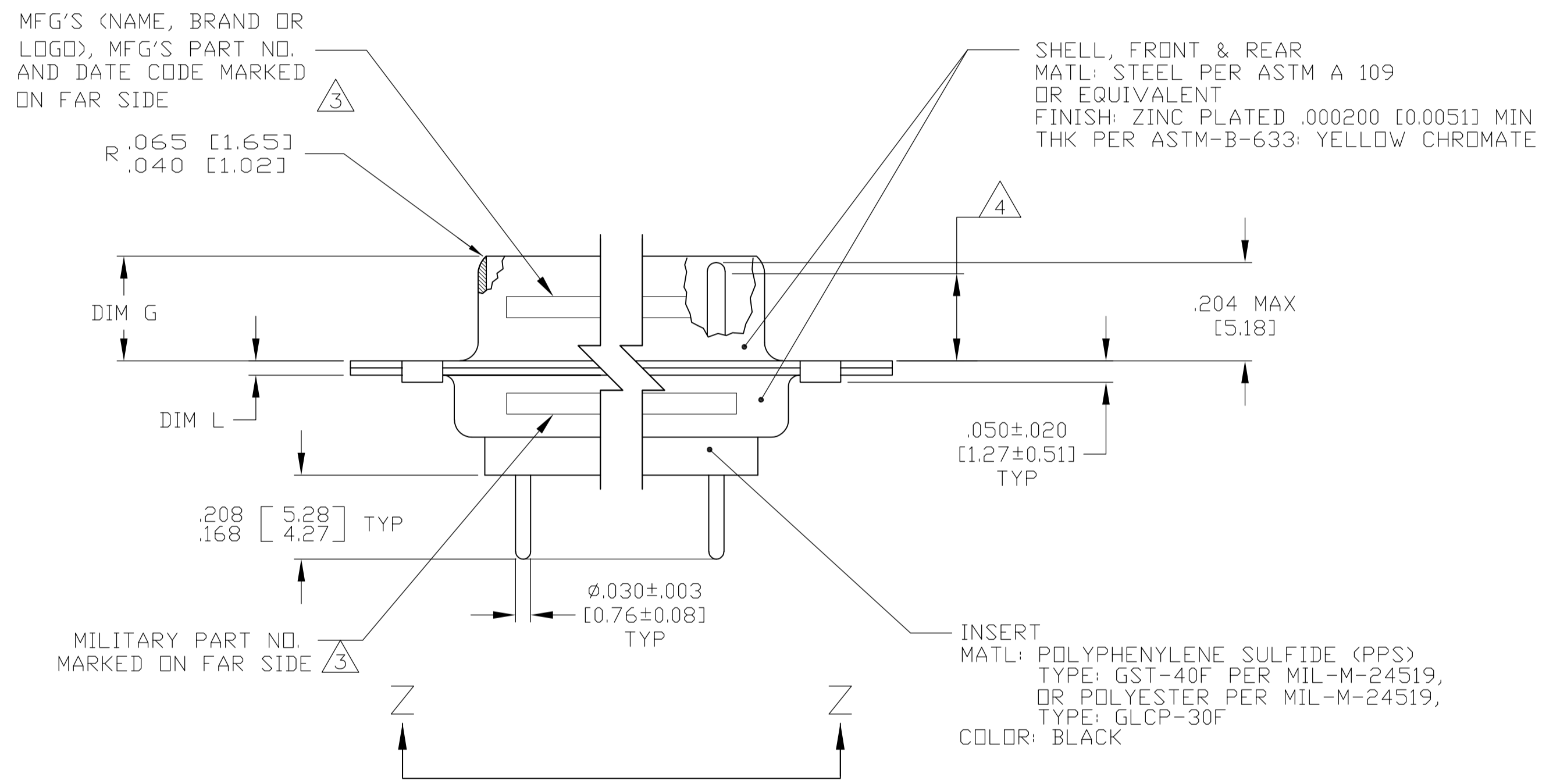


REVISONS		DATE	BY	APPV
DF	AO			
C	REVISED PER ECO-13-002055	06FEB2013	MGM	CT



1. SEE SHEET 2 FOR RECOMMENDED P.C. BOARD LAYOUT. TRUE POSITION TOLERANCE FOR P.C. BOARD LAYOUT IS .010 [0.25] AT MAX MATERIAL CONDITION. SUGGESTED BOARD THICKNESS IS .062 [1.57]
2. THE CONNECTORS DESCRIBED IN THIS DOCUMENT MEET THE REQUIREMENTS OF MIL-C-24308 AND MATE WITH ANY PLUG CONNECTOR WITH SAME INSERT ARRANGEMENT.
3. MARKED WITH .047 [1.19]-.062 [1.57] HIGH CHARACTERS. FAR SIDE REFERS TO THE WIDE SIDE OF THE KEYSTONE. NEAR SIDE REFERS TO THE NARROW SIDE OF THE KEYSTONE. IF THE SHELL IS TOO SMALL FOR THE ENTIRE MARKING MARKING SHALL BE SPLIT AS FOLLOWS:
 - A. "M24308" ON FRONT SHELL, FAR SIDE.
 - B. SLASH SHEET AND DASH NUMBER ON REAR SHELL, FAR SIDE.
 - C. "MFG'S" (NAME, BRAND OR LOGO) AND DATE CODE ON FRONT SHELL, NEAR SIDE.
 - D. MFG'S PART NUMBER ON REAR SHELL, NEAR SIDE.
4. REQUIREMENT FOR FULL PIN DIAMETER EXTENSION: .159 [4.04] MIN FOR SHELL SIZE 1 THRU 2; .150 [3.81] MIN FOR SHELL SIZE 3, 4 & 5.
5. SOLDER DIPPED PER J-STD-001 WITH Sn63 SOLDER PER J-STD-006 IN THE ENTIRE AREA OF DIMENSION SHOWN. (1757829-6 THRU -10 ONLY.)
6. MEETS SOLDERABILITY PER MIL-STD-202 METHOD 208.
7. SPACERS (QTY = 2) ARE SUPPLIED WITH CONNECTOR; NOT ATTACHED.



L	J	H	G	F	E	D	C	B	A	ARRANGEMENT	NO OF POS	SHELL SIZE	MILITARY P/N ON CONNECTOR	MFG'S P/N ON CONNECTOR	PART NUMBER										
.049 .029	[1.24 [0.74]	.544 .524	[13.82 [13.31]	2.188 2.168	[55.58 [55.07]	.236 .224	[5.99 [5.69]	.436 .416	[11.07 [10.57]	.620 .590	[15.75 [14.99]	.446 .436	[11.33 [11.07]	2.411 2.401	[61.24 [60.99]	2.084 2.074	[52.93 [52.68]	2.650 2.620	[67.31 [66.55]	MS18277-1	50	5	M24308/24-11Z	1757829-5	1-1757829-0
.049 .029	[1.24 [0.74]	.432 .412	[10.97 [10.46]	2.282 2.262	[57.96 [57.45]	.236 .224	[5.99 [5.69]	.436 .416	[11.07 [10.57]	.509 .479	[12.93 [12.17]	.334 .324	[8.48 [8.23]	2.505 2.495	[63.63 [63.37]	2.187 2.177	[55.55 [55.30]	2.744 2.714	[69.70 [68.94]	MS18276-1	37	4	M24308/24-10Z	1757829-4	1757829-9
.049 .029	[1.24 [0.74]	.432 .412	[10.97 [10.46]	1.635 1.615	[41.53 [41.02]	.236 .224	[5.99 [5.69]	.436 .416	[11.07 [10.57]	.509 .479	[12.93 [12.17]	.334 .324	[8.48 [8.23]	1.857 1.847	[47.17 [46.91]	1.539 1.529	[39.09 [38.84]	2.103 2.073	[53.42 [52.65]	MS18275-1	25	3	M24308/24-9Z	1757829-3	1757829-8
.040 .020	[1.02 [0.51]	.432 .412	[10.97 [10.46]	1.093 1.073	[27.76 [27.25]	.238 .229	[6.05 [5.82]	.432 .412	[10.97 [10.46]	.509 .479	[12.93 [12.17]	.334 .324	[8.48 [8.23]	1.317 1.307	[33.45 [33.20]	.999 .989	[25.37 [25.12]	1.556 1.526	[39.52 [38.76]	MS18274-1	15	2	M24308/24-8Z	1757829-2	1757829-7
.040 .020	[1.02 [0.51]	.432 .412	[10.97 [10.46]	.769 .749	[19.53 [19.02]	.238 .229	[6.05 [5.82]	.432 .412	[10.97 [10.46]	.509 .479	[12.93 [12.17]	.334 .324	[8.48 [8.23]	.989 .979	[25.12 [24.87]	.671 .661	[17.04 [16.79]	1.228 1.198	[31.19 [30.43]	MS18273-1	9	1	M24308/24-7Z	1757829-1	1757829-6
.049 .029	[1.24 [0.74]	.544 .524	[13.82 [13.31]	2.188 2.168	[55.58 [55.07]	.236 .224	[5.99 [5.69]	.436 .416	[11.07 [10.57]	.620 .590	[15.75 [14.99]	.446 .436	[11.33 [11.07]	2.411 2.401	[61.24 [60.99]	2.084 2.074	[52.93 [52.68]	2.650 2.620	[67.31 [66.55]	MS18277-1	50	5	M24308/24-11Z	1757829-5	1757829-5
.049 .029	[1.24 [0.74]	.432 .412	[10.97 [10.46]	2.282 2.262	[57.96 [57.45]	.236 .224	[5.99 [5.69]	.436 .416	[11.07 [10.57]	.509 .479	[12.93 [12.17]	.334 .324	[8.48 [8.23]	2.505 2.495	[63.63 [63.37]	2.187 2.177	[55.55 [55.30]	2.744 2.714	[69.70 [68.94]	MS18276-1	37	4	M24308/24-10Z	1757829-4	1757829-4
.049 .029	[1.24 [0.74]	.432 .412	[10.97 [10.46]	1.635 1.615	[41.53 [41.02]	.236 .224	[5.99 [5.69]	.436 .416	[11.07 [10.57]	.509 .479	[12.93 [12.17]	.334 .324	[8.48 [8.23]	1.857 1.847	[47.17 [46.91]	1.539 1.529	[39.09 [38.84]	2.103 2.073	[53.42 [52.65]	MS18275-1	25	3	M24308/24-9Z	1757829-3	1757829-3
.040 .020	[1.02 [0.51]	.432 .412	[10.97 [10.46]	1.093 1.073	[27.76 [27.25]	.238 .229	[6.05 [5.82]	.432 .412	[10.97 [10.46]	.509 .479	[12.93 [12.17]	.334 .324	[8.48 [8.23]	1.317 1.307	[33.45 [33.20]	.999 .989	[25.37 [25.12]	1.556 1.526	[39.52 [38.76]	MS18274-1	15	2	M24308/24-8Z	1757829-2	1757829-2
.040 .020	[1.02 [0.51]	.432 .412	[10.97 [10.46]	.769 .749	[19.53 [19.02]	.238 .229	[6.05 [5.82]	.432 .412	[10.97 [10.46]	.509 .479	[12.93 [12.17]	.334 .324	[8.48 [8.23]	.989 .979	[25.12 [24.87]	.671 .661	[17.04 [16.79]	1.228 1.198	[31.19 [30.43]	MS18273-1	9	1	M24308/24-7Z	1757829-1	1757829-1

DETAIL K SCALE 10:1 FOR 1757829-6 THRU -10 ONLY

THIS DRAWING IS A CONTROLLED DOCUMENT.

DIMENSIONS: INCHES	TOLERANCES UNLESS OTHERWISE SPECIFIED:	DIN C.C. THOMAS 3-28-06	TE Connectivity
0 PLC ± .005	1 PLC ± .005	3-29-06	
2 PLC ± .005	3 PLC ± .005		
4 PLC ± .005	ANGLES ± .1°		
MATERIAL SEE CALLOUTS	FINISH SEE CALLOUTS	WEIGHT	RESTRICTED TO
		A1 00779	1757829
CUSTOMER DRAWING		SCALE 4:1	SHEET 1 OF 2 REV C



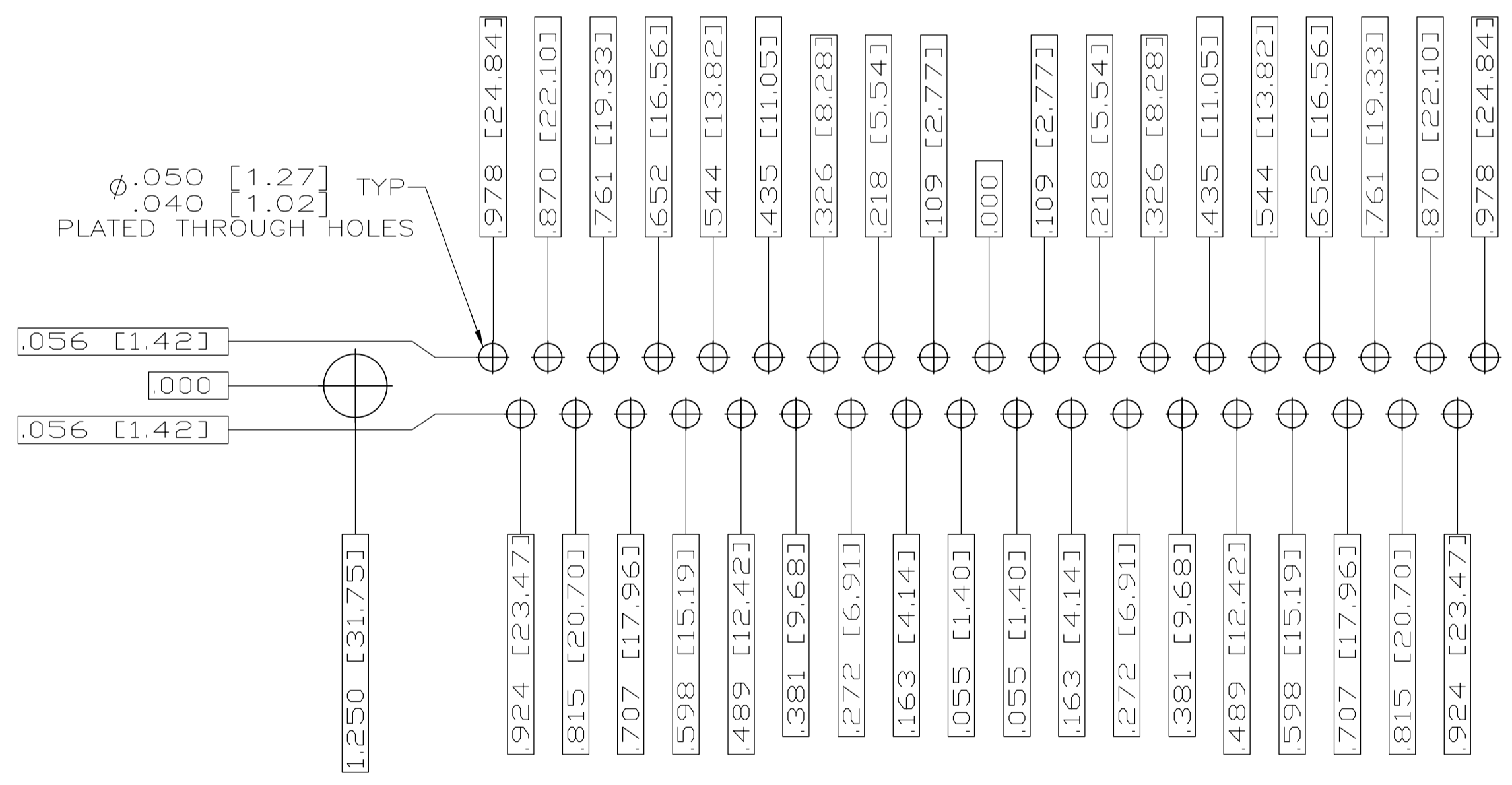
RECOMMENDED P.C. BOARD LAYOUT
SHELL SIZE 1 (9 POSITION) ⚠



RECOMMENDED P.C. BOARD LAYOUT
SHELL SIZE 2 (15 POSITION) ⚠



RECOMMENDED P.C. BOARD LAYOUT
SHELL SIZE 3 (25 POSITION) ⚠



RECOMMENDED P.C. BOARD LAYOUT
SHELL SIZE 4 (37 POSITION) ⚠



RECOMMENDED P.C. BOARD LAYOUT
SHELL SIZE 5 (50 POSITION) ⚠

THIS DRAWING IS A CONTROLLED DOCUMENT.		DN C.C.THOMAS 3-27-06	 TE Connectivity
DIMENSIONS: INCHES		CHK D.MILLER 3-28-06	
TOLERANCES UNLESS OTHERWISE SPECIFIED:		APVD D.MILLER 3-28-06	NAME PLUG ASSEMBLY,AMPLIMITE SERIES 109,SIZE 1 THRU 5
0 PLC 1 PLC 2 PLC 3 PLC 4 PLC ANGLES	± .001 ± .002 ± .003 ± .004 ± .005 ± .010	APPLICATION SPEC	RESTRICTED TO
MATERIAL SEE CALLOUTS	FINISH SEE CALLOUTS	WEIGHT -	SIZE A1
CUSTOMER DRAWING		SCALE 4:1	SHEET 2 OF 2
DRAWING NO. 00779		DRAWING NO. 1757829	REV C

X-ON Electronics

Largest Supplier of Electrical and Electronic Components

Click to view similar products for [D-Sub Standard Connectors](#) category:

Click to view products by [TE Connectivity](#) manufacturer:

Other Similar products are found below :

[56F711-015](#) [012-9507-004](#) [LV242999-142T12](#) [015-0341-000](#) [015-0372-005](#) [015-0372-008](#) [015-8755-001](#) [020419-0104](#) [012-0467-000](#) [012-0515-000](#) [012-9507-034](#) [012-9507-114](#) [020745-0008](#) [609-25P](#) [M24308/2-23Z](#) [CT2-14S-2PCA34](#) [CT2-18-11PCAU](#) [CT2-36-15SC](#) [CT6-14S-2SC](#) [CT6E14SA7SC](#) [CT6E22-14PC](#) [CT6E22-14PS](#) [CT6E22-22PS](#) [M83513/01-FC](#) [M85049/48-3-2F](#) [6STD09PCM99B70X](#) [6STD09SCM99B30X](#) [6STD09SCT99S40X](#) [6STD15PCT99S40X](#) [6STD15SCM99B30X](#) [6STD15SCT99S40X](#) [6STF09PCM05B70X](#) [7-135760-9](#) [MC11E-10-6SN](#) [747552-3](#) [MD1-21PS](#) [MDM-15SCBRM7-F222](#) [MDM96517-699](#) [MDM96521-744](#) [MDVB1-21SL1](#) [MIK0-1-7SH003](#) [MIKQ6-7SH076](#) [MIKQ7-7PH077](#) [MIKQ7-7PH11](#) [MIKQ7-7PH32](#) [MIKQ9-7PH003](#) [MJSV-28SL61](#) [MKJ4A1F14-55S](#) [8-135760-3](#) [8STD09PCM99B30X](#)