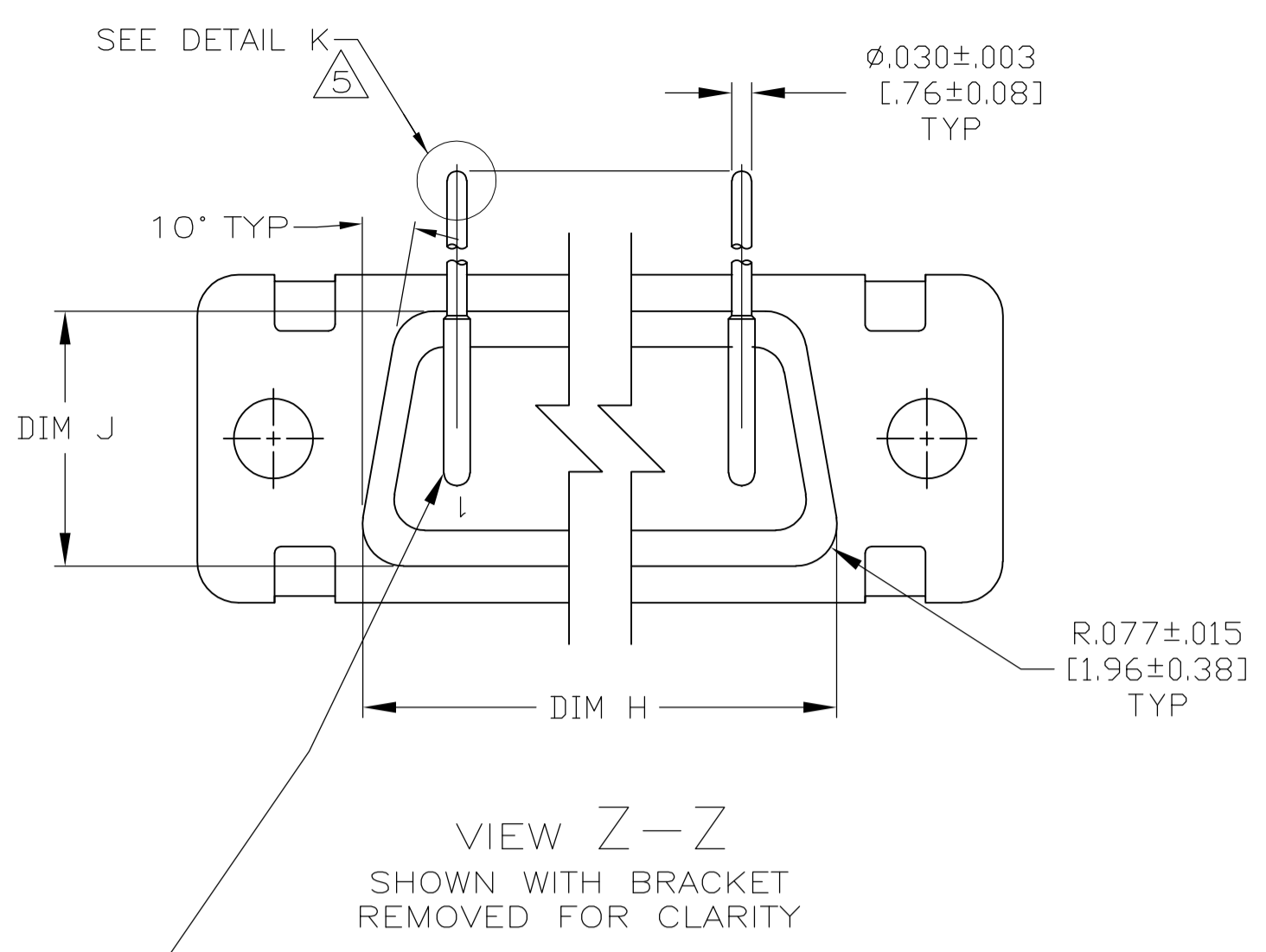
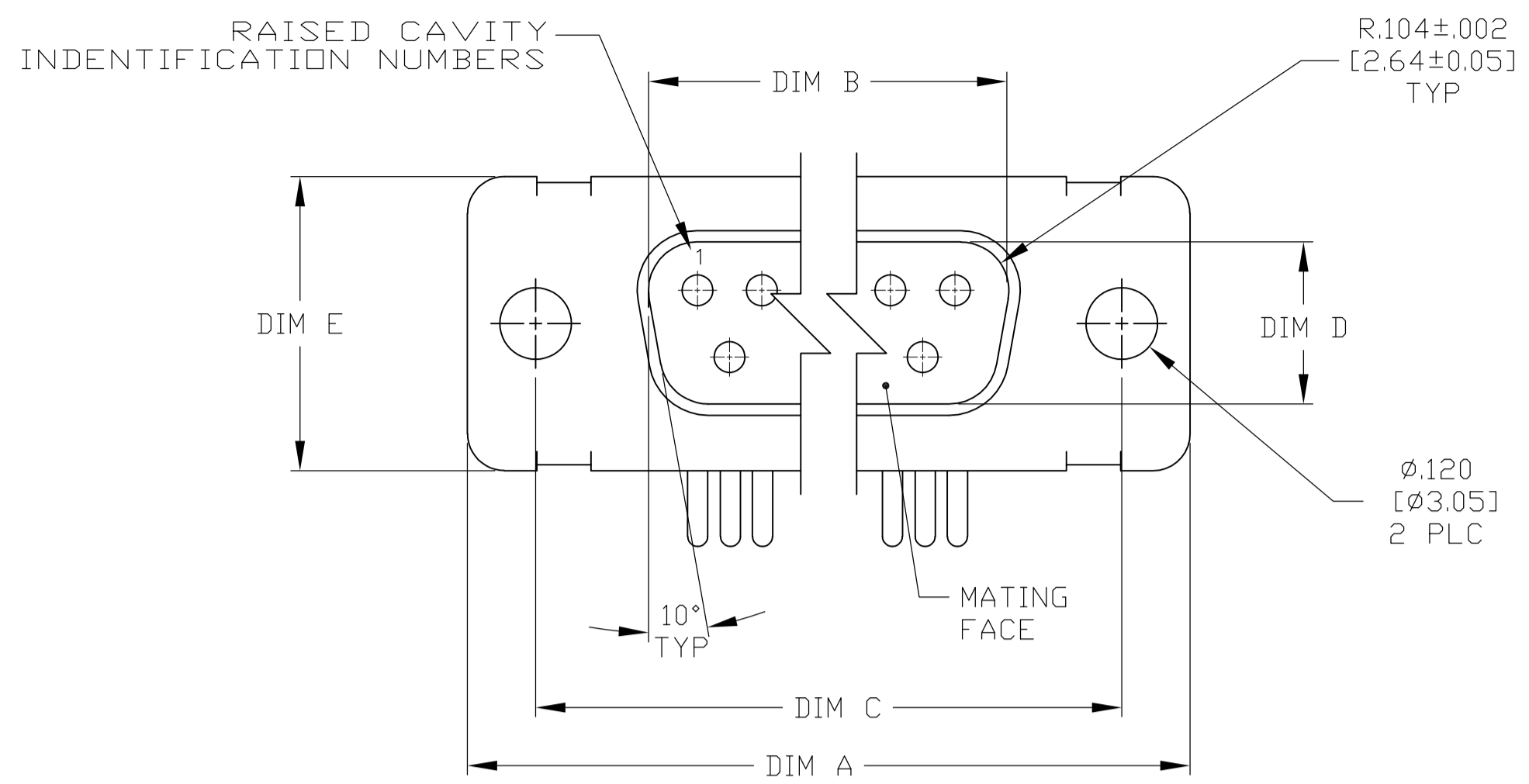


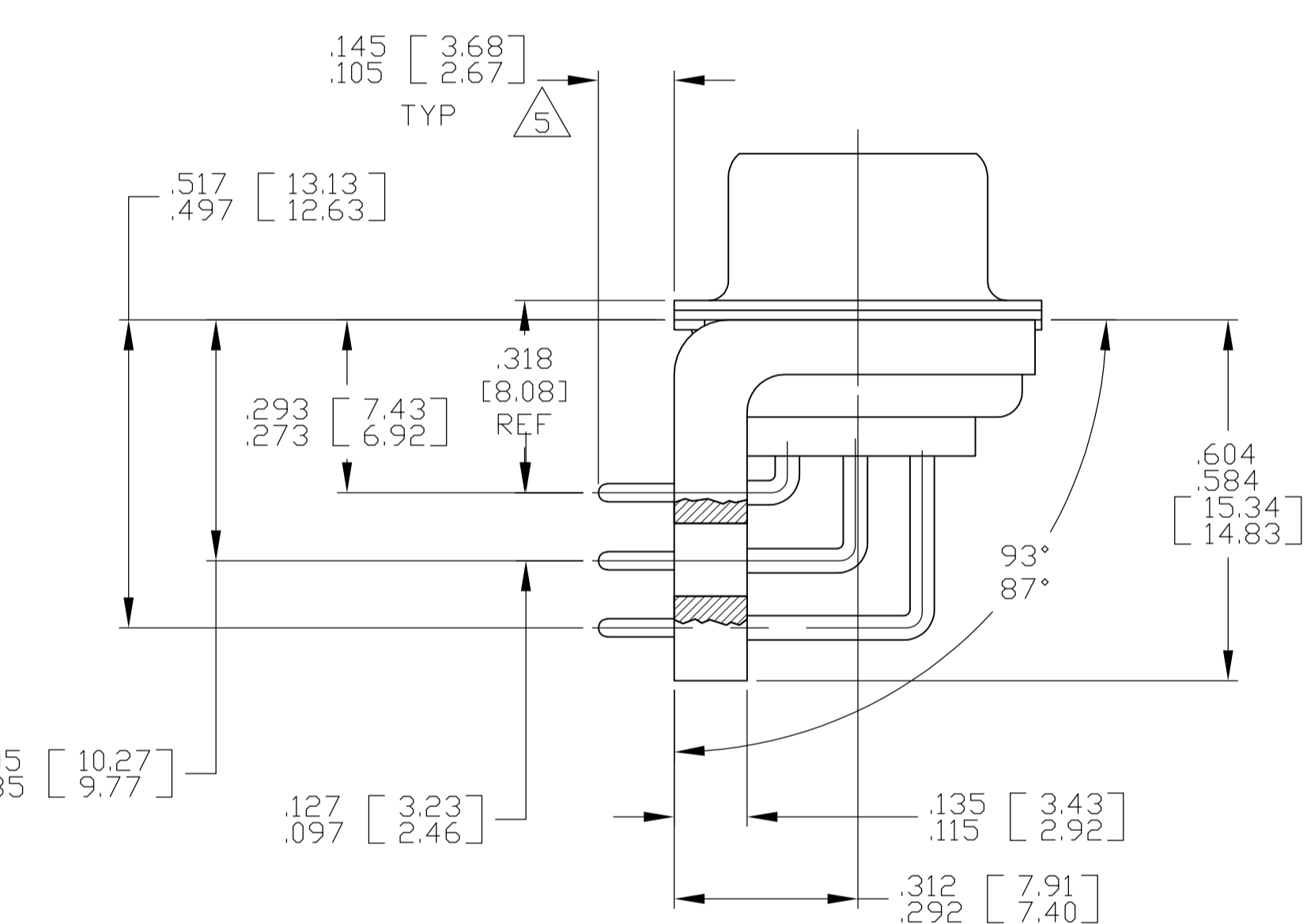
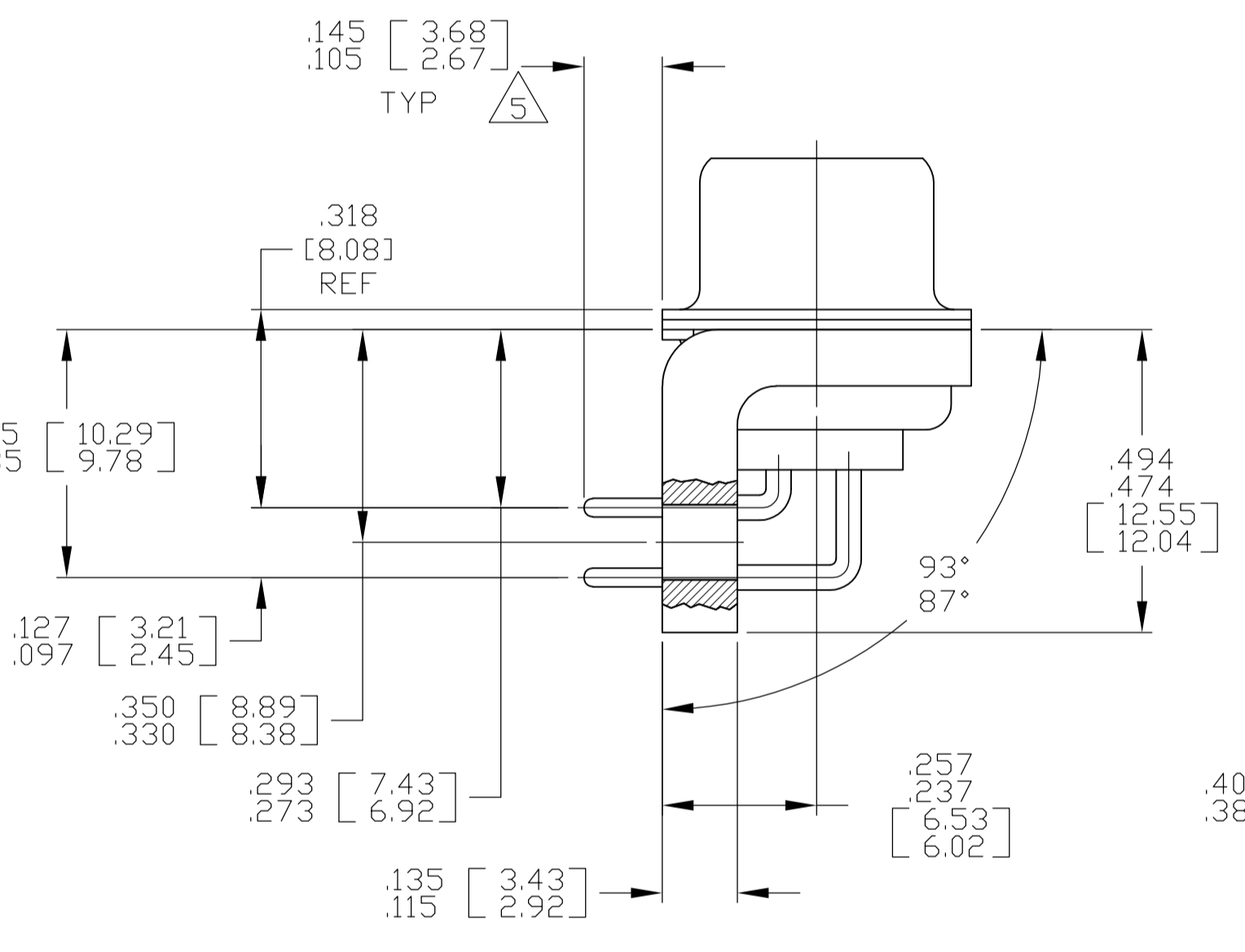
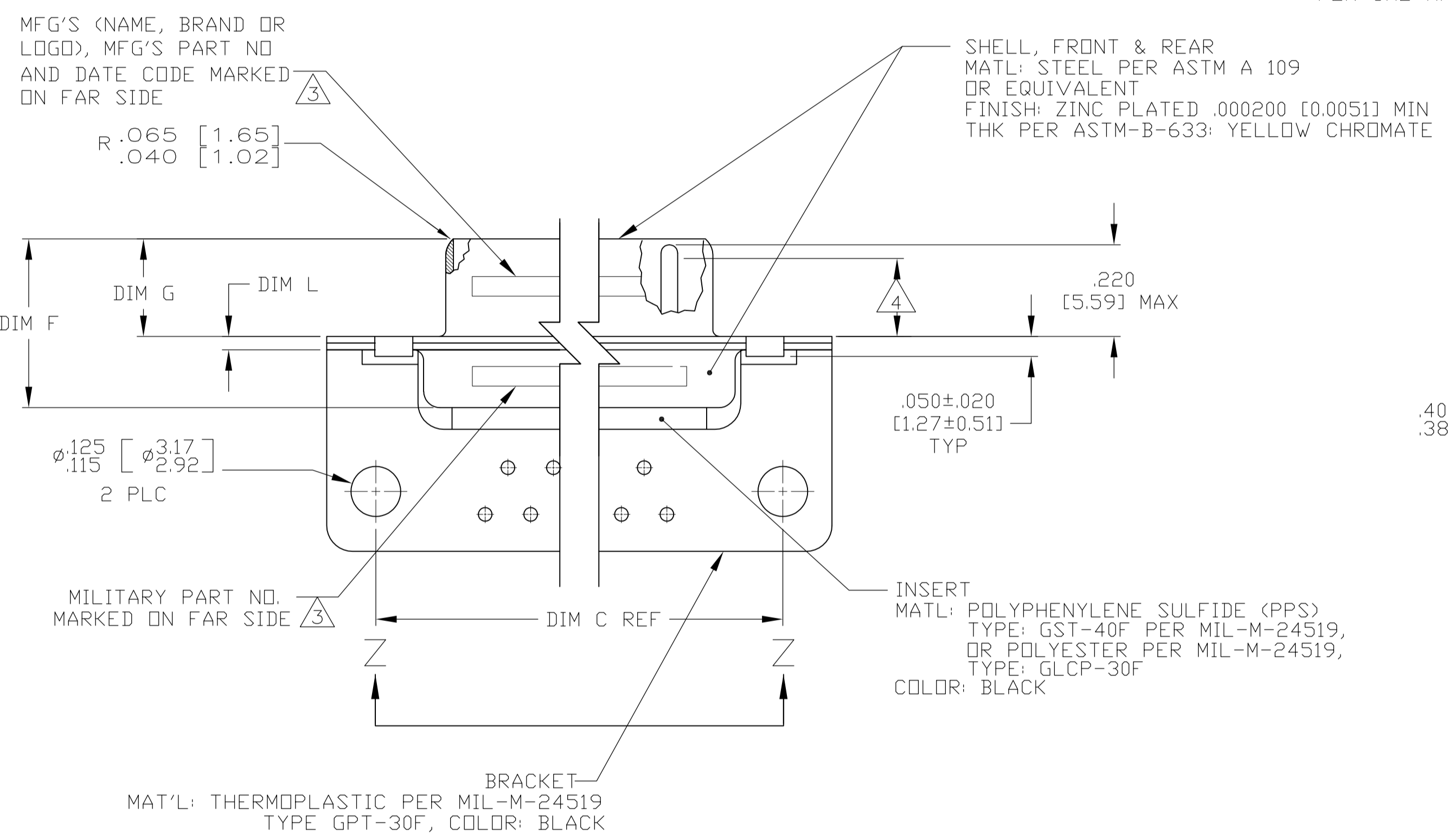
LOC	DIST	REV	DATE	BY	APPV
DF	AO	B	05FEB2013	MGM	CT



VIEW Z-Z  
SHOWN WITH BRACKET REMOVED FOR CLARITY

CONTACT (QTY = NO. OF POSN)  
MATL: BRASS PER ASTM-B-16, OR BERYLLIUM COPPER PER ASTM-B-194  
FINISH: GOLD PER ASTM-B-488, TYPE II, GRADE C, CLASS 1.27 IN CONTACT MATING AREA, .000010 [0.0003] MIN THK GOLD PER ASTM-B-488 OVER .000050 [0.0013] MIN THK NICKEL PER SAE-AMS-QQ-N-290 ON CONTACT BODY

- SEE SHEET 2 FOR RECOMMENDED P.C. BOARD LAYOUT. TRUE POSITION TOLERANCE FOR P.C. BOARD LAYOUT IS .010 [0.25] AT MAX MATERIAL CONDITION. SUGGESTED BOARD THICKNESS IS .062 [1.57]
- THE CONNECTORS DESCRIBED IN THIS DOCUMENT MEET THE REQUIREMENTS OF MIL-C-24308 AND MATE WITH ANY RECEPTACLE CONNECTOR WITH SAME INSERT ARRANGEMENT.
- MARKED WITH .047 [1.19]-.062 [1.57] HIGH CHARACTERS. FAR SIDE REFERS TO THE WIDE SIDE OF THE KEYSTONE. NEAR SIDE REFERS TO THE NARROW SIDE OF THE KEYSTONE. IF THE SHELL IS TOO SMALL FOR THE ENTIRE MARKING MARKING SHALL BE SPLIT AS FOLLOWS:  
A. "M24308" ON FRONT SHELL, FAR SIDE.  
B. SLASH SHEET AND DASH NUMBER ON REAR SHELL, FAR SIDE.  
C. "MFG'S" (NAME, BRAND OR LOGO), AND DATE CODE ON FRONT SHELL, NEAR SIDE.  
D. MFG'S PART NUMBER ON REAR SHELL, NEAR SIDE.
- REQUIREMENT FOR FULL PIN DIAMETER EXTENSION:  
.159 [4.04] MIN, SHELL SIZES 1 AND 2.  
.150 [3.81] MIN, SHELL SIZES 3 AND 4.
- SOLDER DIPPED PER J-STD-001 WITH Sn63 SOLDER PER J-STD-006 IN THE ENTIRE AREA OF DIMENSION SHOWN. (1757835-6 THRU -10 ONLY.)
- MEETS SOLDERABILITY PER MIL-STD-202 METHOD 208.



SHELL SIZES 1 THRU 4 CONTACT CONFIGURATION

SHELL SIZE 5 CONTACT CONFIGURATION

.030 [0.76] MAX EXTENSION PERMISSIBLE DUE TO SOLDER DIPPING

.049 [1.24] .544 [13.82] 2.188 [55.58] .236 [5.99] .436 [11.07] .620 [15.75] .446 [11.33] 2.411 [61.24] 2.084 [52.55] 2.650 [67.31]	.029 [0.74] .524 [13.31] 2.168 [55.07] .224 [5.69] .416 [10.57] .590 [14.99] .436 [11.07] 2.401 [60.99] 2.074 [52.30] 2.620 [66.55]	.049 [1.24] .432 [10.97] 2.282 [57.96] .236 [5.99] .436 [11.07] .509 [12.93] .334 [8.48] 2.505 [63.63] 2.187 [54.97] 2.744 [69.70]	.029 [0.74] .412 [10.46] 2.262 [57.45] .224 [5.69] .416 [10.57] .479 [12.17] .324 [8.23] 2.495 [63.37] 2.177 [54.71] 2.714 [68.94]	.049 [1.24] .432 [10.97] 1.635 [41.53] .236 [5.99] .436 [11.07] .509 [12.93] .334 [8.48] 1.857 [47.17] 1.539 [38.51] 2.103 [53.42]	.029 [0.74] .412 [10.46] 1.615 [41.02] .224 [5.69] .416 [10.57] .479 [12.17] .324 [8.23] 1.847 [46.91] 1.529 [38.25] 2.073 [52.65]	.040 [1.02] .432 [10.97] 1.093 [27.76] .238 [6.05] .432 [10.97] .509 [12.93] .334 [8.48] 1.317 [33.45] .999 [24.79] 1.556 [39.52]	.020 [0.51] .412 [10.46] 1.073 [27.25] .229 [5.82] .412 [10.46] .479 [12.17] .324 [8.23] 1.307 [33.20] .989 [24.54] 1.526 [38.76]	.040 [1.02] .432 [10.97] .769 [19.53] .238 [6.05] .432 [10.97] .509 [12.93] .334 [8.48] .989 [25.12] .671 [16.46] 1.228 [31.19]	.020 [0.51] .412 [10.46] .749 [19.02] .229 [5.82] .412 [10.46] .479 [12.17] .324 [8.23] .979 [24.87] .661 [16.21] 1.198 [30.43]	.049 [1.24] .544 [13.82] 2.188 [55.58] .236 [5.99] .436 [11.07] .620 [15.75] .446 [11.33] 2.411 [61.24] 2.084 [52.55] 2.650 [67.31]	.029 [0.74] .524 [13.31] 2.168 [55.07] .224 [5.69] .416 [10.57] .590 [14.99] .436 [11.07] 2.401 [60.99] 2.074 [52.30] 2.620 [66.55]	.049 [1.24] .432 [10.97] 2.282 [57.96] .236 [5.99] .436 [11.07] .509 [12.93] .334 [8.48] 2.505 [63.63] 2.187 [54.97] 2.744 [69.70]	.029 [0.74] .412 [10.46] 2.262 [57.45] .224 [5.69] .416 [10.57] .479 [12.17] .324 [8.23] 2.495 [63.37] 2.177 [54.71] 2.714 [68.94]	.049 [1.24] .432 [10.97] 1.635 [41.53] .236 [5.99] .436 [11.07] .509 [12.93] .334 [8.48] 1.857 [47.17] 1.539 [38.51] 2.103 [53.42]	.029 [0.74] .412 [10.46] 1.615 [41.02] .224 [5.69] .416 [10.57] .479 [12.17] .324 [8.23] 1.847 [46.91] 1.529 [38.25] 2.073 [52.65]	.040 [1.02] .432 [10.97] 1.093 [27.76] .238 [6.05] .432 [10.97] .509 [12.93] .334 [8.48] 1.317 [33.45] .999 [24.79] 1.556 [39.52]	.020 [0.51] .412 [10.46] 1.073 [27.25] .229 [5.82] .412 [10.46] .479 [12.17] .324 [8.23] 1.307 [33.20] .989 [24.54] 1.526 [38.76]	.040 [1.02] .432 [10.97] .769 [19.53] .238 [6.05] .432 [10.97] .509 [12.93] .334 [8.48] .989 [25.12] .671 [16.46] 1.228 [31.19]	.020 [0.51] .412 [10.46] .749 [19.02] .229 [5.82] .412 [10.46] .479 [12.17] .324 [8.23] .979 [24.87] .661 [16.21] 1.198 [30.43]
---	---	--	--	--	--	---	---	---	---	---	---	--	--	--	--	---	---	---	---

DIM L	DIM J	DIM H	DIM G	DIM F	DIM E	DIM D	DIM C	DIM B	DIM A	INSERT ARRANGEMENT	NO OF POS	SHELL SIZE	MILITARY P/N ON CONNECTOR	MFG'S P/N MARKED ON CONNECTOR	MFG'S PART NO.
.049 [1.24] .544 [13.82] 2.188 [55.58] .236 [5.99] .436 [11.07] .620 [15.75] .446 [11.33] 2.411 [61.24] 2.084 [52.55] 2.650 [67.31]	.029 [0.74] .524 [13.31] 2.168 [55.07] .224 [5.69] .416 [10.57] .590 [14.99] .436 [11.07] 2.401 [60.99] 2.074 [52.30] 2.620 [66.55]	MS18277-1	50	5	M24308/24-29Z	1757835-5	1-1757835-0								
.049 [1.24] .432 [10.97] 2.282 [57.96] .236 [5.99] .436 [11.07] .509 [12.93] .334 [8.48] 2.505 [63.63] 2.187 [54.97] 2.744 [69.70]	.029 [0.74] .412 [10.46] 2.262 [57.45] .224 [5.69] .416 [10.57] .479 [12.17] .324 [8.23] 2.495 [63.37] 2.177 [54.71] 2.714 [68.94]	MS18276-1	37	4	M24308/24-28Z	1757835-4	1757835-9								
.049 [1.24] .432 [10.97] 1.635 [41.53] .236 [5.99] .436 [11.07] .509 [12.93] .334 [8.48] 1.857 [47.17] 1.539 [38.51] 2.103 [53.42]	.029 [0.74] .412 [10.46] 1.615 [41.02] .224 [5.69] .416 [10.57] .479 [12.17] .324 [8.23] 1.847 [46.91] 1.529 [38.25] 2.073 [52.65]	MS18275-1	25	3	M24308/24-27Z	1757835-3	1757835-8								
.040 [1.02] .432 [10.97] 1.093 [27.76] .238 [6.05] .432 [10.97] .509 [12.93] .334 [8.48] 1.317 [33.45] .999 [24.79] 1.556 [39.52]	.020 [0.51] .412 [10.46] 1.073 [27.25] .229 [5.82] .412 [10.46] .479 [12.17] .324 [8.23] 1.307 [33.20] .989 [24.54] 1.526 [38.76]	MS18274-1	15	2	M24308/24-26Z	1757835-2	1757835-7								
.040 [1.02] .432 [10.97] .769 [19.53] .238 [6.05] .432 [10.97] .509 [12.93] .334 [8.48] .989 [25.12] .671 [16.46] 1.228 [31.19]	.020 [0.51] .412 [10.46] .749 [19.02] .229 [5.82] .412 [10.46] .479 [12.17] .324 [8.23] .979 [24.87] .661 [16.21] 1.198 [30.43]	MS18273-1	9	1	M24308/24-25Z	1757835-1	1757835-6								

DETAIL K  
SCALE 10:1  
FOR 1757835-6 THRU -10 ONLY

THIS DRAWING IS A CONTROLLED DOCUMENT.

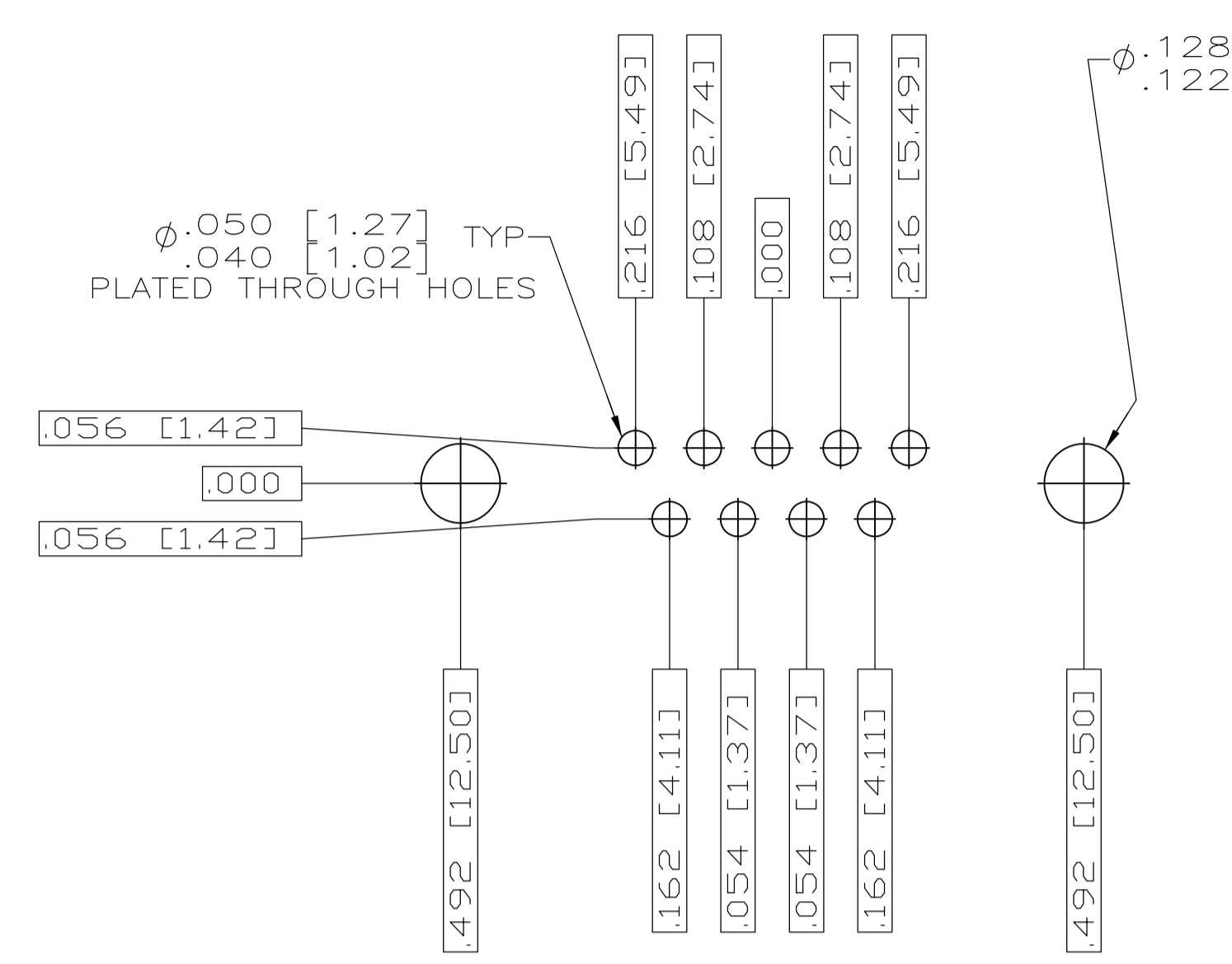
DMN: C.C. THOMAS 10FEB2008  
CHK: D. MILLER 2-13-06  
APPV: D. MILLER 2-13-06

TE Connectivity

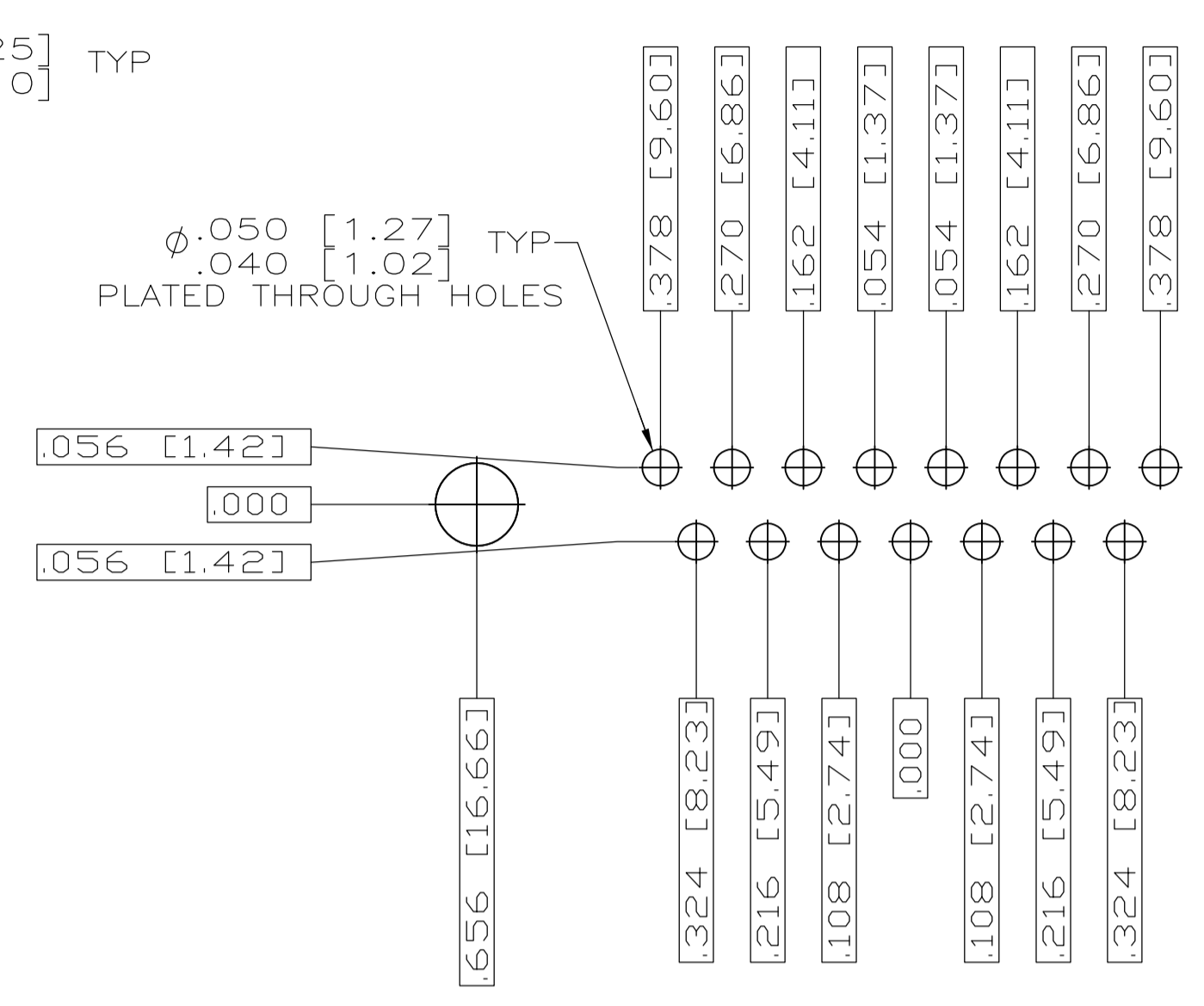
PLUG ASSEMBLY, AMP/LMITE, RT ANGLE, SERIES 109, SIZE 1 THRU 5

APPLIC. SPEC: A1 00779 ©=1757835

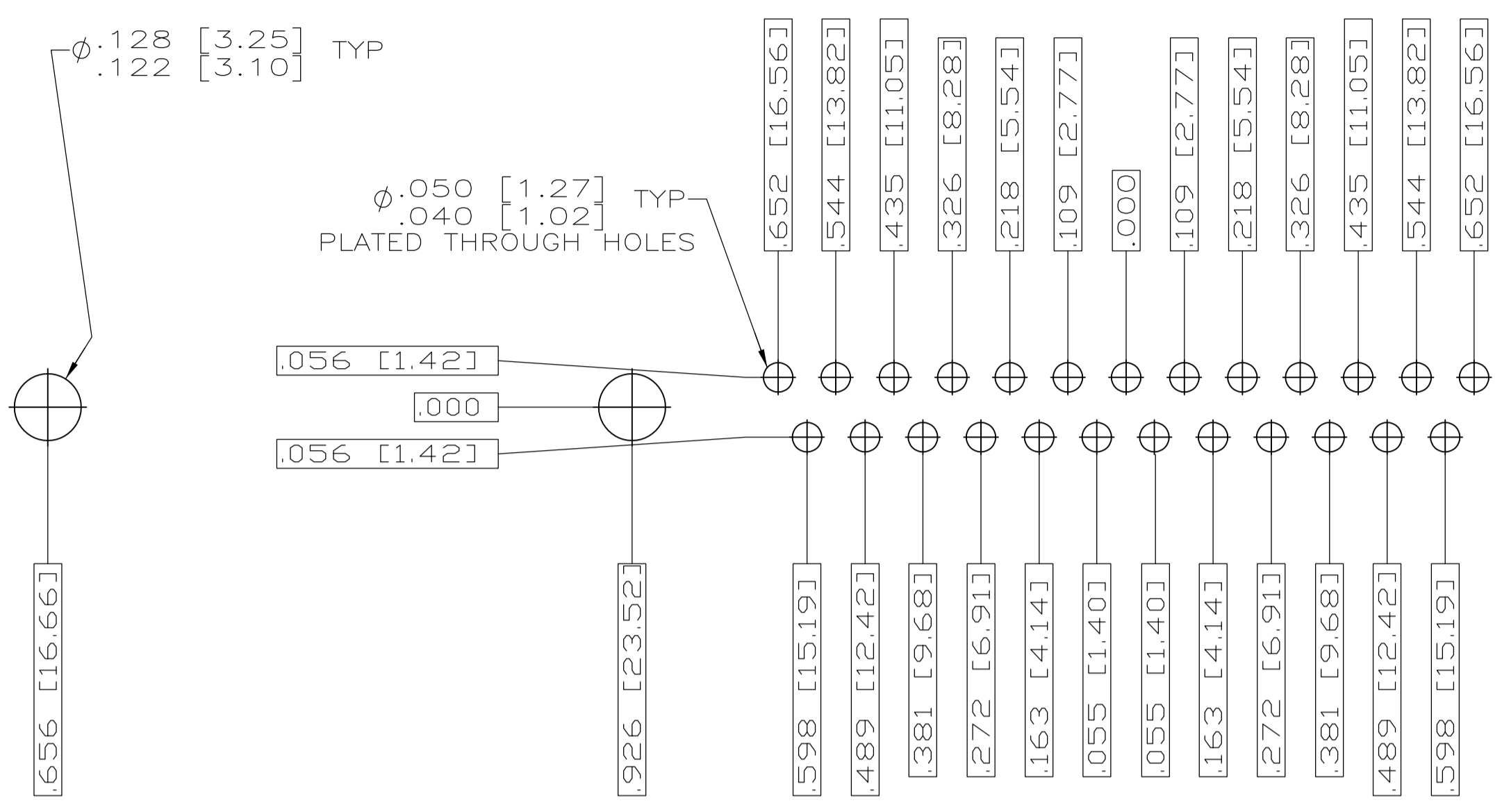
CUSTOMER DRAWING SCALE 4:1 SHEET 1 OF 2 REV B



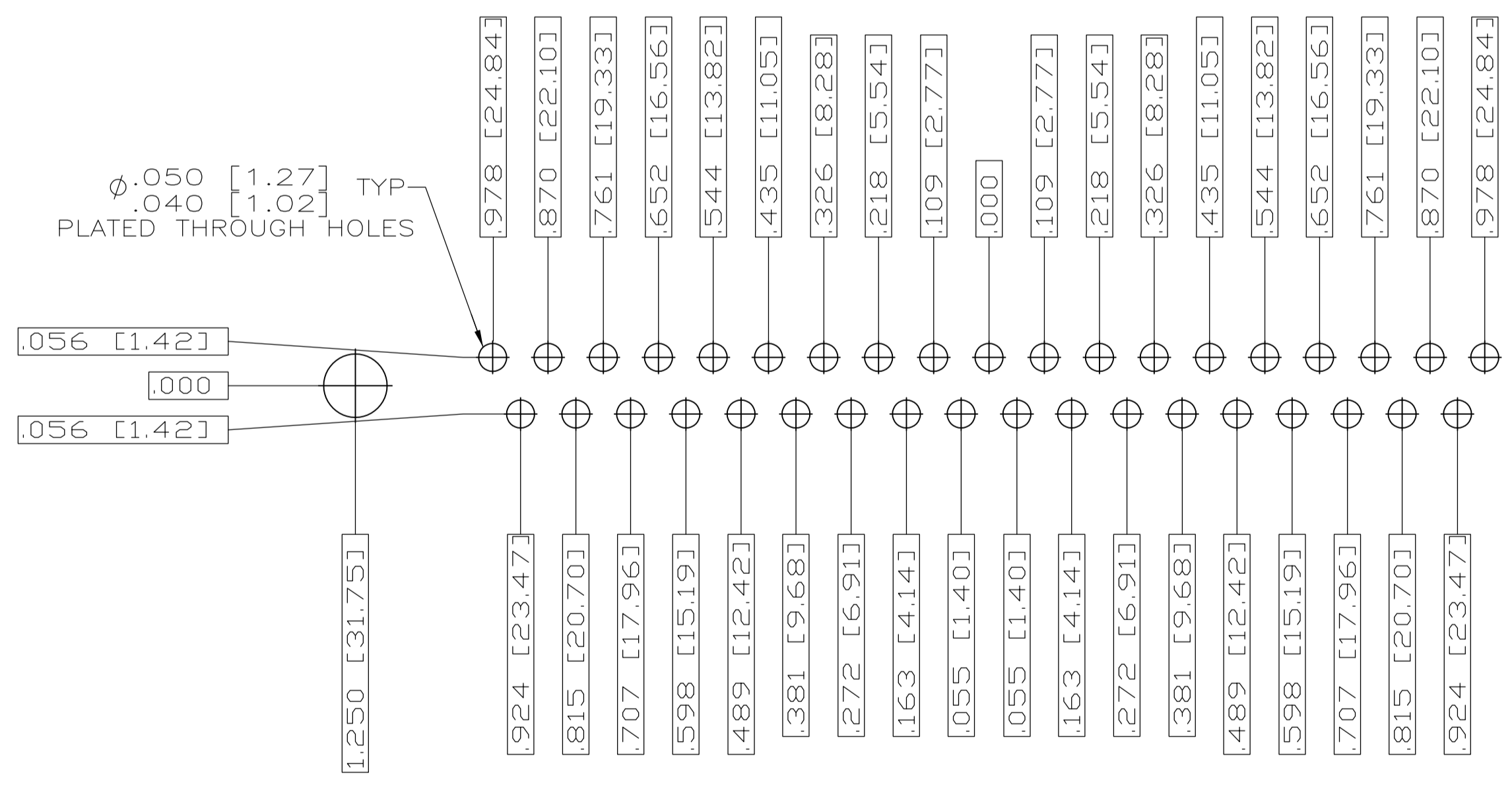
RECOMMENDED P.C. BOARD LAYOUT  
SHELL SIZE 1 (9 POSITION)  $\Delta$



RECOMMENDED P.C. BOARD LAYOUT  
SHELL SIZE 2 (15 POSITION)  $\Delta$



RECOMMENDED P.C. BOARD LAYOUT  
SHELL SIZE 3 (25 POSITION)  $\Delta$



RECOMMENDED P.C. BOARD LAYOUT  
SHELL SIZE 4 (37 POSITION)  $\Delta$



RECOMMENDED P.C. BOARD LAYOUT  
SHELL SIZE 5 (50 POSITION)  $\Delta$

THIS DRAWING IS A CONTROLLED DOCUMENT.		DN C.C.THOMAS 2-10-06	 TE Connectivity
DIMENSIONS: INCHES		CHK D.HOFFMAN 2-13-06	
TOLERANCES UNLESS OTHERWISE SPECIFIED:		APVO D.MILLER 2-13-06	NAME PLUG ASSY,AMPLIMITE RIGHT ANGLE,SERIES 109,SIZE 1 THRU 5
0 PL ± 1 PL ± 2 PL ± 3 PL ± 4 PL ± ANGLES ± °	± .001 ± .001 ± .001 ± .001 ± .001 ± .001	APPLICATION SPEC	SIZE A1
MATERIAL SEE CALLOUTS	FINISH SEE CALLOUTS	WEIGHT -	CAGE CODE 1757835
CUSTOMER DRAWING		SCALE 4:1	SHEET 2 OF 2

## X-ON Electronics

Largest Supplier of Electrical and Electronic Components

*Click to view similar products for [D-Sub Standard Connectors](#) category:*

*Click to view products by [TE Connectivity](#) manufacturer:*

Other Similar products are found below :

[56F706-005-LI](#) [56F711-015](#) [LV242999-142T12](#) [015-0341-000](#) [015-0349-000](#) [015-0350-000](#) [015-8544-011](#) [015-8755-001](#) [017041-0005](#)  
[020419-0104](#) [012-0467-000](#) [012-9507-114](#) [020745-0008](#) [609-25P](#) [609-9P](#) [M24308/2-23Z](#) [M24308/2-36Z](#) [CT0-24-10SC](#) [CT0E20-8PS](#)  
[CT0E22-14SC](#) [CT0F16S-1SC](#) [CT0FA22-1SS](#) [CT0P14S-5SXS](#) [CT0P22-14PS](#) [CT0TA16-11SXCA232](#) [CT0U22-14PSA206F127](#) [CT1E20-](#)  
[19SS](#) [CT1E20-22SCAU-G9](#) [CT1F22-14PC-G9](#) [CT1FC22-2PC](#) [CT1FC24-28SSAU](#) [CT1N22-22SS](#) [CT2-10SL-3SC](#) [CT2-14S-2PCA34](#) [CT2-](#)  
[18-10PS-FMLB-D](#) [CT2-18-11PCAU](#) [CT2-18-1PSAUA34](#) [CT2-22-19SC](#) [CT2-22-19SS-A206](#) [CT2-24-2PS](#) [CT2-28-12SC](#) [CT2-28-](#)  
[12SCA232](#) [CT2-28-12SSA232](#) [CT6-10SL-3SC](#) [CT6-10SL-4SC](#) [CT6-16-12SC](#) [CT6-18-10PSA206](#) [CT6-18-10PSA232](#) [CT6-18-](#)  
[10SSF127A206](#) [CT6-28-22SS](#)