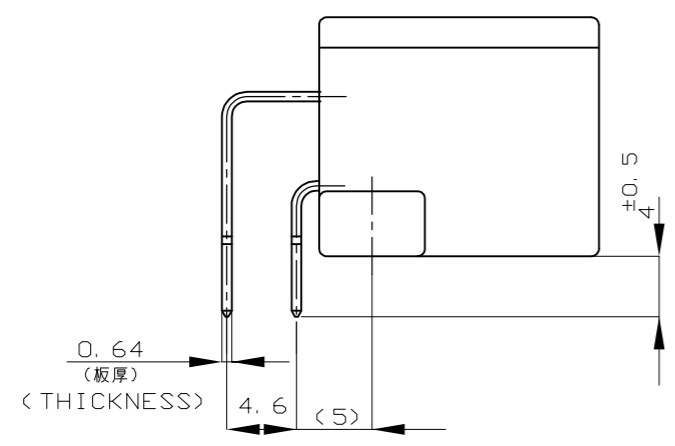
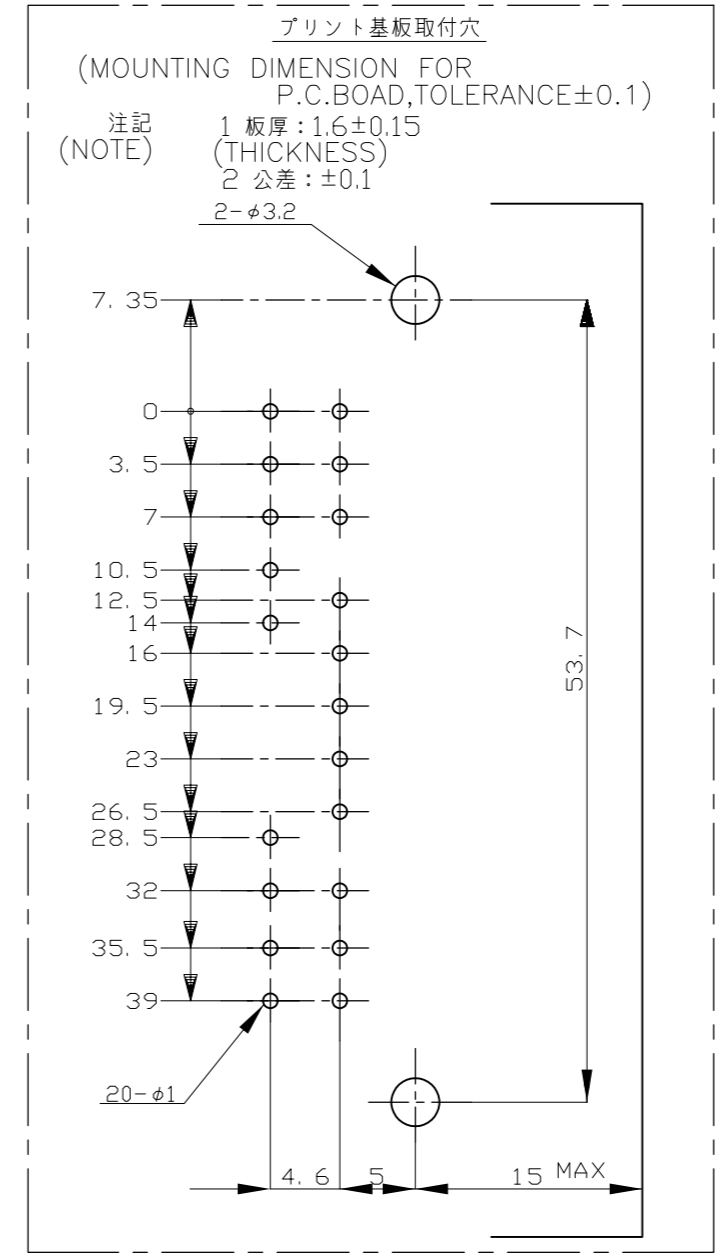
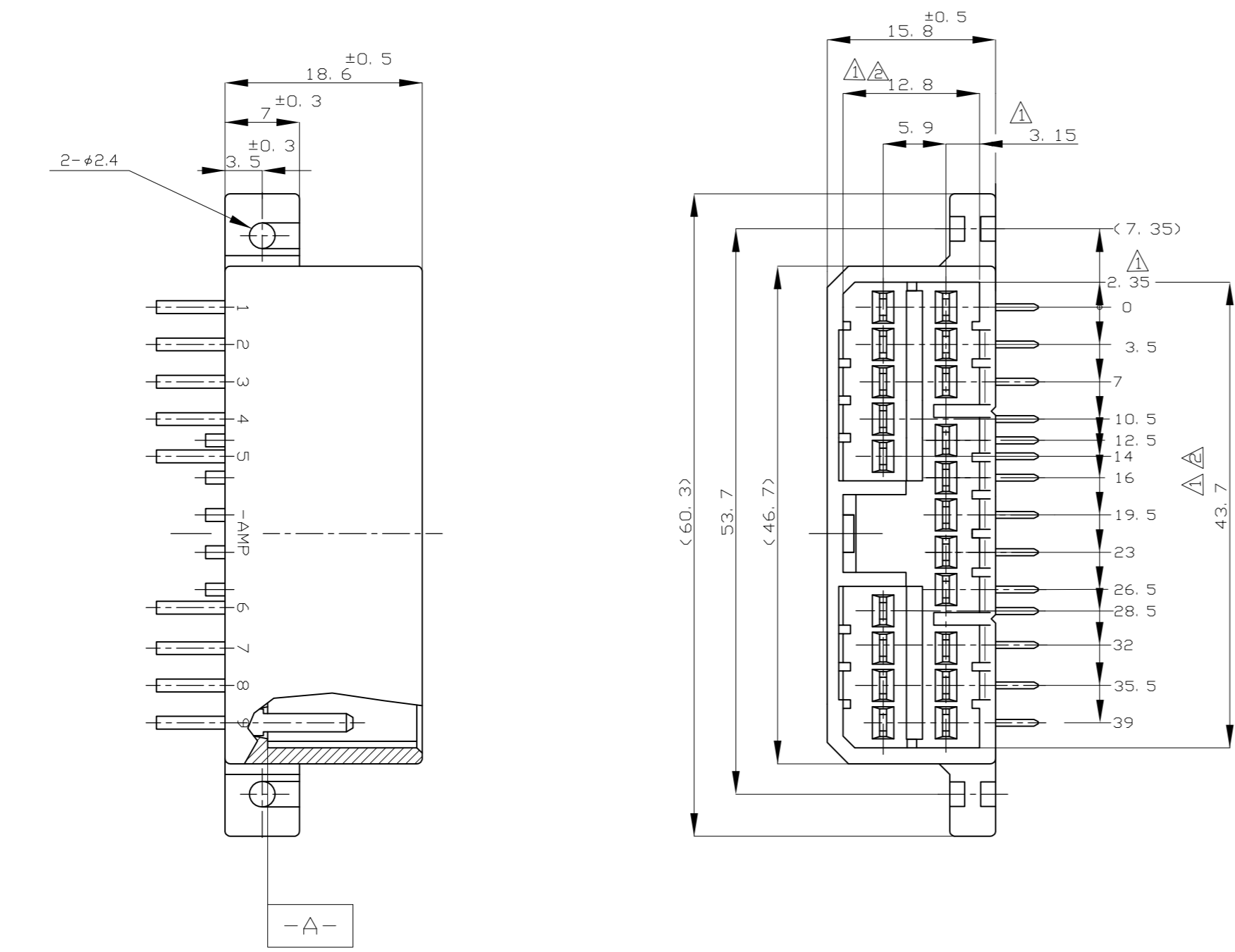


THIS DRAWING IS UNPUBLISHED. RELEASED FOR PUBLICATION
 © COPYRIGHT 2004 By - ALL RIGHTS RESERVED.

LOC		DIST		REVISIONS			
J	-	P	LTR	変更	DATE	DWN	APVD
		D4		REVISED PER ECO-11-005140	28MAR11	RK	HMR



注記 \triangle \square 面より2mmの範囲で測定
 \triangle 相手ハウジング (型番: 174952) と
 所定の機能を満たして嵌合できること
 3 プリント基板への取付けは、JIS-B1115
 又は1122, M3X6ナベ (2種又は4種) の
 タッピングネジで締め付けた後ハンダ付けする。
 (締め付けトルク: 4kg-cm以下)

NOTE \triangle MUST BE KEPT BETWEEN \square AND 2
 \triangle TO MATE WITH PLUG HSG
 (P/N 174952) SMOOTHLY
 3 RECOMMEND MOUNTING SCREW; M3X6 PAN HEAD,
 CLASS 2 TAPPING SCREW SPECIFIED IN
 JIS B1115, B1122
 (TIGHTENING TORQUE; 4Kg-cm MAX)

TOLERANCE UNLESS OTHERWISE SPECIFIED: 一般公差

0 < * ≤ 10	: ±0.2
10 < * ≤ 30	: ±0.25
30 < * ≤ 100	: ±0.3
ANGLE	: ±3°
角度	

OBSOLETE	BRASS	SELECTIVE-TIN	PRE-TIN	BLACK	9-175785-2
	BRASS		PRE-TIN	GRAY	175785-6
	BRASS	SELECTIVE-TIN (MATTE)	SELECTIVE GOLD	WHITE	175785-3
	PHOSPHOR BRONZE		PRE-TIN	WHITE	175785-2
	BRASS		PRE-TIN	WHITE	175785-1
	CONTACT MATERIAL	SOLDERING SIDE 半田付け部	CONTACT SIDE 接触部側	COLOR 色	PART NUMBER 製品型番
		CONTACT FINISH コンタクト仕上げ			

THIS DRAWING IS A CONTROLLED DOCUMENT.

DIMENSIONS: 単位: 純 mm	TOLERANCES UNLESS OTHERWISE SPECIFIED: 一般公差	DWN: A.YAMAGUCHI 19FEB04														
	<table border="1"> <tr><td>0 PLC</td><td>±</td></tr> <tr><td>1 PLC</td><td>-</td></tr> <tr><td>2 PLC</td><td>-</td></tr> <tr><td>3 PLC</td><td>-</td></tr> <tr><td>4 PLC</td><td>-</td></tr> <tr><td>ANGLES</td><td>±</td></tr> </table>	0 PLC		±	1 PLC	-	2 PLC	-	3 PLC	-	4 PLC	-	ANGLES	±	CHK: K.BETSUI 19FEB04	NAME: 070 SERIES MULTILOCK I/O CONNECTOR 20POSITION CAP HOUSING (W-B(H-TYPE))
		0 PLC		±												
		1 PLC		-												
2 PLC	-															
3 PLC	-															
4 PLC	-															
ANGLES	±															
MATERIAL: HSG:PBT TAB:SEE TABLE	FINISH: 仕上	APVD: K.BETSUI 19FEB04	SIZE: A2													
	SEE TABLE	PRODUCT SPEC: 108-5216	CAGE CODE: 00779													
		APPLICATION SPEC: 取付適用規格	DRAWING NO: C=175785													
		WEIGHT: -	RESTRICTED TO: -													
		CUSTOMER DRAWING	SCALE: 2:1 SHEET: 1 OF 1 REV: D4													

X-ON Electronics

Largest Supplier of Electrical and Electronic Components

Click to view similar products for [Automotive Connectors](#) category:

Click to view products by [TE Connectivity](#) manufacturer:

Other Similar products are found below :

[003-018-000](#) [60403001](#) [60993906-B](#) [M902-2131](#) [M902-2161](#) [72.330.1035.1](#) [73.353.4028.0](#) [F119300-B](#) [F166900](#) [F258300-B](#) [F358300-B](#)
[F407400](#) [F444110](#) [F487000](#) [F509500B-B](#) [827153-1](#) [8N1515-32-24P](#) [9-1326729-8](#) [925474-1](#) [928905-1](#) [964562-4](#) [968782-1](#) [GT17SA-8DS-](#)
[HU](#) [98891-1012](#) [98947-1016](#) [12004147](#) [12004475-L](#) [12010290](#) [12010309-B](#) [12015454](#) [12020219-B](#) [12020308](#) [12041318-B](#) [12052225-L](#)
[12052466](#) [12059125](#) [12064869](#) [12004327-B](#) [12010503-B](#) [12015308](#) [12015384](#) [12015909](#) [1-21030-1](#) [12041254](#) [12041318](#) [12047946-B](#)
[12047957](#) [12047957-L](#) [12059473](#) [12066261](#)