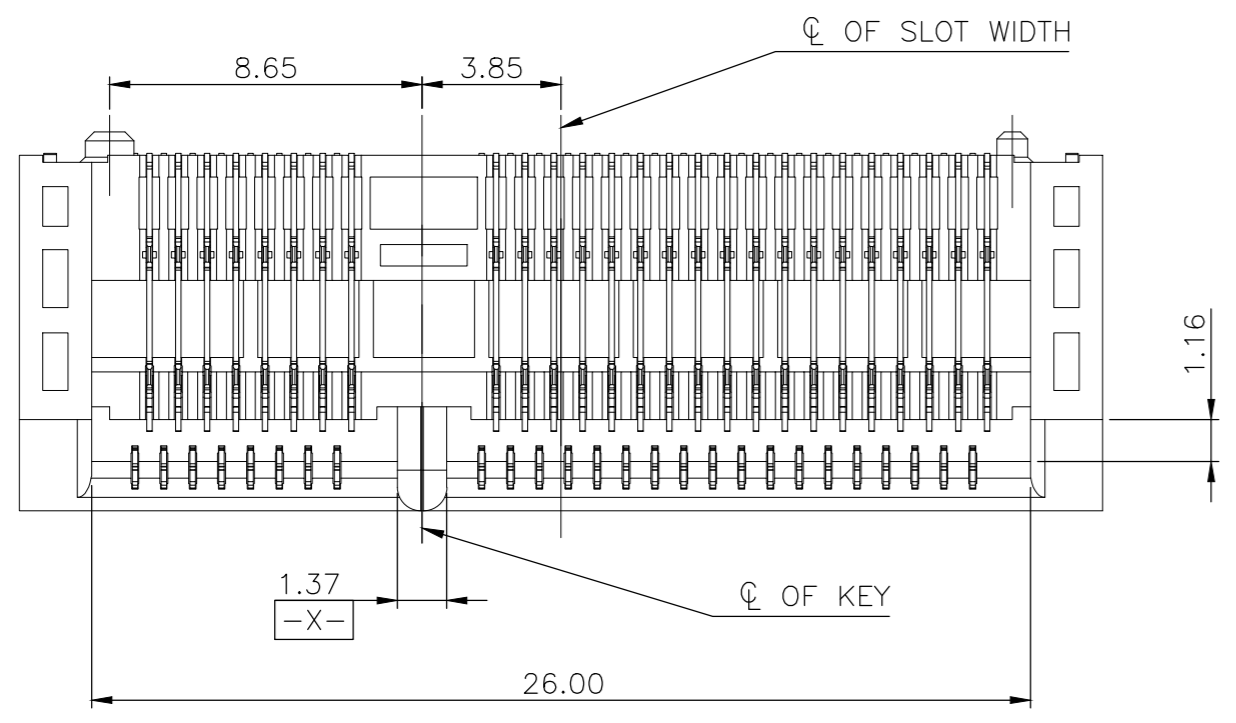


THIS DRAWING IS UNPUBLISHED. RELEASED FOR PUBLICATION
 © COPYRIGHT 2011 BY TE CONNECTIVITY. ALL RIGHTS RESERVED.

REVISIONS					
P	LTR	DESCRIPTION	DATE	DWN	APVD
C		REVISED PER ECR-18-000544	15JAN18	DZ	SL



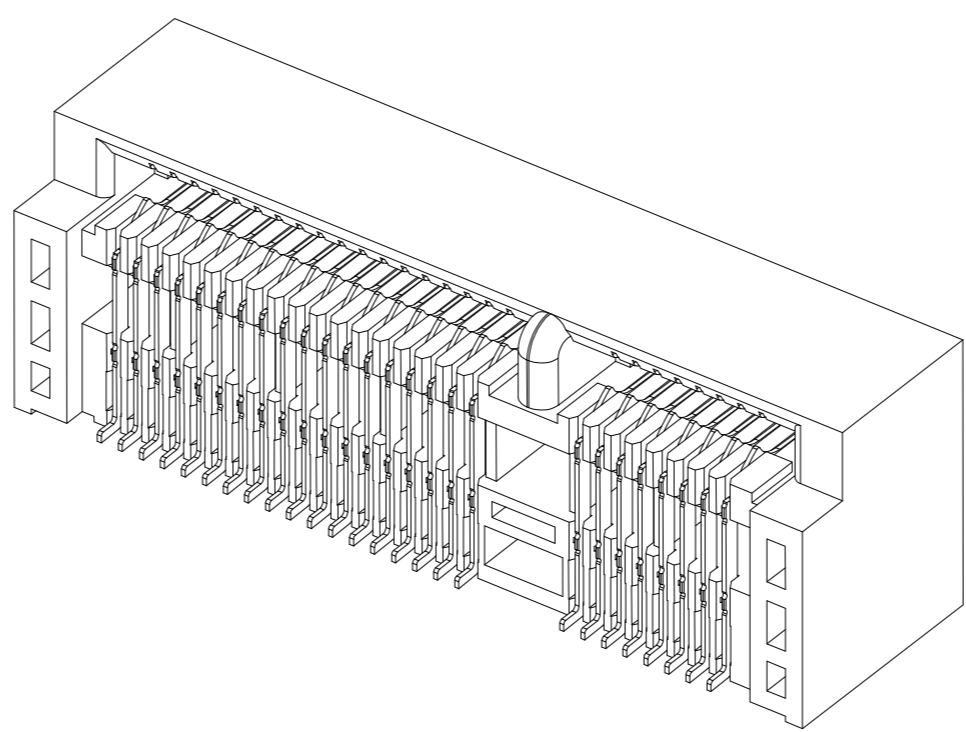
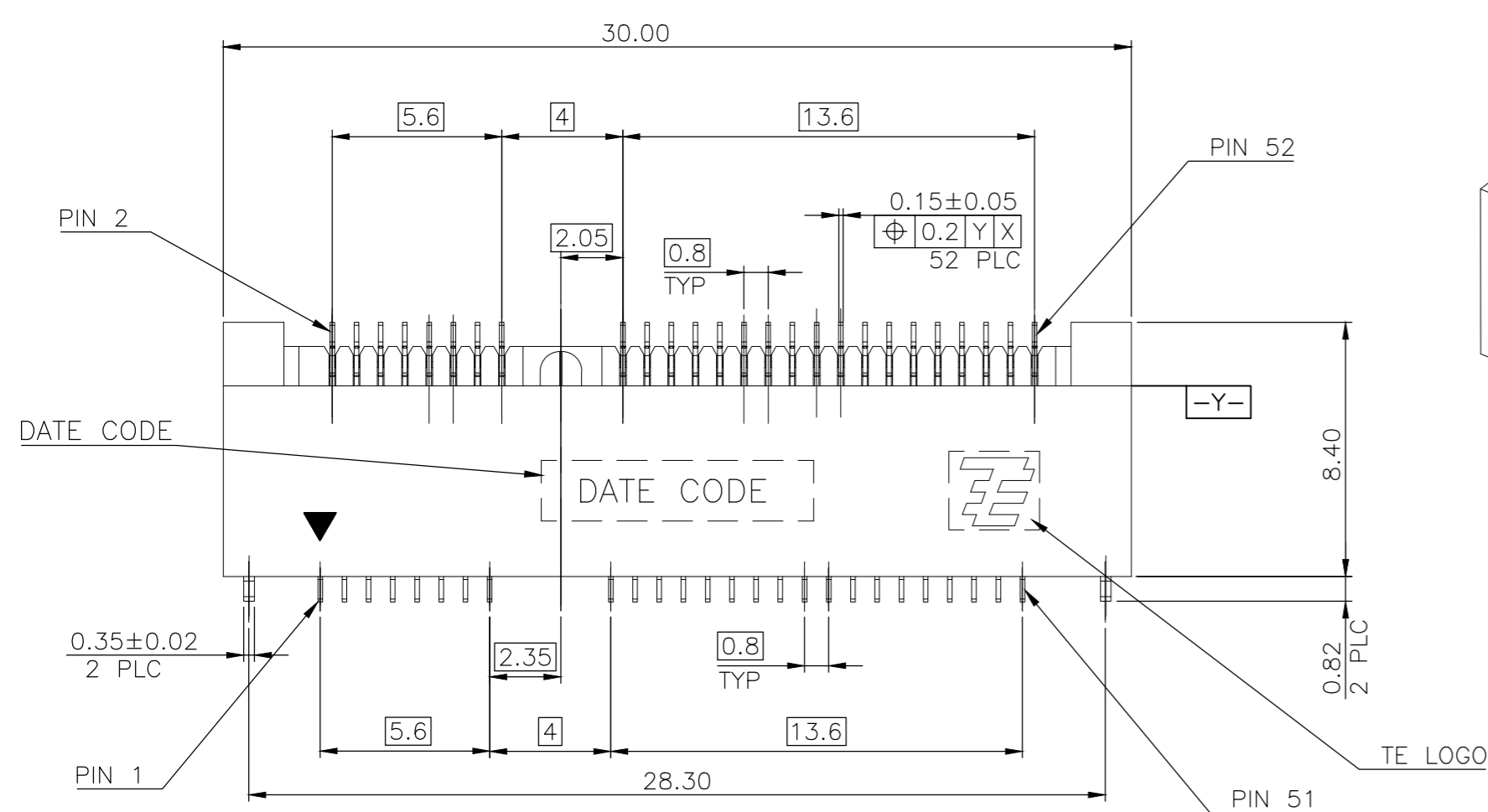
- NOTES:
- MATERIAL:
HOUSING: LCP WITH 30% GF, UL94 V-0, BLACK COLOR.
CONTACTS: PHOSPHOR BRONZE.
PEGS: BRASS.
 - FINISH:
CONTACTS: (SEE TABLE) GOLD PLATED ON CONTACT AREA, GOLD FLASH ON SOLDER AREA, WITH ENTIRE CONTACT UNDERPLATED 1.27µm [50µ"] MIN. NICKEL.
PEGS: 3.048µm [120µ"] MIN. MATTE-TIN OVER 1.27µm [50µ"] MIN. NICKEL.
 - REFLOW SOLDER CAPABLE TO 260° PER TEC-109-201, CONDITION B.

PCI-E MINI CARD CONNECTOR
SIGNAL ASSIGNMENTS

PIN#	NAME	PIN#	NAME
51	Reserved	52	+3.3Vaux
49	Reserved	50	GND
47	Reserved	48	+1.5V
45	Reserved	46	LED_WPAN#
43	GND	44	LED_WLAN#
41	+3.3Vaux	42	LED_WWAN#
39	+3.3Vaux	40	GND
37	GND	38	USB_D+
35	GND	36	USB_D-
33	PETp0	34	GND
31	PETn0	32	SMB_DATA
29	GND	30	SMB_CLK
27	GND	28	+1.5V
25	PERp0	26	GND
23	PERn0	24	+3.3Vaux
21	GND	22	PERST#
19	Reserved* (UIM_C4)	20	W_DISABLE#
17	Reserved* (UIM_C8)	18	GND

mSATA CONNECTOR
SIGNAL ASSIGNMENTS

PIN#	NAME	PIN#	NAME
51	Presence Defection	52	+3.3V
49	DA/DSS	50	GND
47	Vendor	48	+1.5V
45	Vendor	46	Reserved
43	No Connect	44	Reserved
41	+3.3V	42	Reserved
39	+3.3V	40	GND
37	GND	38	Reserved
35	GND	36	Reserved
33	+A	34	GND
31	-A	32	Two Wire Interface
29	GND	30	Two Wire Interface
27	GND	28	+1.5V
25	-B	26	GND
23	+B	24	+3.3V
21	GND	22	Reserved
19	Reserved	20	Reserved
17	Reserved	18	GND



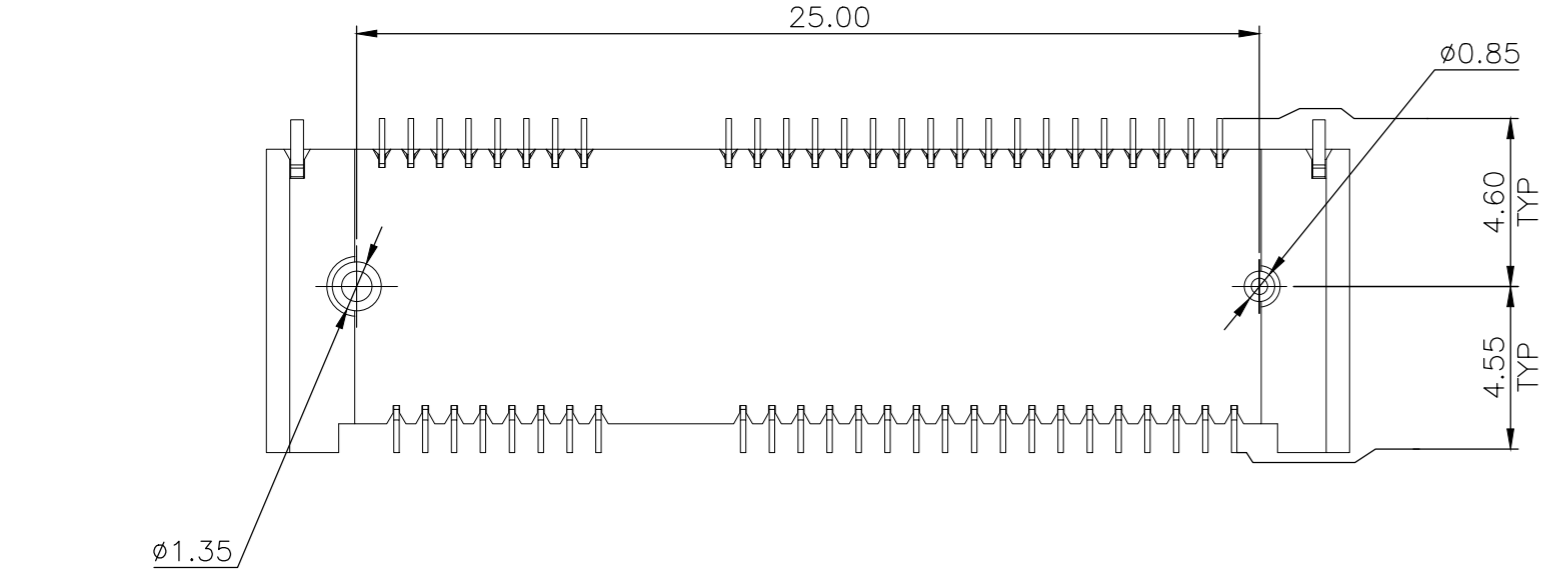
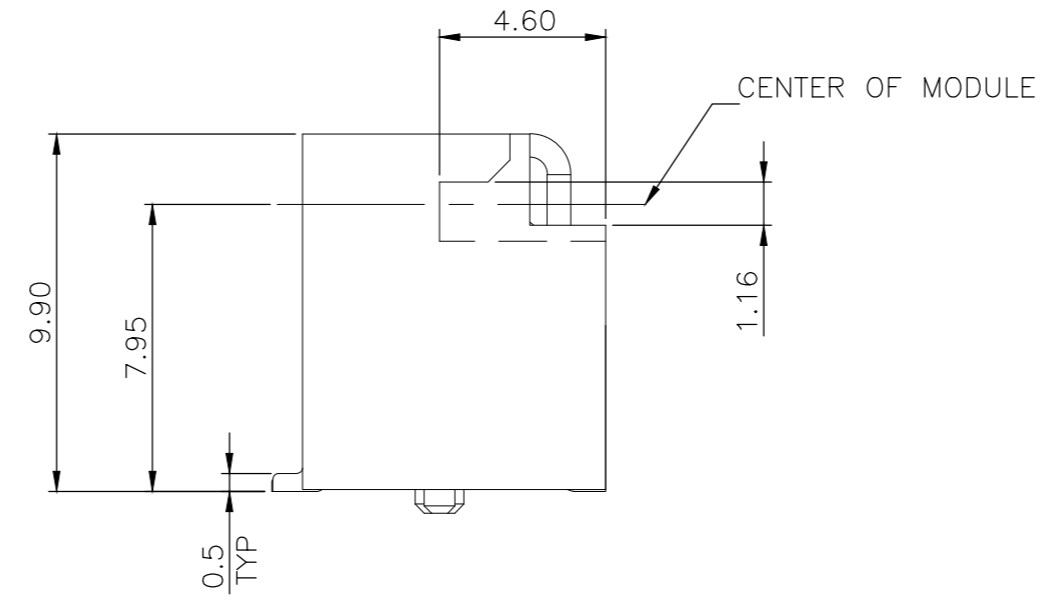
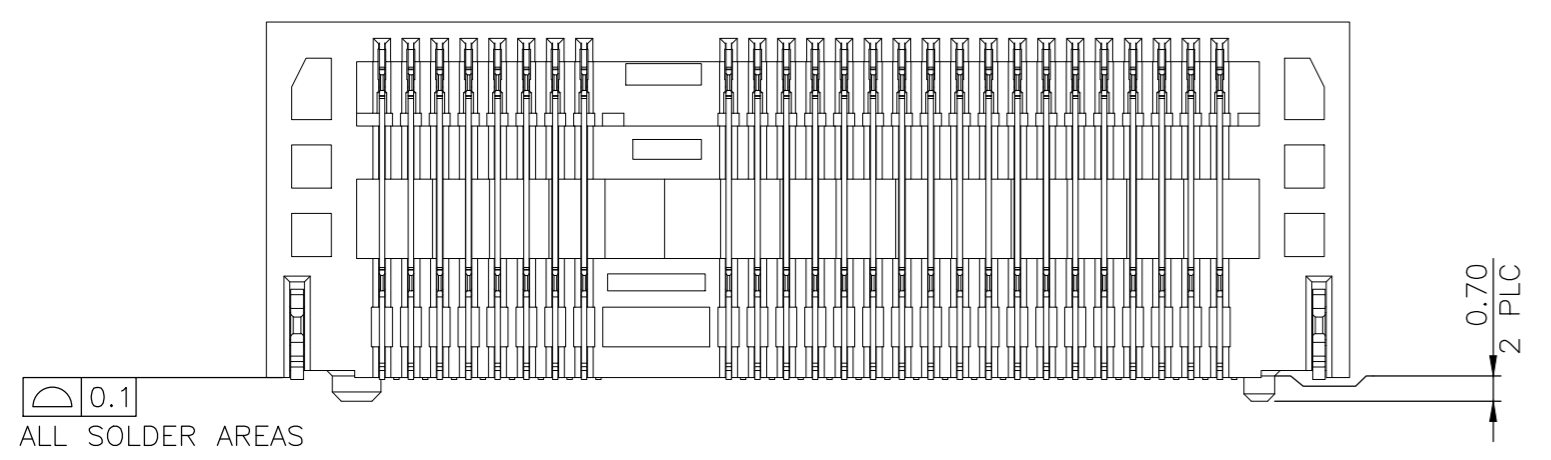
MECHANICAL KEY

15	GND	16	UIM_VPP
13	REFCLK+	14	UIM_RESET
11	REFCLK-	12	UIM_CLK
9	GND	10	UIM_DATA
7	CLKREQ#	8	UIM_PWR
5	COEX2	6	1.5V
3	COEX1	4	GND
1	WAKE#	2	3.3Vaux

MECHANICAL KEY

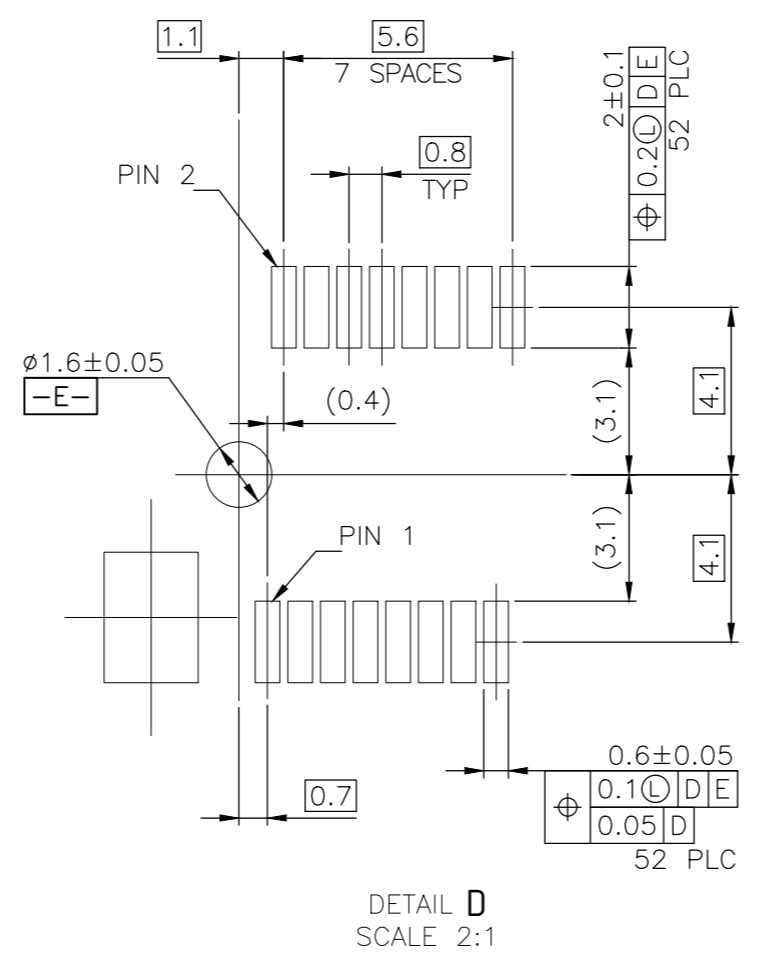
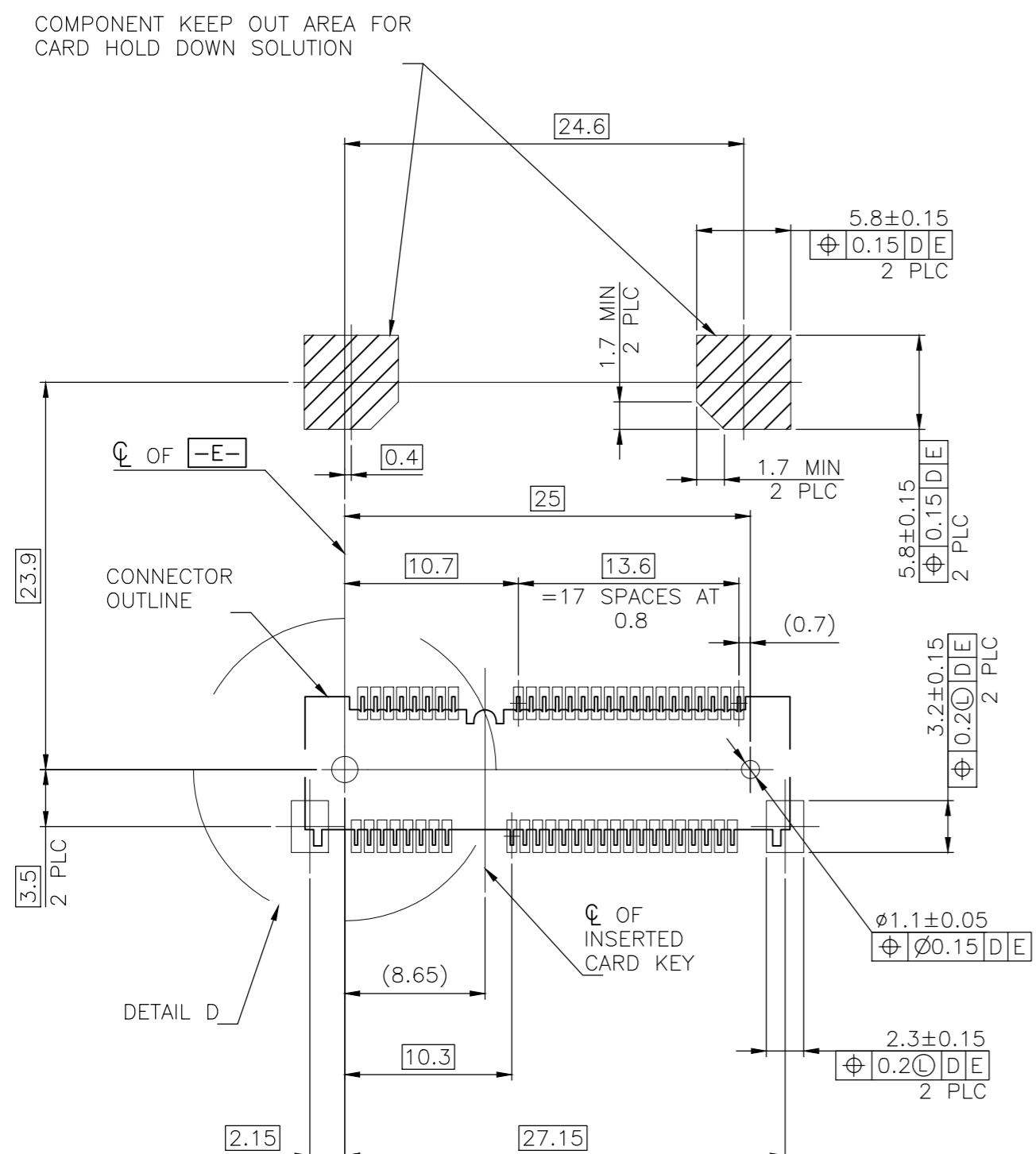
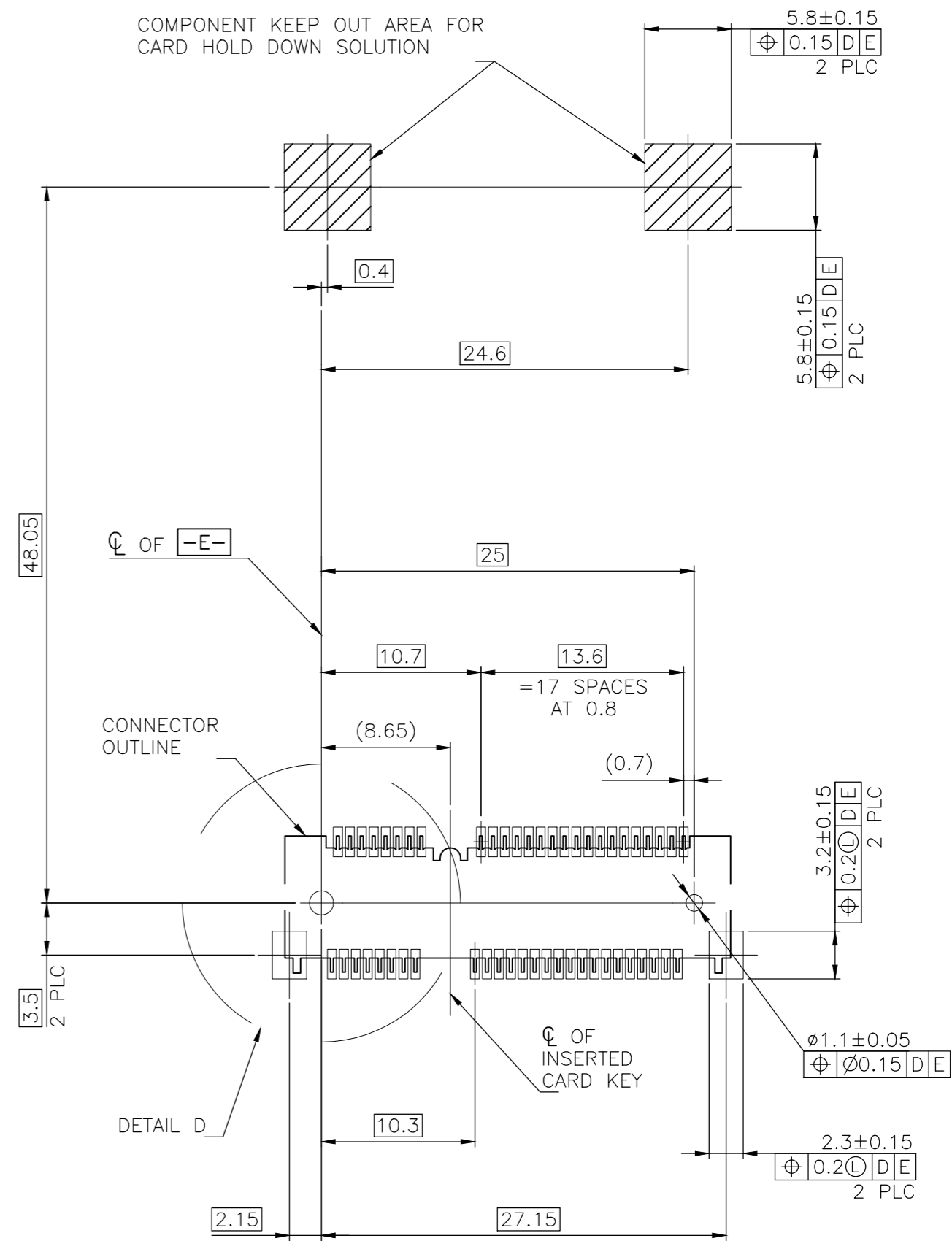
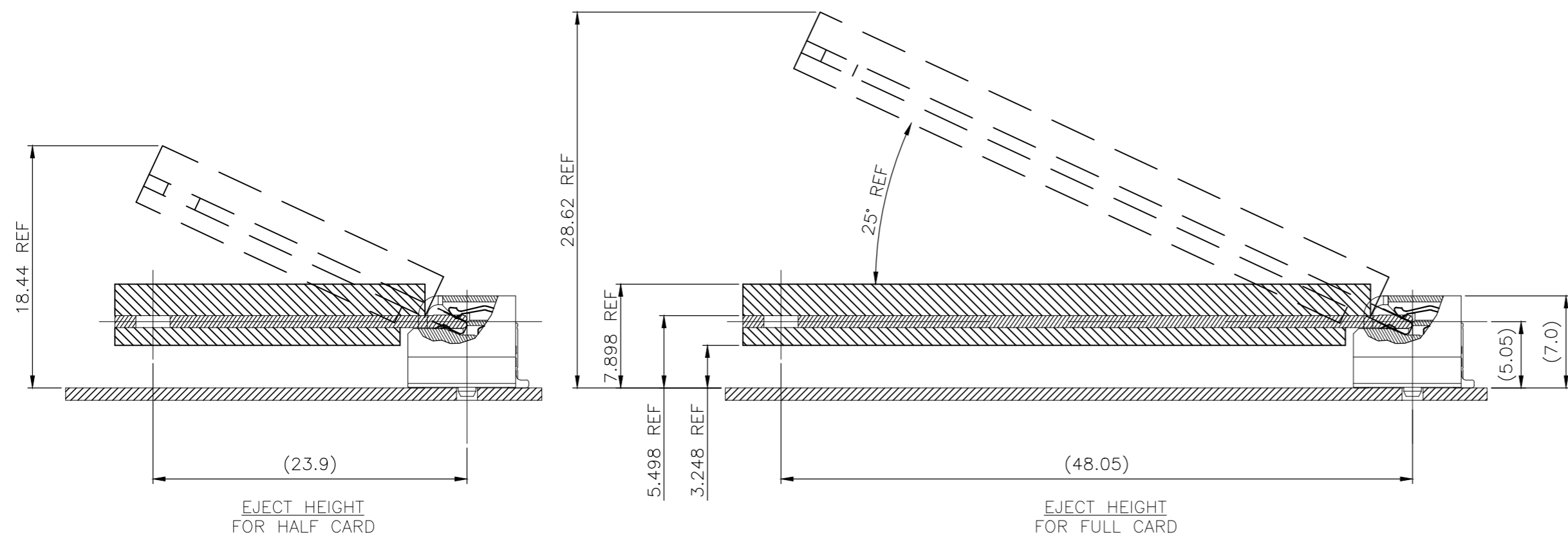
15	GND	16	Reserved
13	Reserved	14	Reserved
11	Reserved	12	Reserved
9	GND	10	Reserved
7	Reserved	8	Reserved
5	Reserved	6	+1.5V
3	Reserved	4	GND
1	Reserved	2	+3.3V

* Reserved for future UIM interface (if needed)



THIS DRAWING IS A CONTROLLED DOCUMENT.		DWN	A. WU	050CT2011		TE Connectivity		
DIMENSIONS: mm		CHK	S. CHIEN	050CT2011		NAME		
TOLERANCES UNLESS OTHERWISE SPECIFIED:		APVD	W. KODAMA	050CT2011		PRODUCT SPEC		
0 PLC ± - 1 PLC ± 0.3 2 PLC ± 0.2 3 PLC ± - 4 PLC ± - ANGLES ± 3°		APPLICATION SPEC		108-99102				
MATERIAL SEE NOTE		FINISH SEE NOTE		WEIGHT	2.95 GRAMS	SIZE	A2	
				CUSTOMER DRAWING		CAGE CODE	00779	
						DRAWING NO	C=1759546	
						RESTRICTED TO	-	
						SCALE	-	
						SHEET	1 of 5	
						REV	C	

REVISIONS				
P	LTR	DESCRIPTION	DATE	APVD
		SEE SHEET 1	-	-



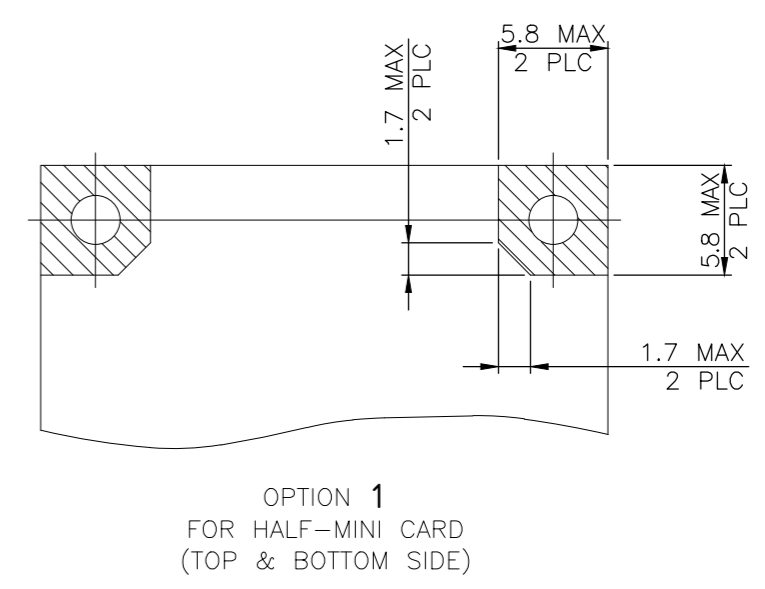
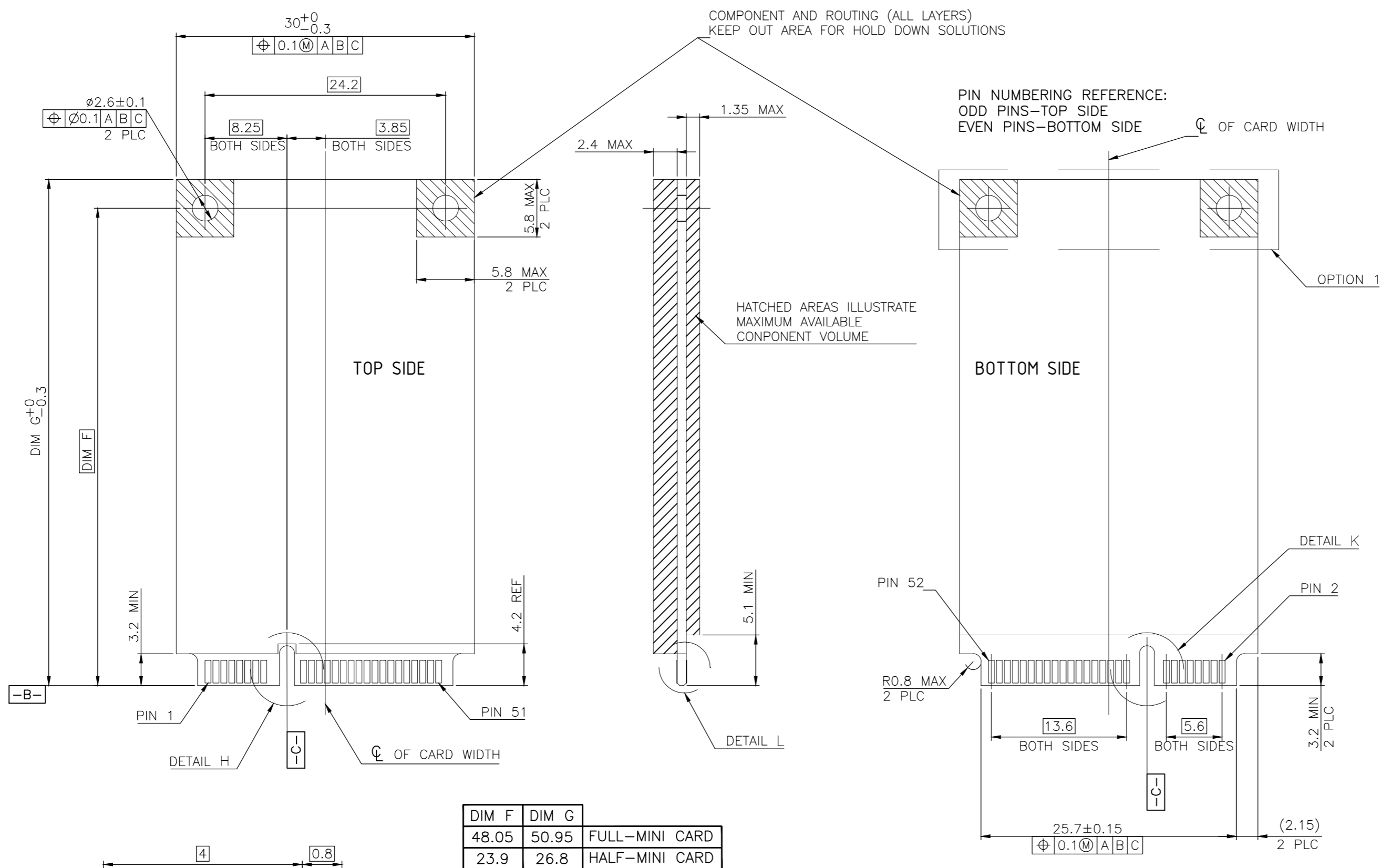
-D- IS THE TOP SURFACE OF PCB.
 RECOMMENDED P.C. BOARD PATTERN LAYOUT
 FOR FULL CARD CONNECTOR
 (TOP VIEW)

-D- IS THE TOP SURFACE OF PCB.
 RECOMMENDED P.C. BOARD PATTERN LAYOUT
 FOR HALF CARD CONNECTOR
 (TOP VIEW)

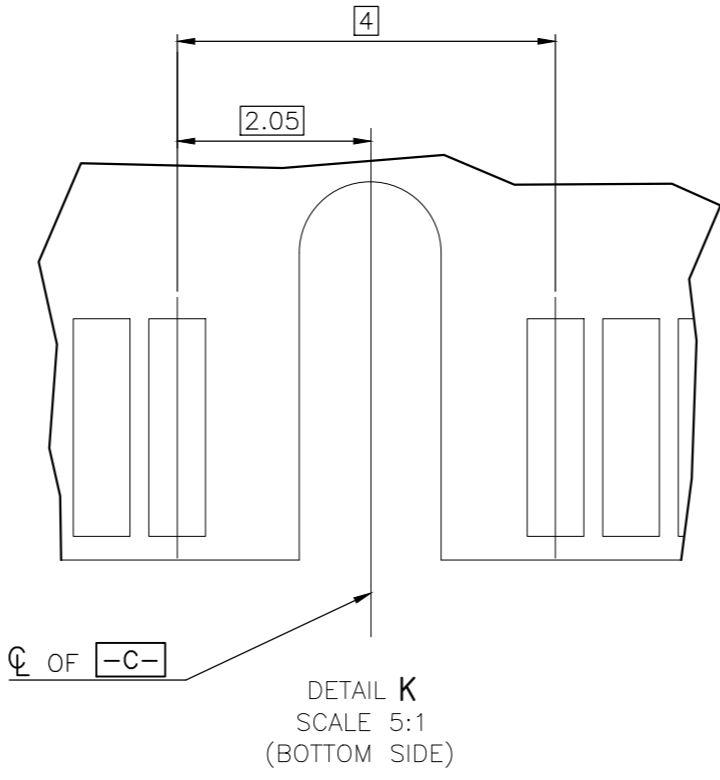
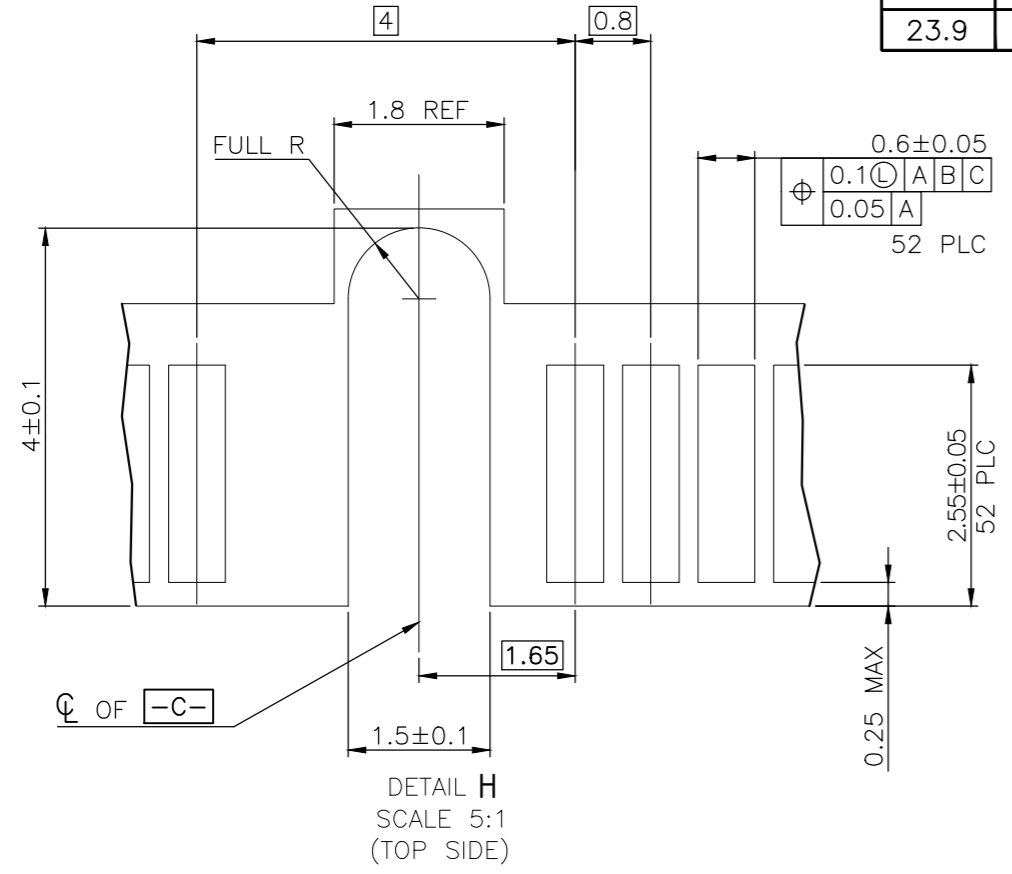
THIS DRAWING IS A CONTROLLED DOCUMENT.		DWN	31MAY2016	TE TE Connectivity	
DIMENSIONS: mm		CHK	-		
TOLERANCES UNLESS OTHERWISE SPECIFIED:		APVD	-	NAME	
0 PLC	± -	PRODUCT SPEC	-	2 IN 1 mSATA & PCI EXPRESS MINI CARD CONNECTOR, 9.9 MM HEIGHT	
1 PLC	± -	APPLICATION SPEC	-	SIZE	CAGE CODE
2 PLC	± -	WEIGHT	-	A2	00779
3 PLC	± -	CUSTOMER DRAWING	-	DRAWING NO	C=1759546
4 PLC	± -	SCALE	-	RESTRICTED TO	-
ANGLES	± -	SHEET	2 of 5	REV	C
FINISH	-	REV	-		

THIS DRAWING IS UNPUBLISHED. RELEASED FOR PUBLICATION
 © COPYRIGHT 2011 BY TE CONNECTIVITY. ALL RIGHTS RESERVED.

REVISIONS				
P	LTR	DESCRIPTION	DATE	APVD
		SEE SHEET 1	-	-



DIM F	DIM G	
48.05	50.95	FULL-MINI CARD
23.9	26.8	HALF-MINI CARD

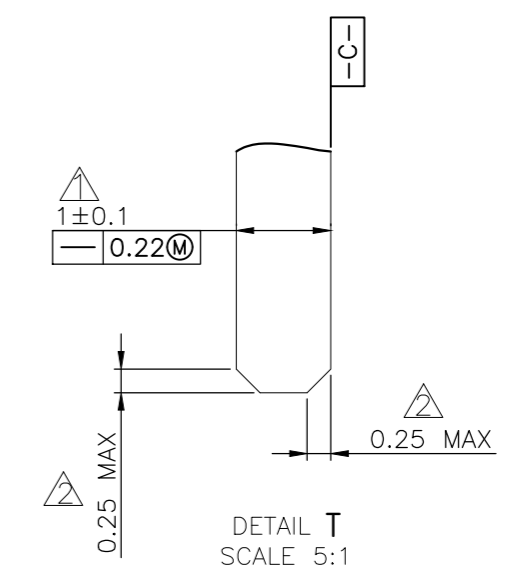
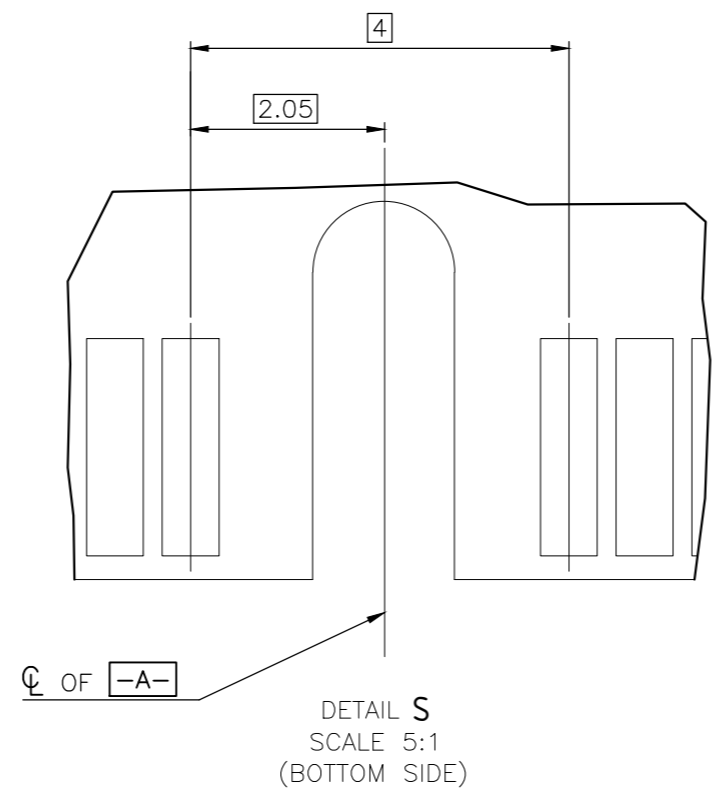
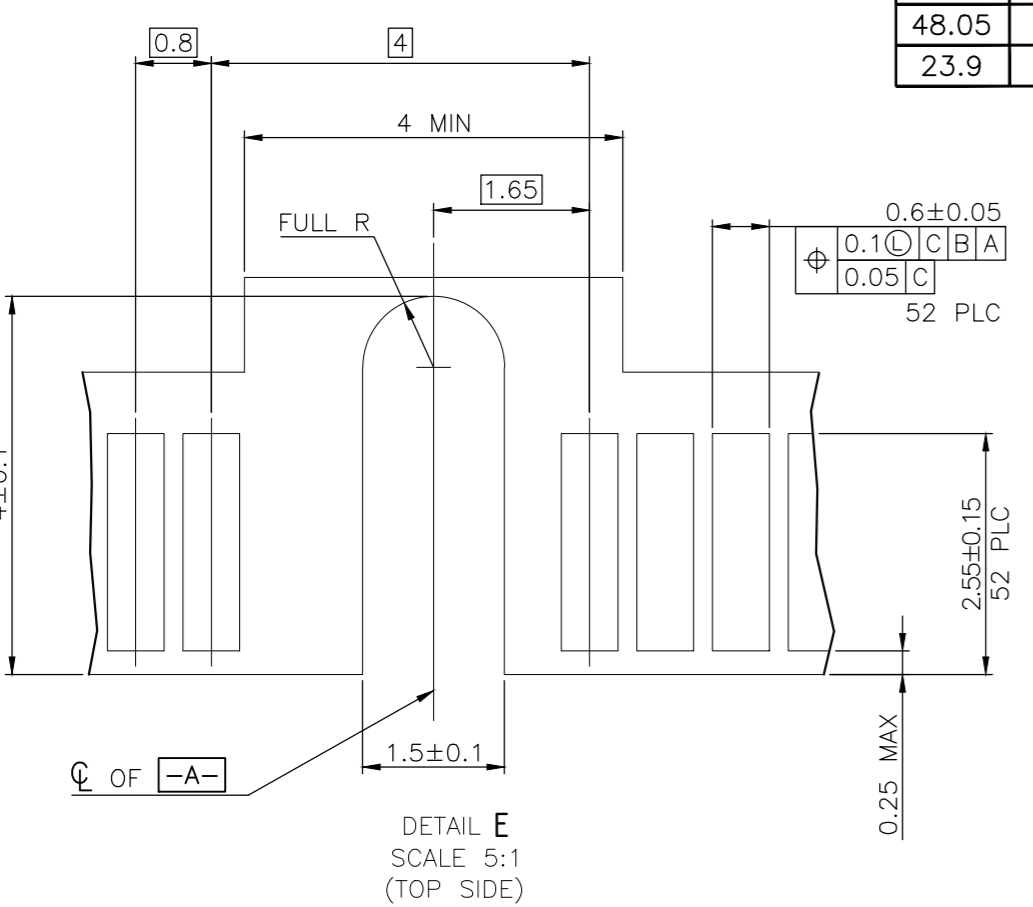
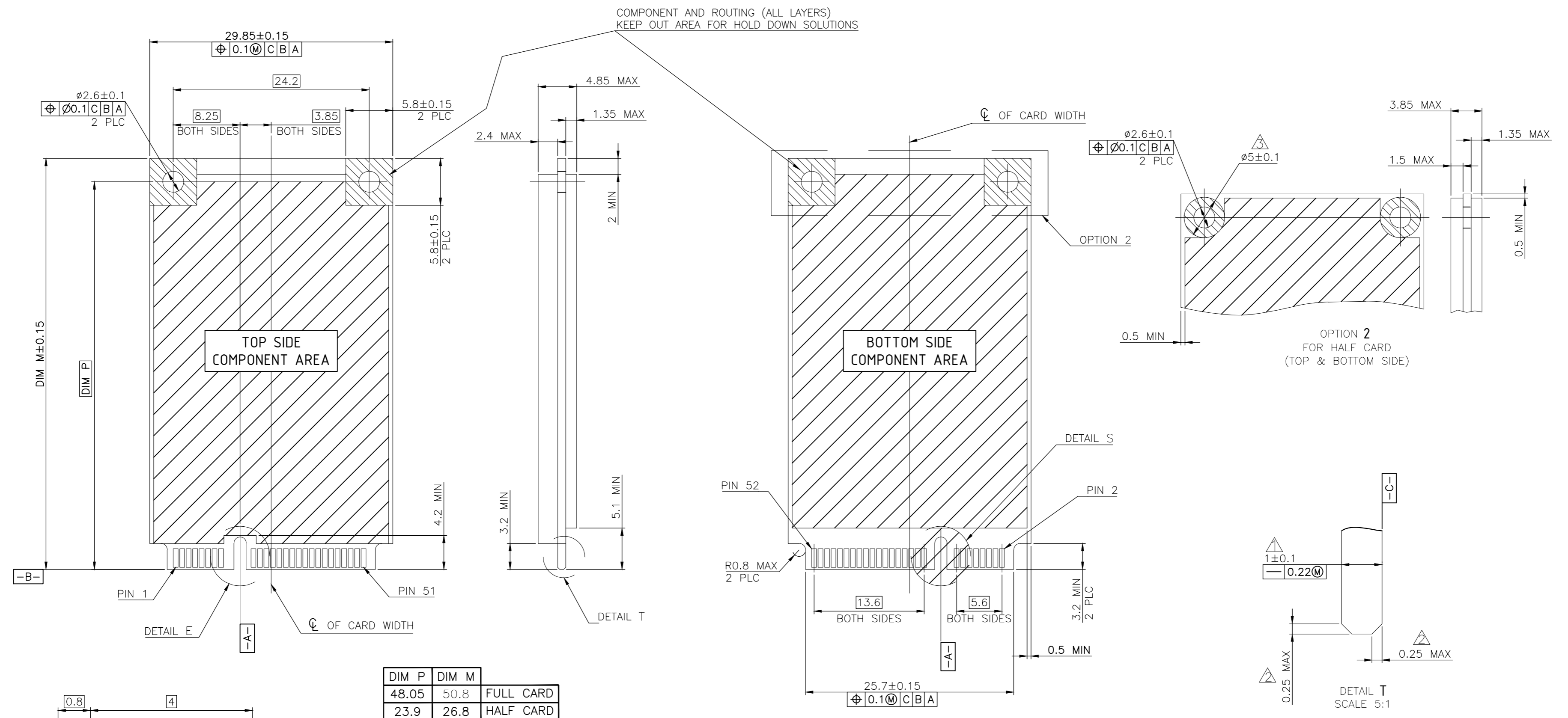


- NOTES:
- △ CARD THICKNESS APPLIES ACROSS TABS AND INCLUDES PLATING AND/OR METALLIZATION.
 - △ EDGE BEVEL MUST BE PRESENT AND FREE OF CUTTING BURRS FROM PCB AND CONTACT MATERIALS.

FOR PCI EXPRESS MINI CARD

THIS DRAWING IS A CONTROLLED DOCUMENT.		DWN	31MAY2016	TE TE Connectivity	
DIMENSIONS: mm		CHK	-		
TOLERANCES UNLESS OTHERWISE SPECIFIED:		APVD	-	NAME	
0 PLC	± -	PRODUCT SPEC	-	2 IN 1 mSATA & PCI EXPRESS MINI CARD CONNECTOR, 9.9 MM HEIGHT	
1 PLC	± -	APPLICATION SPEC	-	SIZE	CAGE CODE
2 PLC	± -	WEIGHT	-	A2	00779
3 PLC	± -	CUSTOMER DRAWING	-	DRAWING NO	C=1759546
4 PLC	± -	SCALE	-	RESTRICTED TO	-
ANGLES	± -	SHEET	3 OF 5	REV	C

REVISIONS				
P	LTR	DESCRIPTION	DATE	APVD
		SEE SHEET 1	-	-



- NOTES:
- ▲ CARD THICKNESS APPLIES ACROSS TABS AND INCLUDES PLATING AND/OR METALLIZATION.
 - ▲ EDGE BEVEL MUST BE PRESENT AND FREE OF CUTTING BURRS FROM PCB AND CONTACT MATERIALS.
 - ▲ COMPONENT AND ROUTING (TOP/BOTTOM LAYER) KEEP OUT AREA FOR HOLD DOWN SOLUTIONS.

FOR mSATA

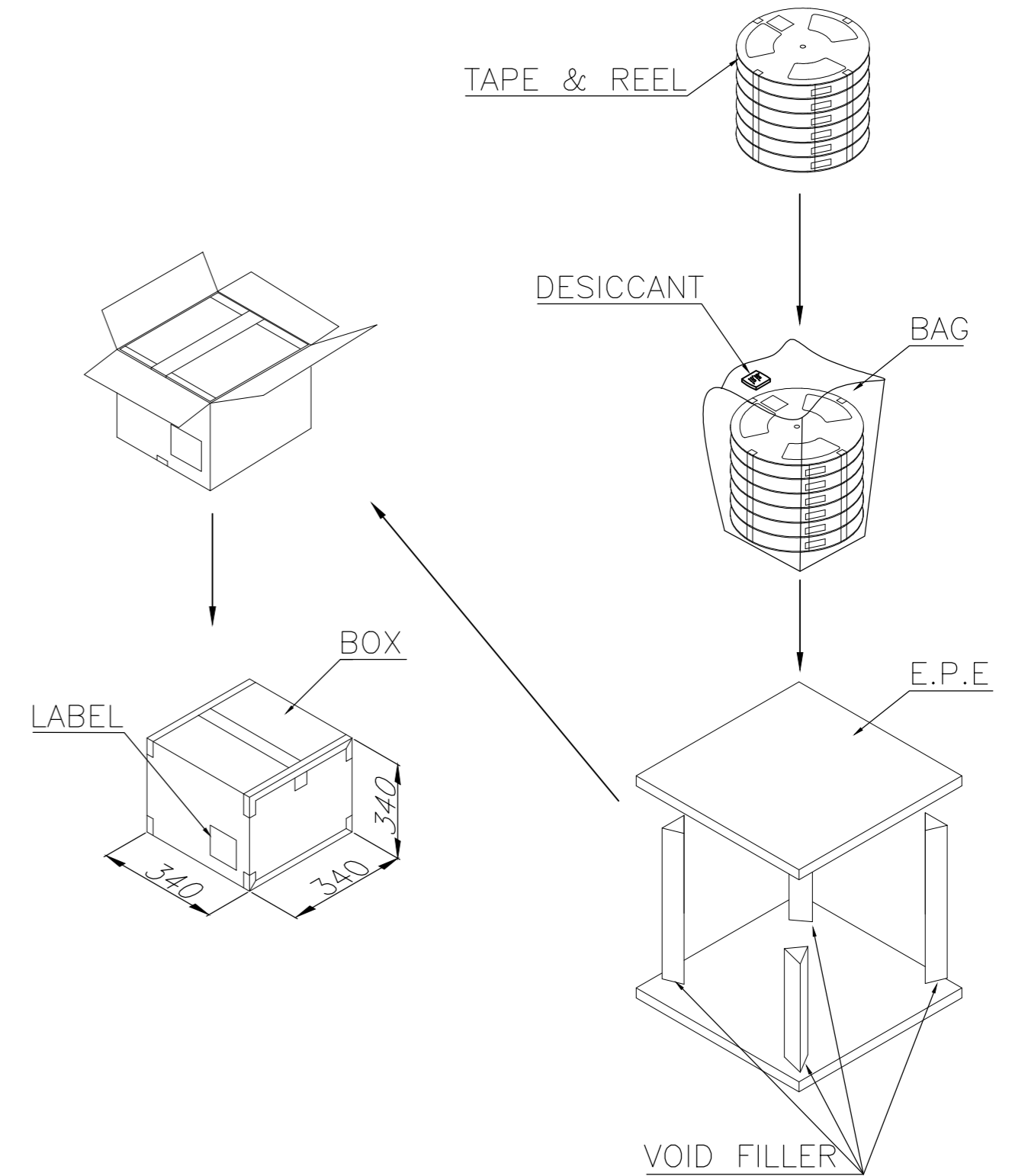
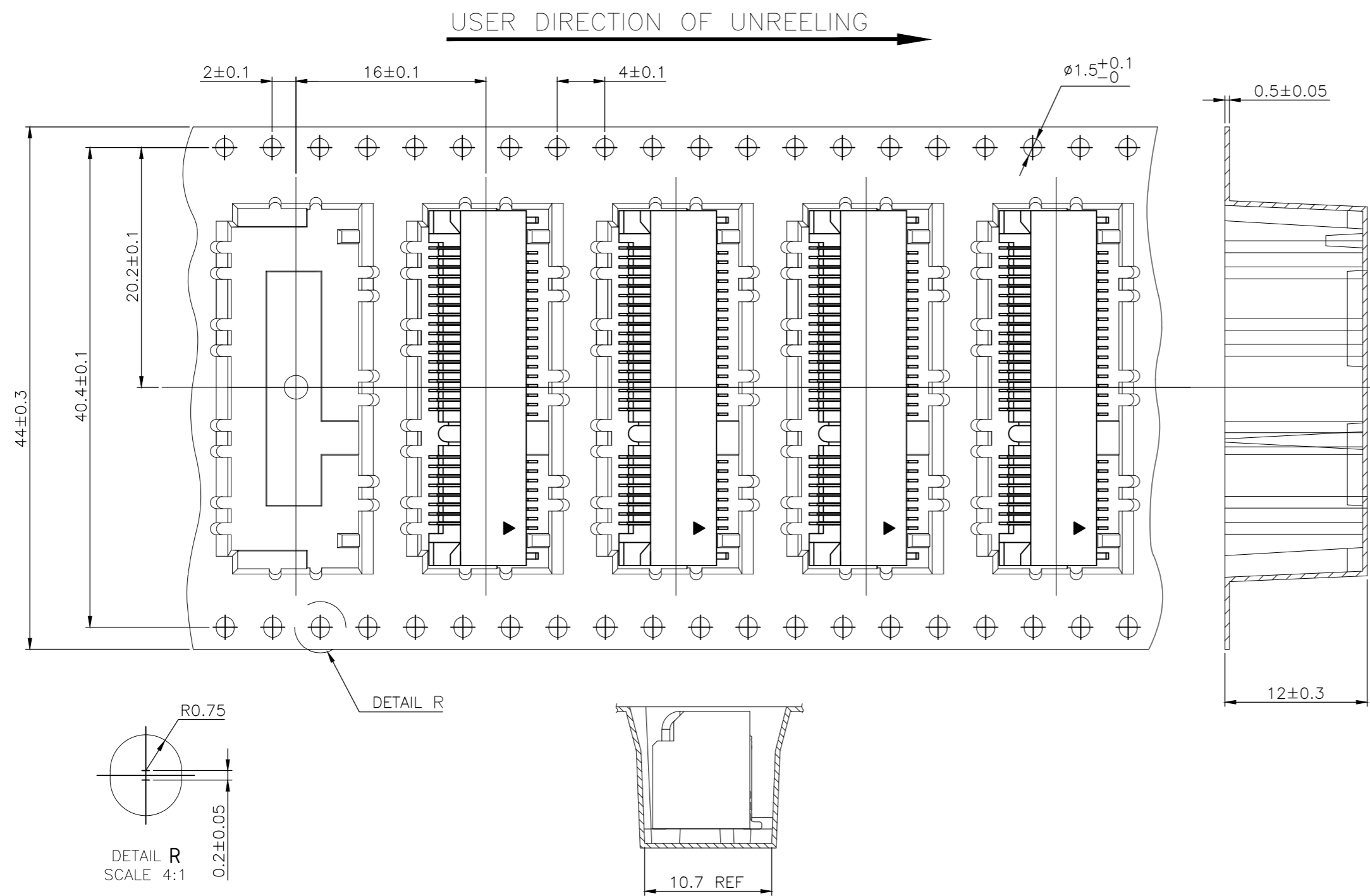
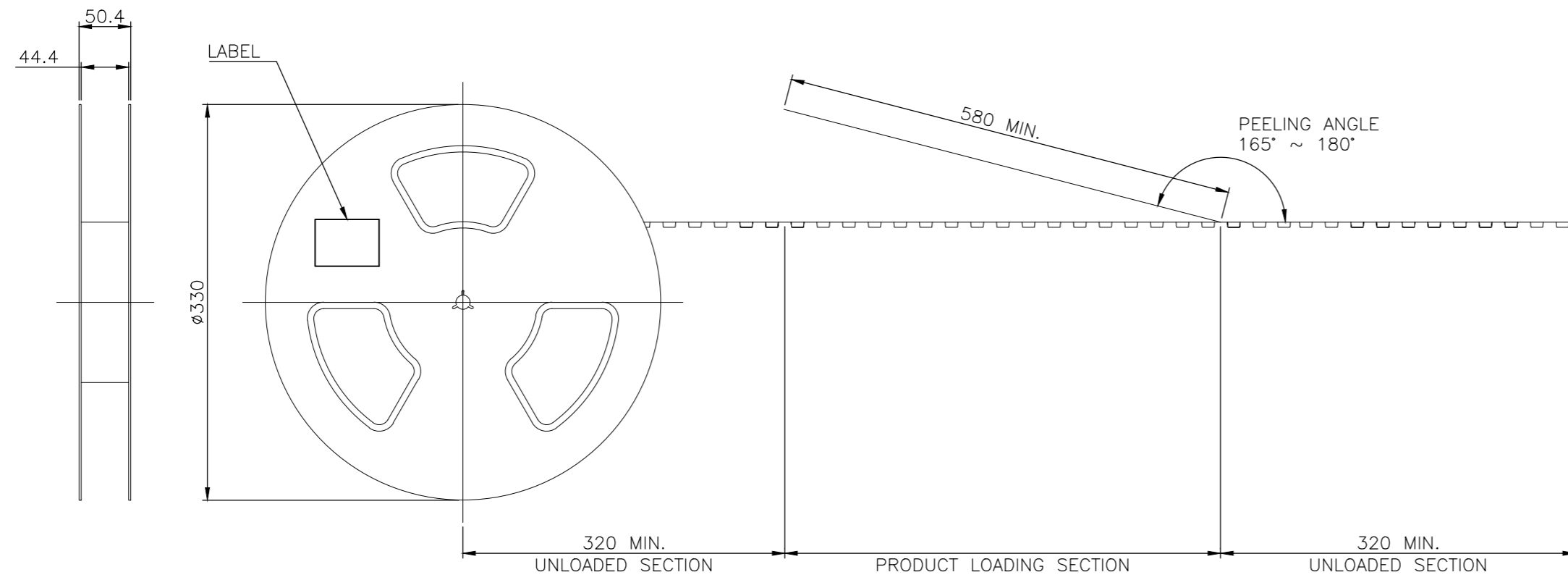
THIS DRAWING IS A CONTROLLED DOCUMENT.		DWN	31MAY2016	TE TE Connectivity	
DIMENSIONS: mm		CHK	-		
TOLERANCES UNLESS OTHERWISE SPECIFIED:		APVD	-	NAME	
0 PLC	± -	PRODUCT SPEC	-	2 IN 1 mSATA & PCI EXPRESS MINI CARD CONNECTOR, 9.9 MM HEIGHT	
1 PLC	± -	APPLICATION SPEC	-	SIZE	A2
2 PLC	± -	WEIGHT	-	CAGE CODE	00779
3 PLC	± -	CUSTOMER DRAWING	-	DRAWING NO	C=1759546
4 PLC	± -	SCALE	-	RESTRICTED TO	-
ANGLES	± -	SHEET	4 OF 5	REV	C
FINISH	-	REV	-		

THIS DRAWING IS UNPUBLISHED. RELEASED FOR PUBLICATION
 © COPYRIGHT 2011 BY TE CONNECTIVITY. ALL RIGHTS RESERVED.

REVISIONS				
P	LTR	DESCRIPTION	DATE	APVD
		SEE SHEET 1	-	-

NOTES:

- MATERIAL:
 BOX: FIBREBOARD, CORRUGATED, DOUBLE WALL.
 COVER TAPE: POLYSTYRENES, TRANSPARENT COLOR.
 CARRIER TAPE: POLYSTYRENES, TRANSPARENT COLOR.
 REEL: HIPS, BLUE COLOR.
 BAG: POLYETHYLENES, TRANSPARENT .
- EACH BAG SHALL BE INCLUDED DESICCANT.
- PEELING STRENGTH: 0.1 ~ 1.3 N (10 ~ 130 GRAMS).
- PEELING SPEED: 300 mm/min.



10.31 Kg	5.31 Kg	350	6	2100
GROSS WEIGHT	NET WEIGHT	PCS/TAPE	REELS/BOX	PCS/BOX

THIS DRAWING IS A CONTROLLED DOCUMENT.		DWN	31MAY2016		
DIMENSIONS: mm		CHK	-		
TOLERANCES UNLESS OTHERWISE SPECIFIED:		APVD	-	NAME	
0 PLC ± -		PRODUCT SPEC	-	2 IN 1 mSATA & PCI EXPRESS MINI CARD CONNECTOR, 9.9 MM HEIGHT	
1 PLC ± -		APPLICATION SPEC	-	SIZE	A2
2 PLC ± -		WEIGHT	-	CAGE CODE	00779
3 PLC ± -		CUSTOMER DRAWING	-	DRAWING NO	C=1759546
4 PLC ± -		SCALE	-	RESTRICTED TO	-
ANGLES ± -		SHEET	5 of 5	REV	C
FINISH		SCALE	-		

X-ON Electronics

Largest Supplier of Electrical and Electronic Components

Click to view similar products for [PCI Express/PCI Connectors](#) category:

Click to view products by [TE Connectivity](#) manufacturer:

Other Similar products are found below :

[UEX220-6U](#) [10039755-10110TLF](#) [1-1871239-2](#) [2170560-2](#) [10125756-980000LF](#) [EB220-3U](#) [10061913-120PLF](#) [GPCP146400111HR](#)
[GPCP442628110HR](#) [GPCP446200120HR](#) [GPCP245400111HR](#) [10082378-10000TLF](#) [87715-9256](#) [MDT580M03001](#) [0877159107](#)
[MDT580M01001](#) [10018783-11000MLF](#) [10018783-11101TLF](#) [10108777-10000ALF](#) [10141523-111T0LF](#) [10145445-10003MLF](#)
[PSASF2130311TR](#) [PSASF3130411TR](#) [7-1734774-7](#) [3-1761465-1](#) [10018784-10111TLF](#) [10039755-10111TLF](#) [10039755-10112TLF](#)
[10018783-10211TLF](#) [10018784-10211TLF](#) [10018784-10212TLF](#) [1761465-2](#) [1871058-1](#) [5-1761465-4](#) [10018783-10200MLF](#) [10018783-](#)
[10213TLF](#) [10018784-10210TLF](#) [10018784-11113TLF](#) [10025026-10001TLF](#) [5145154-8](#) [1871058-4](#) [2041119-2](#) [10018783-10212TLF](#)
[10018784-10102TLF](#) [10018783-11200TLF](#) [SM3ZS067U215-NUT1-R2500](#) [10123371-001TRLF](#) [10018784-10110TLF](#) [6-1734774-7](#) [6-](#)
[1734774-9](#)