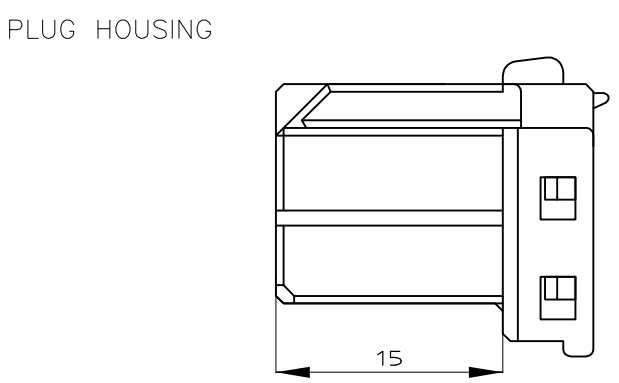
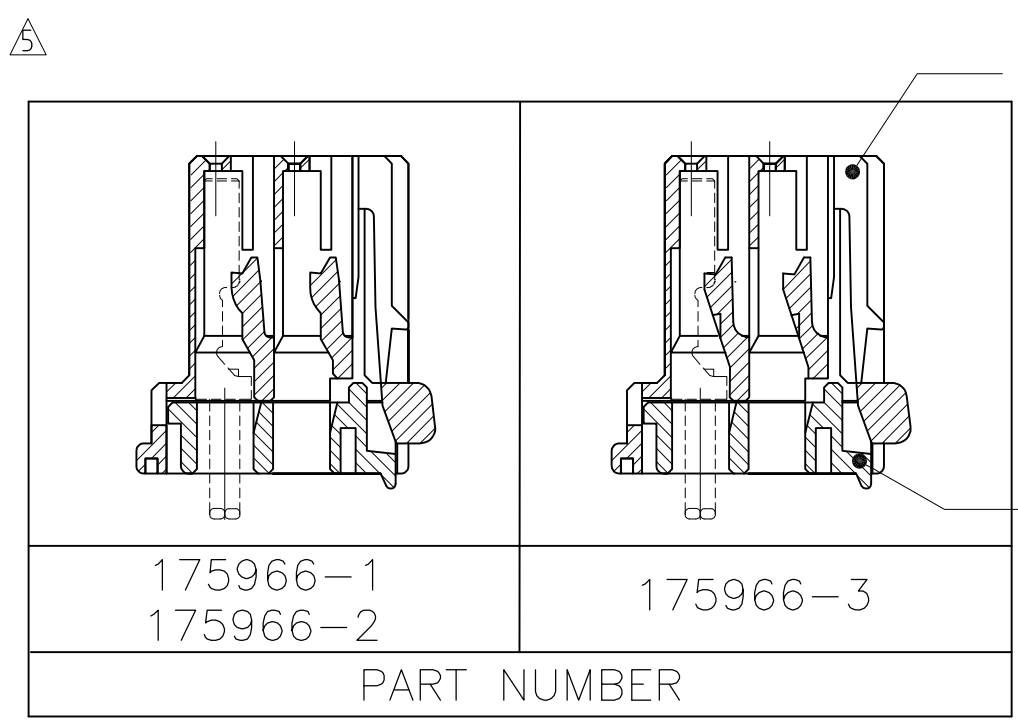
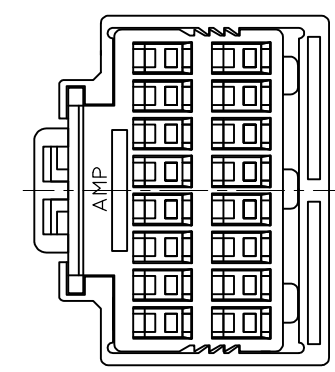
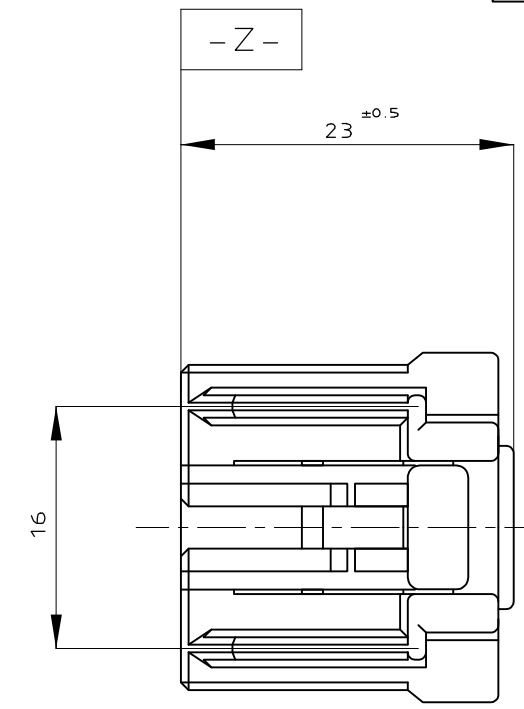
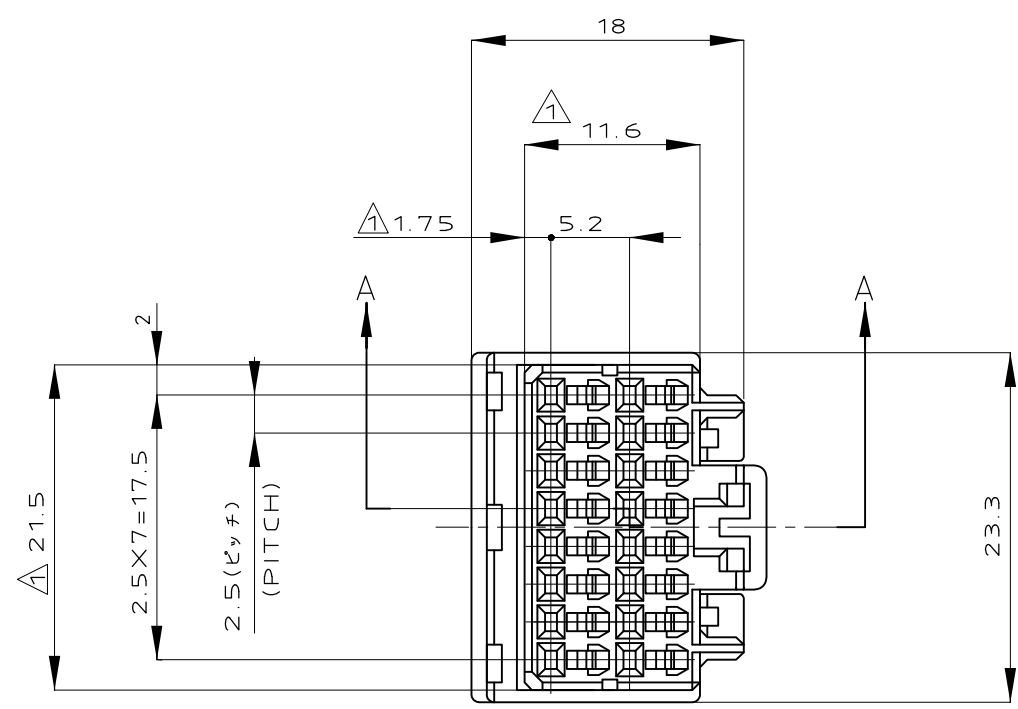


THIS DRAWING IS UNPUBLISHED. RELEASED FOR PUBLICATION
 © COPYRIGHT - By - ALL RIGHTS RESERVED.

LOC	DIST	REVISIONS 変更					
J	-	P	LTR	DESCRIPTION	DATE	DWN	APVD
		B2		REVISED PER ECO-11-005140	28MAR11	RK	HMR



175966-1 175966-2	175966-3
PART NUMBER	

A-A

TOLERANCE UNLESS OTHERWISE SPECIFIED: 一般公差

0 < x ≤ 10	: ±0.2
10 < x ≤ 30	: ±0.25
30 < x ≤ 100	: ±0.3
ANGLE ; 角度	: ±3°

THIS DRAWING IS A CONTROLLED DOCUMENT.

DWN K. SUZUKI	24OCT89	TE Connectivity	NAME 040 SERIES MULTILOCK I/O CONNECTOR MK-II 16POSITION PLUG HOUSING ASSEMBLY
CHK Y. MATSUSAKA	24DEC89		
APVD M. NOGUCHI	24DEC89		
PRODUCT SPEC 製品規格 108-5281			
MATERIAL 材料 PBT	FINISH 仕上 COLOR HOUSING; SEE TABLE PLATE; NATURAL	WEIGHT 4.0 g	RESTRICTED TO -
DIMENSIONS: 単位: 概 mm TOLERANCES UNLESS OTHERWISE SPECIFIED: 一般公差 0 PLC ±- 1 PLC ±- 2 PLC ±- 3 PLC ±- 4 PLC ±- ANGLES ±-		APPLICATION SPEC 取付適用規格 108-5281	SIZE A3 CAGE CODE 00779 DRAWING NO C-175966
CUSTOMER DRAWING		SCALE 尺度 2:1	SHEET 1 OF 1 REV B2

- △1 MUST BE KEPT BETWEEN [-Z-] AND 2mm
 - 2 THE MATING CAP HSG. PART NUMBER;175615,175976
 - 3 APPLIED CONTACT PART NUMBER;173681
 - 4 APPLICABLE PRODUCT SPEC NO.;108-5281
 - △5 THIS PLUG HOUSING HAVE TWO KINDS OF LANCE TYPE.
- △1 [-Z-] 面より2mmの範囲で測定。
 - 2 かん合相手ハウジング型番 ;175615,175976
 - 3 内装するリセプタクルコンタクト型番 ;173681
 - 4 適用製品規格番号 ;108-5281
 - △5 本プラグハウジングは2タイプのランス形状がある

BLACK	175966-3
BLACK	175966-2
NATURAL	175966-1
COLOR	PART NUMBER

X-ON Electronics

Largest Supplier of Electrical and Electronic Components

Click to view similar products for [Automotive Connectors](#) category:

Click to view products by [TE Connectivity](#) manufacturer:

Other Similar products are found below :

[003-018-000](#) [600858](#) [60403001](#) [60993906-B](#) [60993913-B](#) [629515004020001](#) [M83723/71R1808N L/C](#) [M902-2131](#) [M902-2161](#) [M902-2344](#)
[72.330.1035.1](#) [73.353.4028.0](#) [F118010](#) [F119300-B](#) [F132210](#) [F166900](#) [F180100](#) [F258300](#) [F258300-B](#) [F294300-B](#) [F339100](#) [F339700](#)
[F358300-B](#) [F374110](#) [F407400](#) [F412210](#) [F444110](#) [F487000](#) [F495100](#) [F500900-B](#) [F509500B-B](#) [770444-1](#) [827153-1](#) [881735-1](#)
[8N1515-32-24P](#) [9-1326729-8](#) [925467-1](#) [925474-1](#) [928905-1](#) [936398-2](#) [964562-4](#) [964731-2](#) [968782-1](#) [GT17SA-8DS-HU](#) [GT17VS-10DP-](#)
[5.2CF](#) [98315-0001](#) [98315-0010](#) [98891-1012](#) [98895-2014](#) [98936-1039](#)