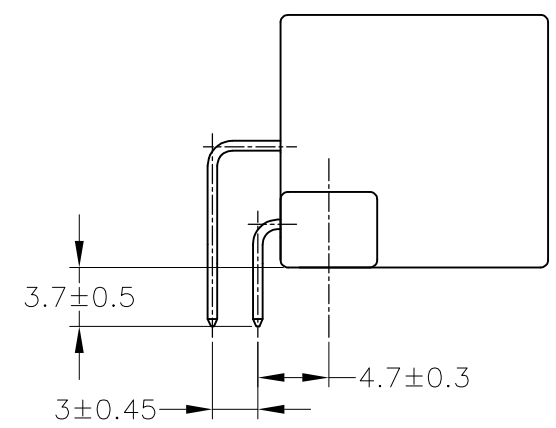
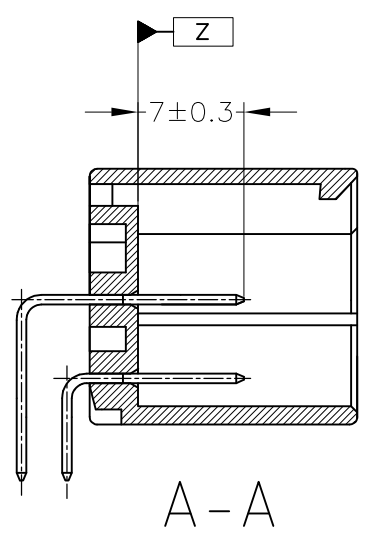
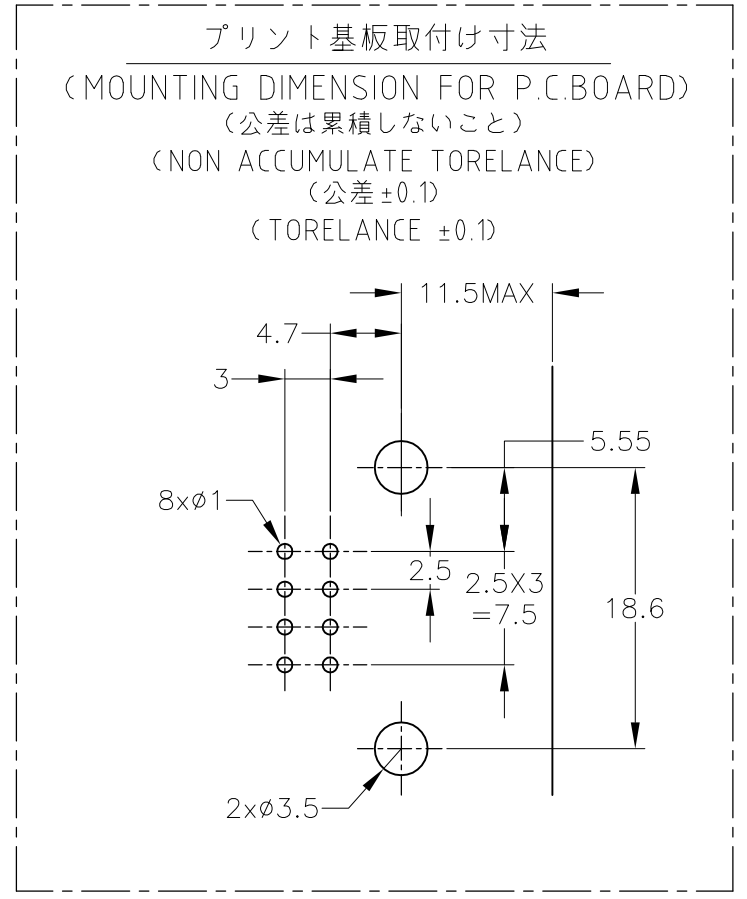
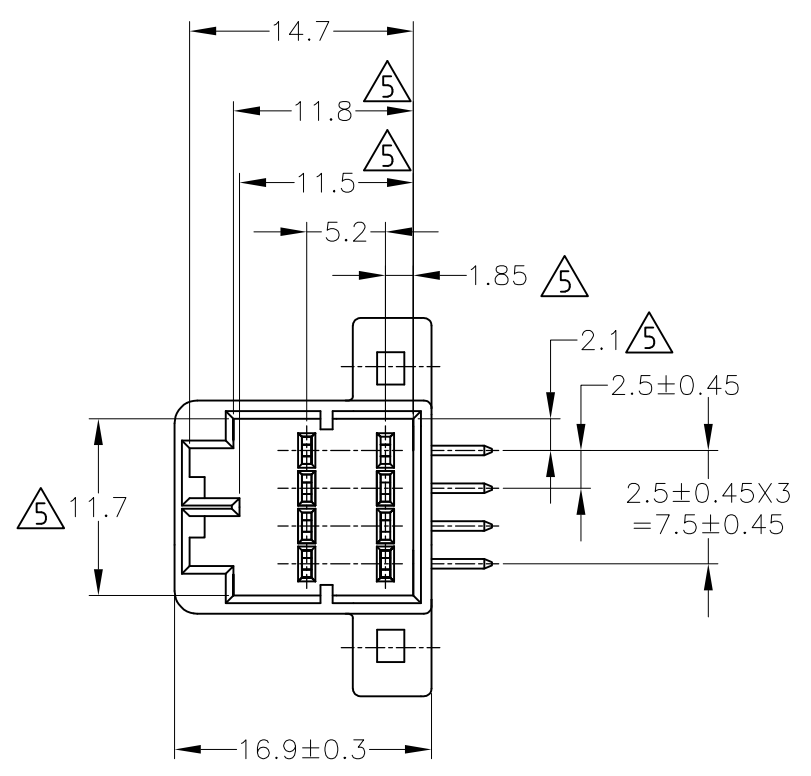
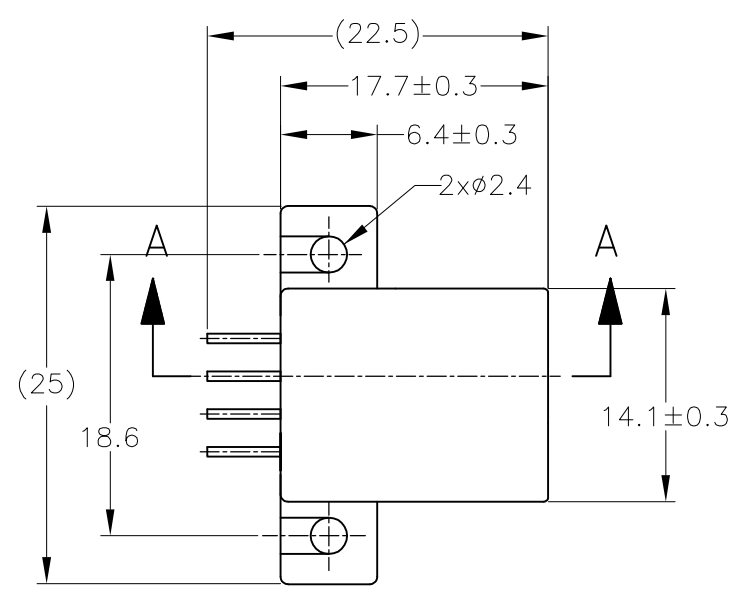
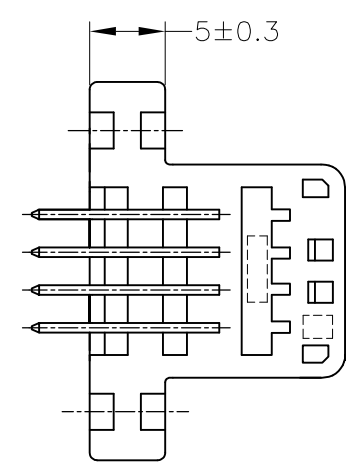


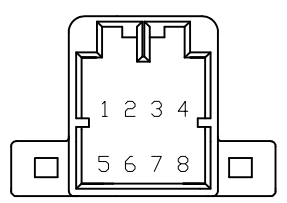
THIS DRAWING IS UNPUBLISHED. RELEASED FOR PUBLICATION OCT. 2016.
 © COPYRIGHT 2016 Tyco Electronics Japan G.K. ALL RIGHTS RESERVED.

REVISIONS					
P	LTR	DESCRIPTION	DATE	DWN	APVD
	D8	REVISED	ECR-16-003341	14OCT2016	KF HY



- 適用プリント基板厚;1.6mm
 - 推奨取付ネジ; JIS B1115, B1122 タッピングネジ
ナベ2種呼び径3,長さ6mm以上(締付トルク; 0.392N·m 以下)
 - 嵌合相手ハウジング; 175964
 - 適用製品規格番号; 108-5281
- △ Z 面より2mmの範囲で測定
 △ 回路番号; 右図参照

- APPLICABLE P.C.B BOARD THICKNESS; 1.6mm
 - RECOMMENDED MOUNTING SCREW 3mm DIA 6mm LENGTH (MIN)
TAPPING SCREW SPECIFIED IN JIS B1115, B1122
(TIGHTENING TORQUE; 0.392N·m MAX)
 - THE MATING PLUG HSG. PART NUMBER; 175964
 - APPLICABLE PRODUCT SPEC NO.; 108-5281
- △ TO BE MEASURED WITHIN 2mm FROM Z
 △ CIRCUIT NUMBER



TOLERANCE UNLESS OTHERWISE SPECIFIED: 一般公差

0 < x ≤ 10	: ±0.2
10 < x ≤ 30	: ±0.25
30 < x ≤ 100	: ±0.3

ANGLE ; 角度 : ±3°

PRE-TIN X 5				
SELECTIVE-TIN (MATTE)	SELECTIVE-GOLD X 3	4, 7, 8	BLACK 黒色	5175973-3
SELECTIVE-TIN (MATTE)	SELECTIVE-GOLD X 8	1~8	BLACK 黒色	1-5175973-2
SELECTIVE-TIN (MATTE)	SELECTIVE-TIN (BRIGHT)	— / —	BLACK 黒色	175973-4
PRE-TIN X 5				
TIN-LEAD	SELECTIVE-GOLD X 3	4, 7, 8	BLACK 黒色	175973-3
PRE-TIN		— / —	BLACK 黒色	175973-2
PRE-TIN		— / —	GRAY 灰色	175973-1
半田付け部 SOLDERING SIDE	接触部側 CONTACT SIDE			
FINISH OF CONTACT コンタクト仕上げ		CIRCUIT NO OF GOLD PLATED CONTACT △ 金メッキ端子使用回路番号	HOUSING COLOR ハウジング色	PN 型番

THIS DRAWING IS A CONTROLLED DOCUMENT.

DIMENSIONS: 単位: 耗 mm	TOLERANCES UNLESS OTHERWISE SPECIFIED: 一般公差	DWN T.SHINOHARA 12FEB02	TE Connectivity	
		CHK A.YAMAGUCHI 12FEB02		
		APVD K.BETSUI 12FEB02	NAME 名称	
		PRODUCT SPEC 製品規格	040 SERIES MULTI-LOCK I/O CONN MK-II	
		APPLICATION SPEC 取付適用規格	8 POSITION CAP HOUSING ASSEMBLY	
MATERIAL 材料	FINISH 仕上	WEIGHT 3.25 g	SIZE A3	CAGE CODE 00779
HSG: PBT	SEE TABLE	CUSTOMER DRAWING	DRAWING NO 番号 C-175973	RESTRICTED TO
CONT: BRASS			SCALE 尺度 2:1	SHEET 1 OF 1
				REV D8

X-ON Electronics

Largest Supplier of Electrical and Electronic Components

Click to view similar products for [Automotive Connectors](#) category:

Click to view products by [TE Connectivity](#) manufacturer:

Other Similar products are found below :

[003-018-000](#) [600858](#) [60403001](#) [60993906-B](#) [60993913-B](#) [629515004020001](#) [M83723/71R1808N L/C](#) [M902-2131](#) [M902-2161](#) [M902-2344](#)
[72.330.1035.1](#) [73.353.4028.0](#) [F118010](#) [F119300-B](#) [F132210](#) [F166900](#) [F180100](#) [F258300](#) [F258300-B](#) [F294300-B](#) [F339100](#) [F339700](#)
[F358300-B](#) [F374110](#) [F407400](#) [F412210](#) [F444110](#) [F487000](#) [F495100](#) [F500900-B](#) [F509500B-B](#) [770444-1](#) [827153-1](#) [881735-1](#)
[8N1515-32-24P](#) [9-1326729-8](#) [925467-1](#) [925474-1](#) [928905-1](#) [936398-2](#) [964562-4](#) [964731-2](#) [968782-1](#) [GT17SA-8DS-HU](#) [GT17VS-10DP-](#)
[5.2CF](#) [98315-0001](#) [98315-0010](#) [98891-1012](#) [98895-2014](#) [98936-1039](#)